

cod.DW138E

data:19/02/2026

**Catalogo ricambi
Spare parts catalog
Catalogue de pièces détachées
Ersatzteilkatalog
Catálogo de repuestos
Catálogo de peças de reposição
Каталог запасных частей**

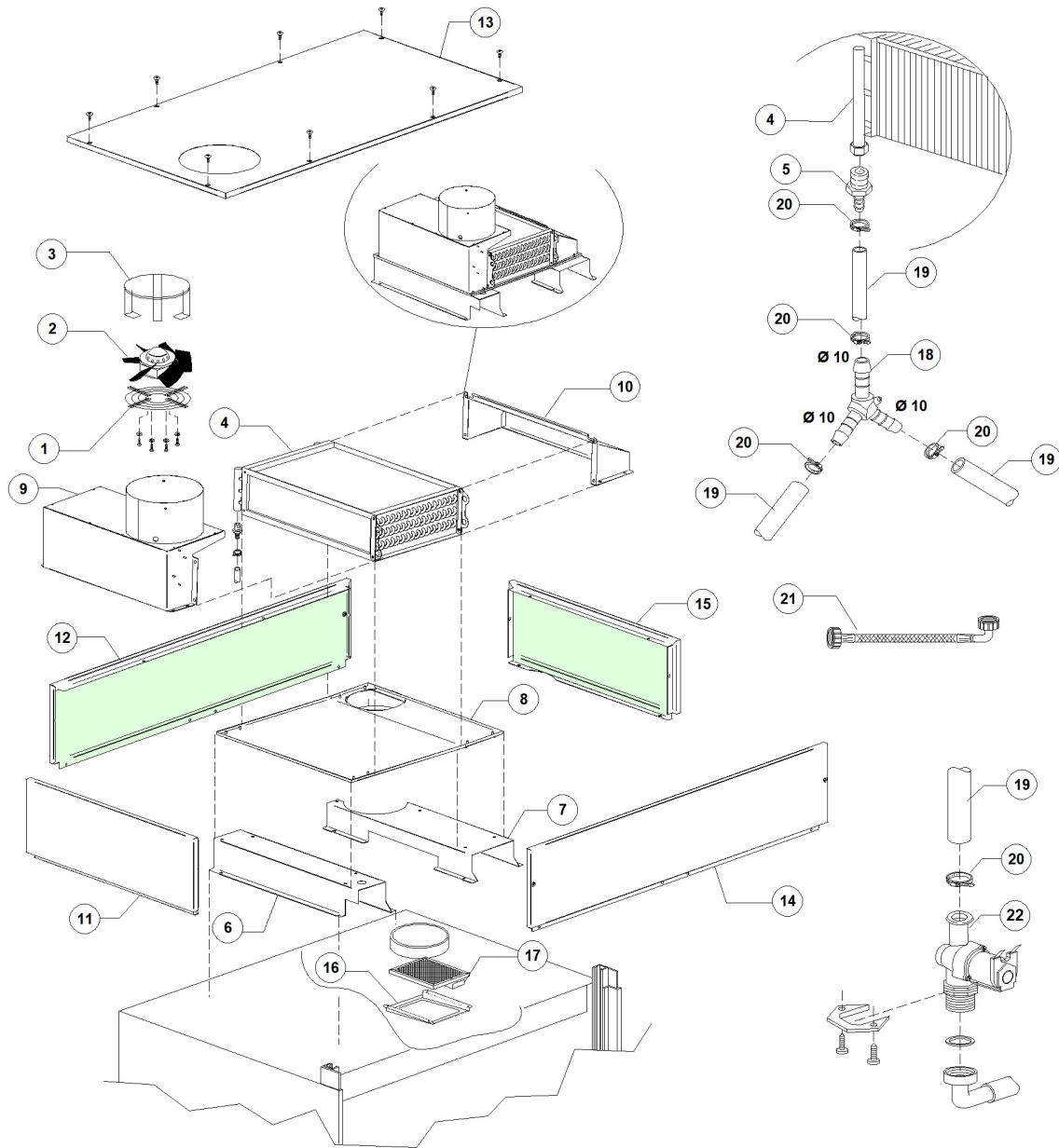
LP3 STR PLUS PS DDE 380-400/3N/50



S/N:DWR1005477



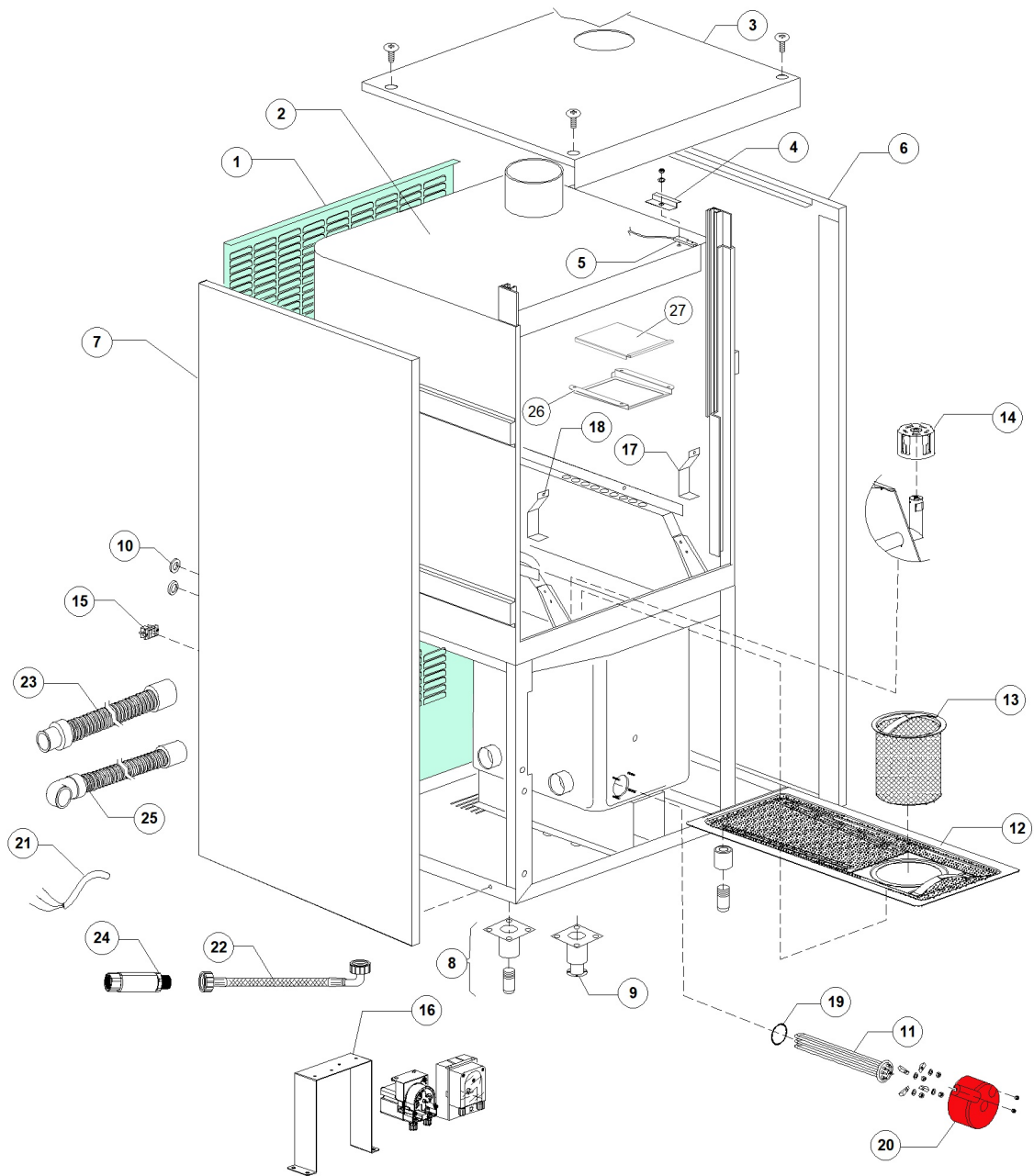
LP3 STR PLUS PS DDE 380-400/3N/50 - DWR1005477 - Heat recovery - DW138E



LP3 STR PLUS PS DDE 380-400/3N/50 - DWR1005477 - Heat recovery - DW138E

Pos.	Code	Descrizione	Description
1	DW96121	GRIGLIA SUPPORTO MOTOVENTILATORE	MOTOR FAN SUPPORT GRID
2	DW96120	MOTOVENTILATORE 230/400 V 50-60 HZ	230/400V 50/60HZ FAN MOTOR
3	DW96014	SUP.VENTILATORE E PROT.CAMINO GR/06	
4	DW96519	BATTERIA RECUPERATORE GRANULI - LP 2011	GRANULES HEAT RECOVERY
5	DW12039	PORTAGOMMA M 1/2 diam.10 PG260	MALE HOSE ADAPTER 1/2 diam.10 PG260
6	DW91211	OMEGA MANDATA TR LP2-3-4	
7	DW91210	OMEGA ASPIRAZIONE TR LP2-3-4	
8	DW91200	ASSIEME FONDO TR LP2-3-4	HEAT RECOVERY BOTTOM ASSEMBLY LP2-3-4
9	DW91204	ASSIEME CARTER SUPERIORE TR LP2-3-4	
10	DW91212	CARTER ASPIRAZIONE TR LP2-3-4	
11	DW91213	FIANCO SX-DX TR LP2-3-4	
15	DW91213	FIANCO SX-DX TR LP2-3-4	
16	DW91126	SUPPORTO FILTRO (91125) TR P2-3-4S (N)	FILTER HOLDER
17	DW91128	ASSIEME FILTRO BATTERIA TR LP-2-3-4	HEAT RECOVERY COIL FILTER P2S-P3S-P4S8
18	DW540090	DERIV. 3VIE Y D10 PLASTICA	PLASTIC Y-PIECE D.10
19	DW2907352	TUBO GOMMA PVC WRAS BT	PVC WRAS RUBBER HOSE
20	DW11800	FASCETTA AISI 430 8/16 LINER LUNGO	CLAMP 8/16 AISI 430
21	DW10726	CANNA CARICO PICC. WRAS m1,5x3/4 EN61770	LOAD PIPE WRAS M1,5x3/4 EN61770
22	DW10703	ELETTROV. SING. H20 230V DIS.LS036	SINGLE SOLENOID VALVE H20 230V

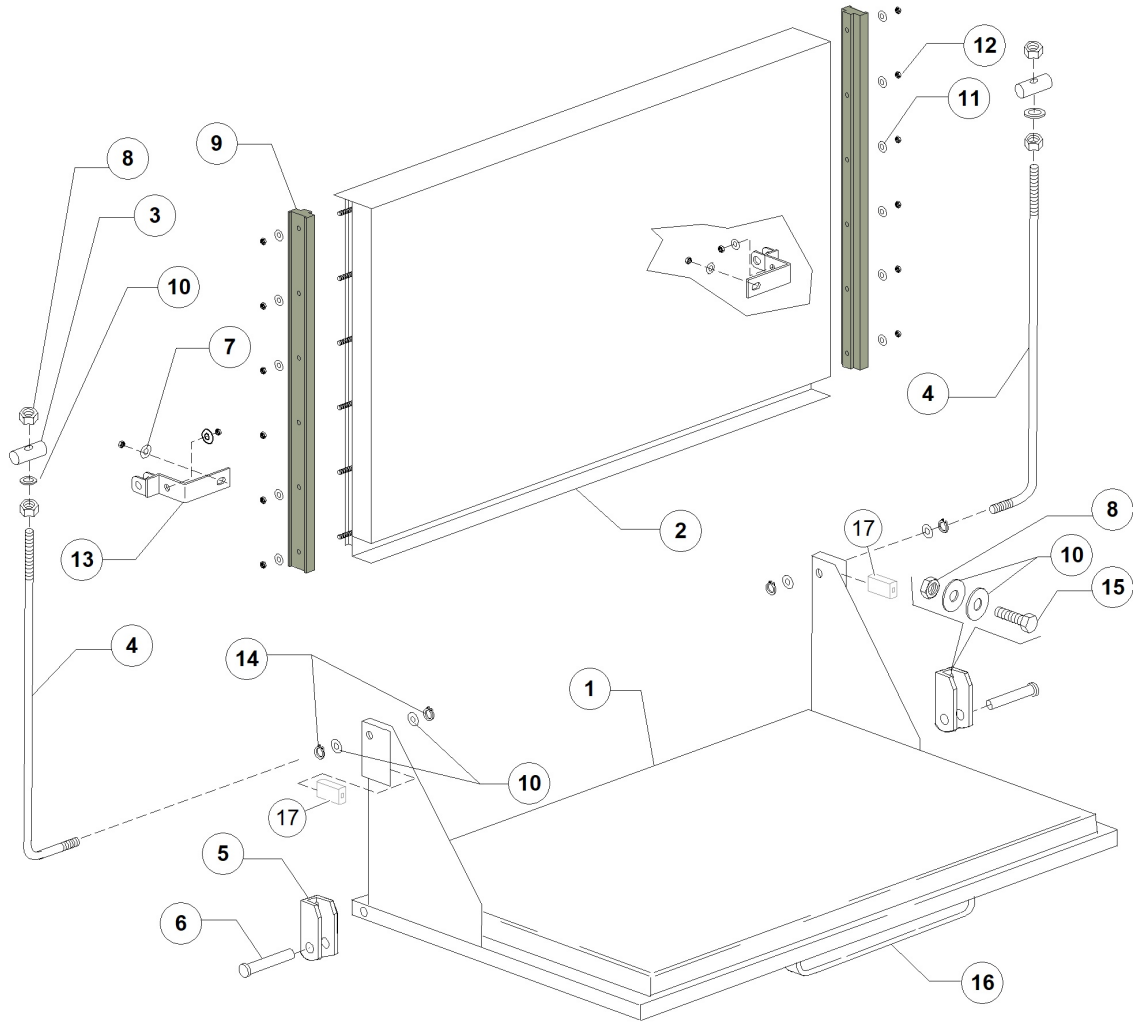
LP3 STR PLUS PS DDE 380-400/3N/50 - DWR1005477 - General body parts - DW138E



LP3 STR PLUS PS DDE 380-400/3N/50 - DWR1005477 - General body parts - DW138E

Pos.	Code	Descrizione	Description
1	DW92004	SCHIENALE P3S	
2	DW92000	#ASS.CARROZZERIA+PORTE P3S	
3	DW92005	COPERCHIO P3S	
4	DW3009112	PIEG. SUPPORTO MAGNETE PER PORTA	ECONOMIZER MICROSWITCH SUPPORT
5	DW3003112	REED MICRO PORTA E530	MAGNETIC REED SWITCH
6	DW91002	FIANCO LATERALE DX P2S-P3S	
7	DW91003	FIANCO LATERALE SX P2S-P3S	
8	DW80116	"PIEDINO 2" REG. 112-215 A304"	"ADJUSTABLE FOOT 112-215 2""
10	DW15613/A	"PORTAGOMM.SCARICO 1"1/4X32 DRITTO"	"STRAIGHT HOSE CONNECTOR 1"1/4X32"
11	DW30001010	RESIST.6000/6530W 230/240V 3	6000/6530W 230/240V 3 HEATING ELEM.
11	DW30001011	RESIST.9000/9800W 230/240V 3	9000/9800W 230/240V 3 HEATING ELEM.
12	DW91136	FILTRO SUPERFICIE + MANIGLIA LP2-3/2021	SURFACE FILTER WITH HANDLE
13	DW91137	FILTRO A CESTINO+MANIGLIA LP2-3-4/2021	FILTER WITH HOLE
14	DW91181	COPERCHIO TROPPO PIENO LP/2021	OVERFLOW PIPE PLUG
15	DW15065/A	FISSACAVO PER VITI AUTOF (NR.2x11007)	CABLE-FASTENER WITH SCREW
16	DW91129	STAFFA SUPPORTO DOSATORI LP2-3	BRACKET SUPPORT DOSING UNITS
17	DW22254	PARASP.INF.SX/DX LP1-LP1/800-S-S8	LOWER SPLASH GUARD
18	DW22254	PARASP.INF.SX/DX LP1-LP1/800-S-S8	LOWER SPLASH GUARD
19	DW13015	GUARNIZIONE 6225 OR 160 NBR	6225 O-RING 160 NBR
20	DW75311	CUFFIOTTO PER RESISTENZA 26/03/97	HEATING ELEMENT COVER
21	DW80200	CAVO ALIMENTAZIONE 5X4X3400	CABLE 5X4X3400
22	DW10726	CANNA CARICO PICC. WRAS m1,5x3/4 EN61770	LOAD PIPE WRAS M1,5x3/4 EN61770
23	DW10727	CANNA SCARICO mt.1.5 D.24 PICCOLA	DRAIN HOSE 1,5MT D.24
26	DW91126	SUPPORTO FILTRO (91125) TR P2-3-4S (N)	FILTER HOLDER

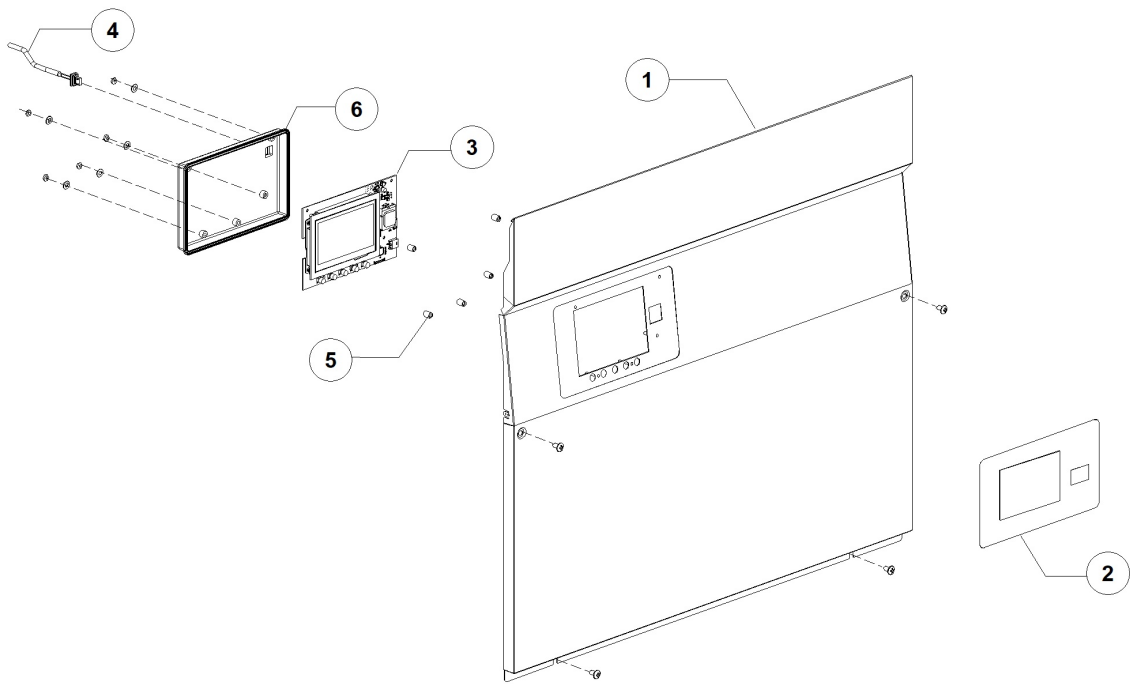
LP3 STR PLUS PS DDE 380-400/3N/50 - DWR1005477 - Door - DW138E



LP3 STR PLUS PS DDE 380-400/3N/50 - DWR1005477 - Door - DW138E

Pos.	Code	Descrizione	Description
1	DW92000/A	#PORTA INFERIORE COMPLETA P3S	
2	DW92000/B	#PORTA SUPERIORE COMPLETA P3S	
3	DW22219	CILINDRETTO PER PORTA LP	SMALL DOOR CYLINDERS
4	DW22220	ASTA PORTA LP1/LP2/LP3/P2S/P3S/GR06	DOOR ROD
5	DW22206/B	SQUADRA PORTA LP SP.20/10	DOOR HINGE
6	DW22220/A	PERNO INOX PER CERNIERA PORTA LP	DOOR HINGE S/S STUD
7	DW11185	RONDELLA 8X16 PIANA INOX DIN125	8X16 S/S PLANE WASHER DIN125
8	DW11721	DADO M6 AUTOBL.INOX UNI 7473 DIN982	S/S SELF-LOCKING NUT M6 DIN982 (MIN. 10
9	DW90024	PATTINI SCORRIM.PORTA SUP. LP 1S	DOOR SLIDING GUIDE
10	DW11177	RONDELLA 6X12 INOX PIANA UNI6592 DIN125	6X12 S/S PLAIN WASHER UNI6592 DIN125
11	DW11176	RONDELLA 5X10 PIANA INOX UNI6592 DIN125	5X10 S/S PLAIN WASHER UNI6592 DIN125
12	DW11169	DADO M5 AUTOBLOCCANTE INOX DIN 982	S/S SELF-LOCKING NUT M5 DIN982
13	DW90916	#STAFFA MOV.PORTA SUP.DX/SX LP1 S-S8	DOOR MOVEMENT SUPPORT
14	DW11815	SEEGER DIAM.8 INOX UNI7435	SNAP RING D.8 S/S
15	DW11104/B	VITE INOX M6x16 TE DIN 933	M6X16 TE S/S SCREW DIN933
16	DW80751	MANIGLIA INOX IN ELLITTICO 40x20 INT.470	

LP3 STR PLUS PS DDE 380-400/3N/50 - DWR1005477 - Control panel and switches - DW138E



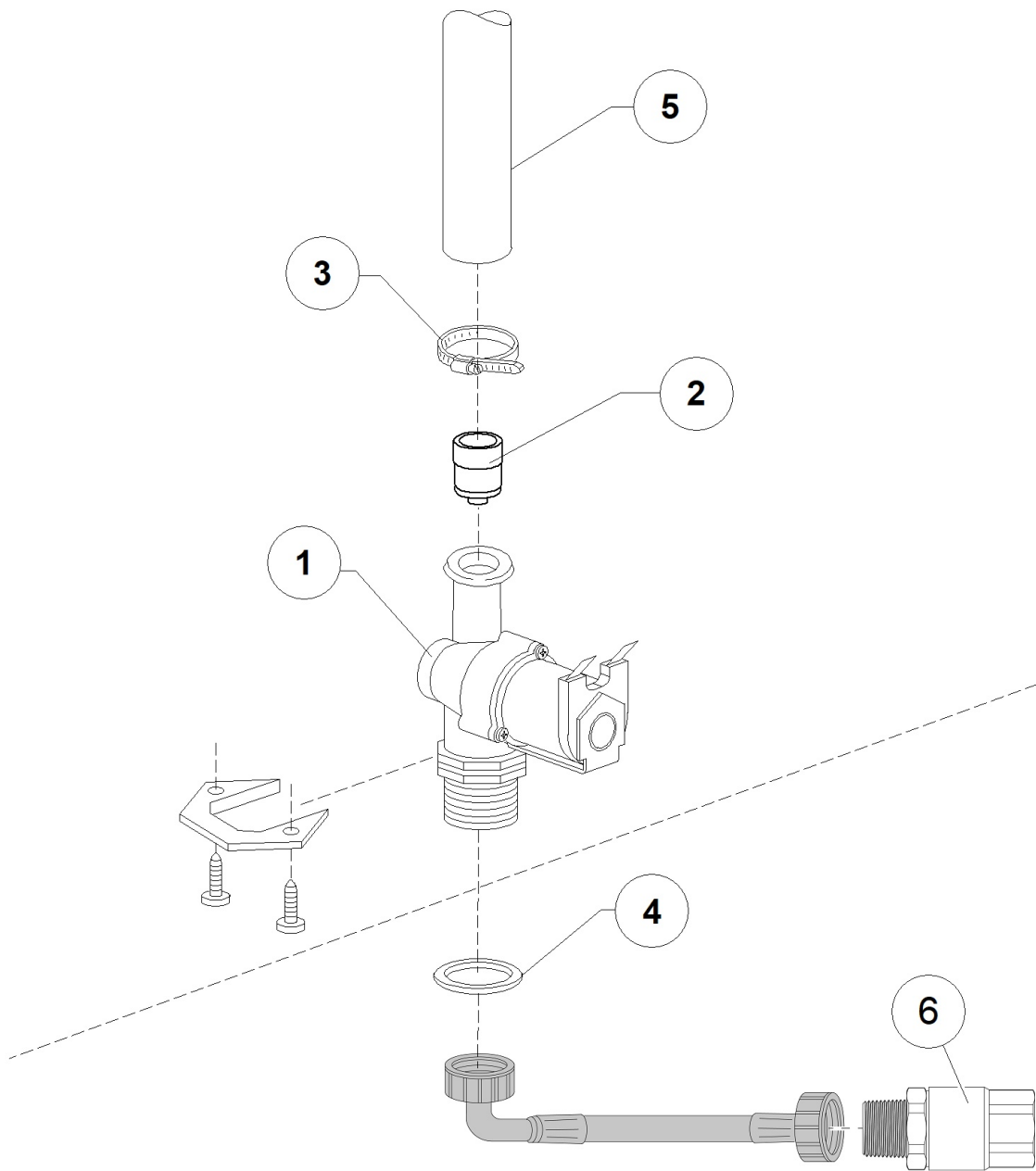
LP3 STR PLUS PS DDE 380-400/3N/50 - DWR1005477 - Control panel and switches - DW138E

Pos.	Code	Descrizione	Description
1	DW92133/A	PIEG. SOTTOPORTA LP3/2021 DIHR GRANDE	DIHR FRONT PANEL LP3/2021
2	DW93572	MOSTRINA DIHR DISPLAY TFT 5" LP/2021	.
3	DW91139	DISPLAY TFT 5" LP2-3-4/2021 (BL)	DISPLAY TFT 5" POT/2021 (WITH FW)
4	DW580404	CAVETTO L2,5M DISPLAY ELECTRON II	ELECTRON II DISPLAY CABLE L2500
5	DW50561	DIST. SCHEDE ELETTR. 2009 D.8X10	MAINBOARD SPACER D.8X10
6	DW91178	SCATOLA+GUARNIZ DISPLAY LP/2021	DISPLAY PROTECTION BOX WITH GASKET

LP3 STR PLUS PS DDE 380-400/3N/50 - DWR1005477 - Electric control components - DW138E

Pos.	Code	Descrizione	Description
1	DW91130	PORTACOMPONENTI LP2-3-4/2021	ELECTRIC COMPONENTS PANEL POT/2020
2	DW580400	SCHEDA MADRE 2021 NO FIRMWARE (M)	MAINBOARD 2021 (NO SOFTWARE)
3	DW91172	SONDA 2NSNE1,55/6E15NCE C9CONJST007 N/G	THERMOSTAT PROBE DIHRECO2
4	DW15149	FILTRO ANTIDIS.F3 (CX0.47MF)	LOW NOISE FILTER F3 (CX0.47MF)
5	DW91184	DADO CON FLANGIA PER SCHEDA	
6	DW13324	PASSACAVO GOMMA D.46X50	RUBBER FAIRLEAD D.46X50
7	DW2000430	TERMOSTATO DI SICUR. 110 1500PVC	SAFETY THERMOSTAT 110 1500PVC
8	DW91173	DIST.FISS.SCHEDA M4/D4 H40	KEY-BOARD SPACER LP/2020
9	DW3006173	MORSETTO 16mmqSL-16 GIALLO-VERDE	TERMINAL 16mmq YELLOW/GREEN
10	DW3006155	MORSETTO NEUTRO 16mmq BLU	TERMINAL 16mmq BLEU
11	DW10300067	TELERUTT. 25A/12A 3NA 1NC 230V 50-60HZ	CONTACTOR 25A/12A 3NA 1NC 230V 50-60HZ
12	DW15086	TELERUTTORE 230V 50/60Hz 4C AC3(6A)	CONTACTOR 230V 50/60Hz 4C AC3(6A)
13	DW11600039	PROTEZ. COMPON. ELET. G12 415X285X1	ELECTRICAL COMPONENTS PROTECTION
14	DW96712	RELE TERMICO 0,31-0,41A ABB	
15	DW16047	RELE TRIP.16A 230VAC 50/60Hz	TRIPOLAR RELAY 16A 230VAC 50/60Hz
16	DW3071122	MORSETTO 2.5mm DOPPIO A MOLLA (ZDK 2.5)	TERMINAL 2,5mmq DOUBLE
17	DW3006082	MORSETTO 16mmqSL-16	TERMINAL 16mmq
19	DW3072158	TERMOSTATO DI SICUR. 90 1500PVC	SAFETY THERMOSTAT 90 1500PVC
20	DW3006068	CONTATTI AUSI.X MC9.10 24V 1NA1NO	MC9 AUXILIARY CONTACT 1NO-1NC
21	DW15086	TELERUTTORE 230V 50/60Hz 4C AC3(6A)	CONTACTOR 230V 50/60Hz 4C AC3(6A)
22	DW15170	CERNIERA PANNELLO COMP. 1/2 LARGA	HINGE

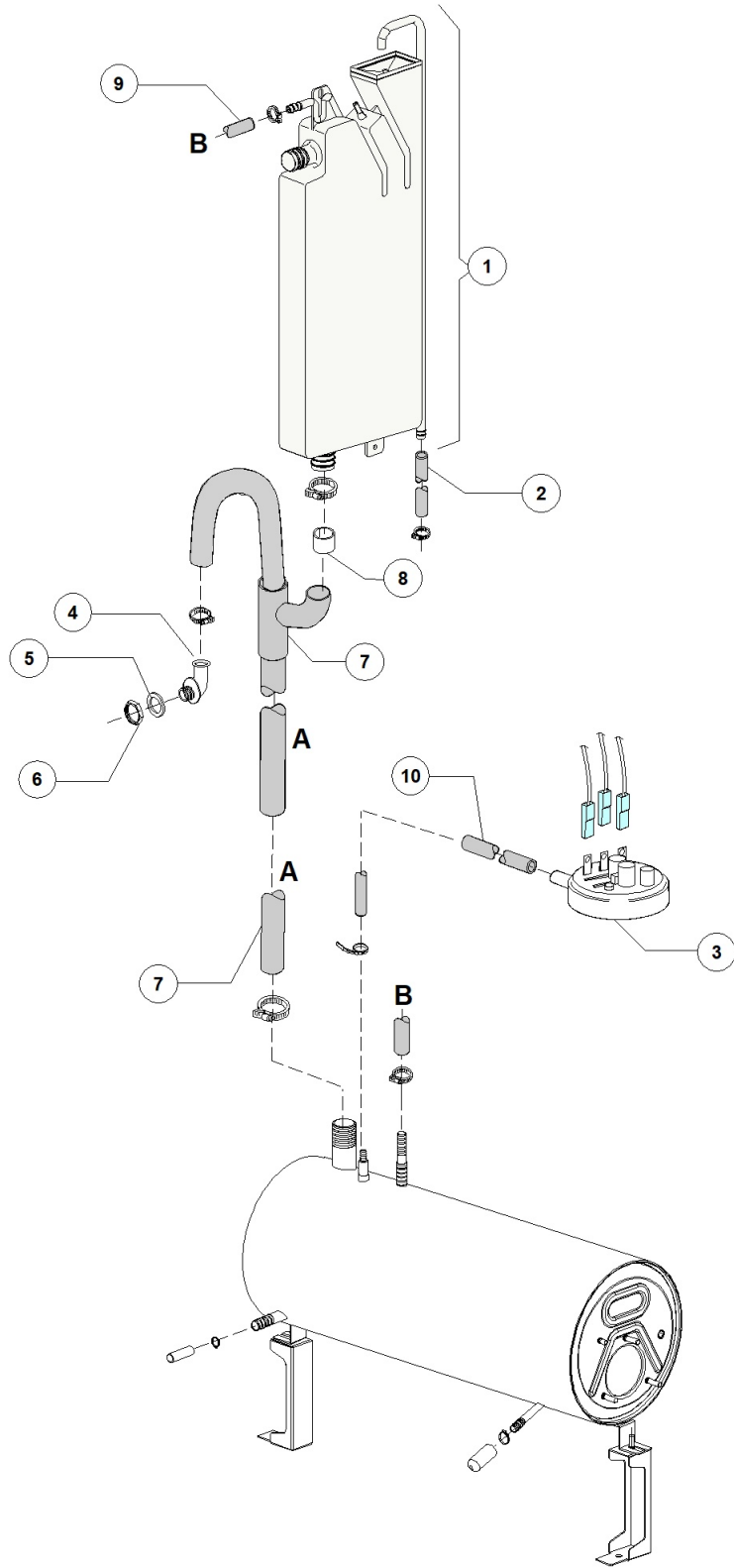
LP3 STR PLUS PS DDE 380-400/3N/50 - DWR1005477 - Solenoid valve group - DW138E



LP3 STR PLUS PS DDE 380-400/3N/50 - DWR1005477 - Solenoid valve group - DW138E

Pos.	Code	Descrizione	Description
1	DW10703	ELETTROV. SING. H20 230V DIS.LS036	SINGLE SOLENOID VALVE H20 230V
3	DW11807	FASCETTE AISI 430 12/22	CLAMP 12/22 AISI 430
4	DW13307	GUARNIZ. 3/4 CARICO ACQUA POTABILE	GUARNIZ. 3/4 CARICO H20 DIS.LS061

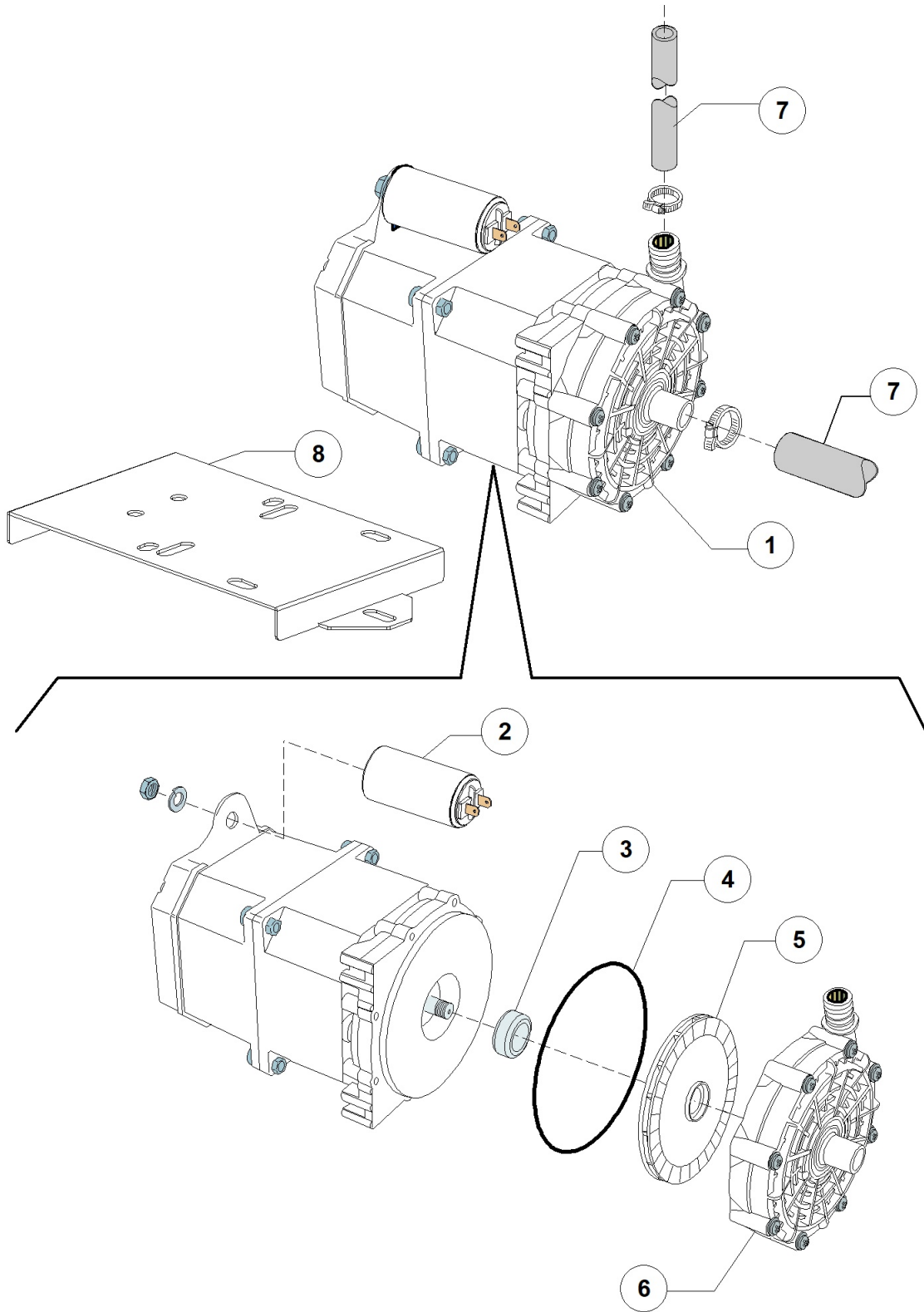
LP3 STR PLUS PS DDE 380-400/3N/50 - DWR1005477 - Break Tank - DW138E



LP3 STR PLUS PS DDE 380-400/3N/50 - DWR1005477 - Break Tank - DW138E

Pos.	Code	Descrizione	Description
1	DW15720	ASSIEME BREAK TANK 3.5	BREAK TANK ASSEMBLY 3.5LT
2	DW2907352	TUBO GOMMA PVC WRAS BT	PVC WRAS RUBBER HOSE
3	DW10706/A	"PRESSOSTATO "EL." 46-26"	PRESSURE SWITCH 46-26
4	DW10701	GOMITO SCARICO DIS.LS035	DRAIN ELBOW
5	DW13305	GUARN.GOM.SCARICO 44x32x3 DIS.LS061	O RING FOR DRAIN ELBOW 44x32x3 DIS.LS061
6	DW11701/A	DADO INOX PER PIL. SCAR.	S/S NUT
7	DW91112	MAN.CARICO/SICUREZZA P2S-P3S-P4S8	LOADING/SAFETY PIPES ASSEMBLY
8	DW12533	RINFORZO COLLARE USCITA BREAK TANK	BREAK TANK OUTLET COLLAR REINFORCEMENT
9	DW2907351	TUBO GOMMA EPDM 11,5X19	11,5X19 EPDM RUBBER HOSE
10	DW14508	TUBO EPDM 4.5X9 PER PRESSOSTATO	EPDM HOSE 4.5X9 FOR PRESSURE SWITCH

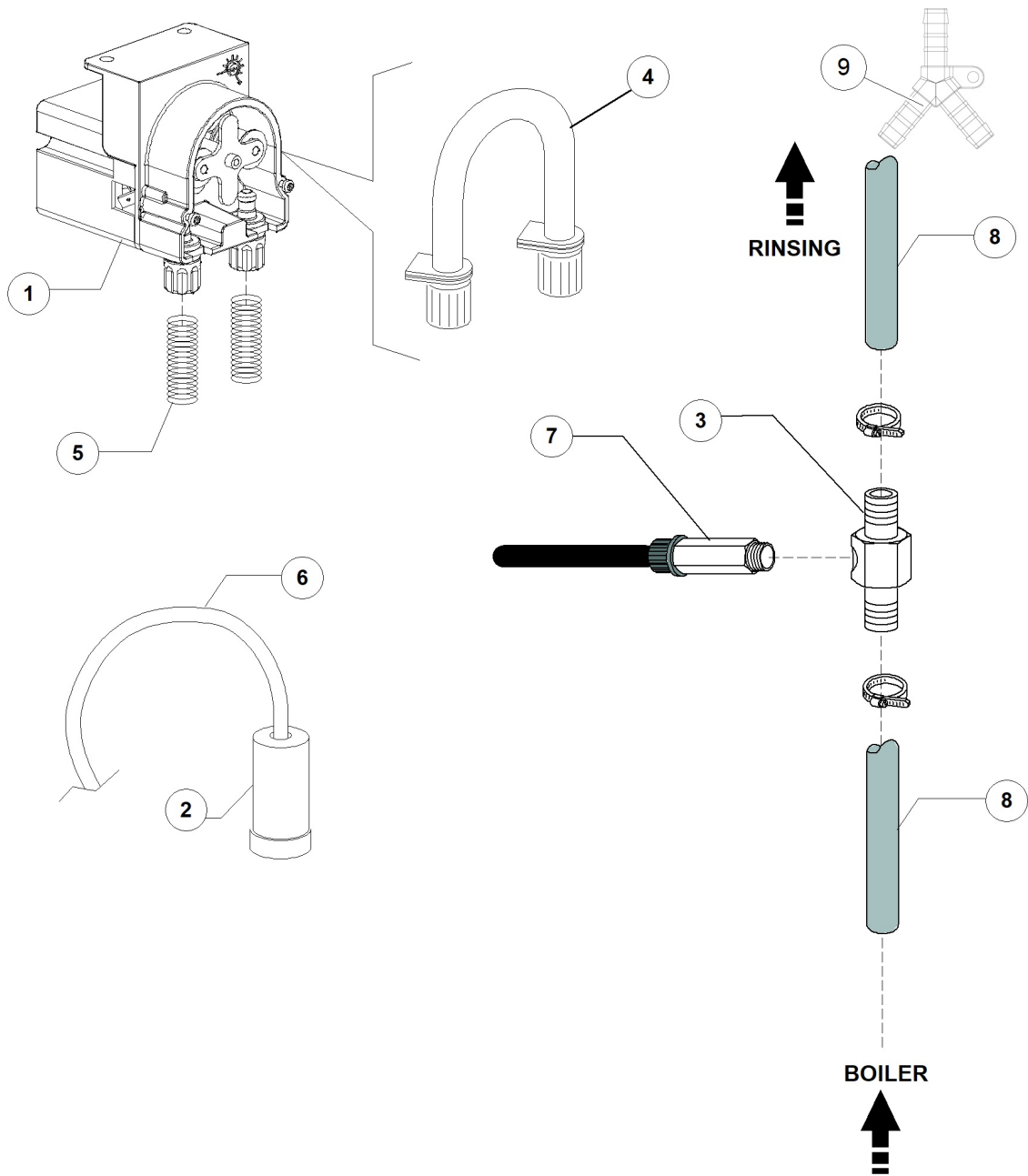
LP3 STR PLUS PS DDE 380-400/3N/50 - DWR1005477 - Rinsing pump / Booster pump - DW138E



LP3 STR PLUS PS DDE 380-400/3N/50 - DWR1005477 - Rinsing pump / Booster pump - DW138E

Pos.	Code	Descrizione	Description
1	DW15100/DO	POMPA RISCIAQUO 220-240/50 (PLUS)	RINSE PUMP 220-240V/50HZ (PLUS)
2	DW16043	#CONDENSATORE POMPA uf8	uf8 CONDENSER
3	DW15100/S	TENUTE ROTANTI EPDM(15100/DO)	EPDM ROTARY SEAL (15100/DO)
4	DW15100/T	OR EPDM(15100/DO)	O-RING EPDM (15100/DO)
5	DW15100/U	#GIRANTE 90X2.5 (15100/DO)	PUMP ROTOR 90X2.5 (DW15100/DO)
6	DW15100/V	#CHIOCCIOLA ANTE. (15100/DO)	SCROLL FOR PUMP 15100/DO
7	DW2907351	TUBO GOMMA EPDM 11,5X19	11,5X19 EPDM RUBBER HOSE
8	DW23235	STAFFA SUPP. POMPA A.P.	BOOSTER PUMP SUPPORT

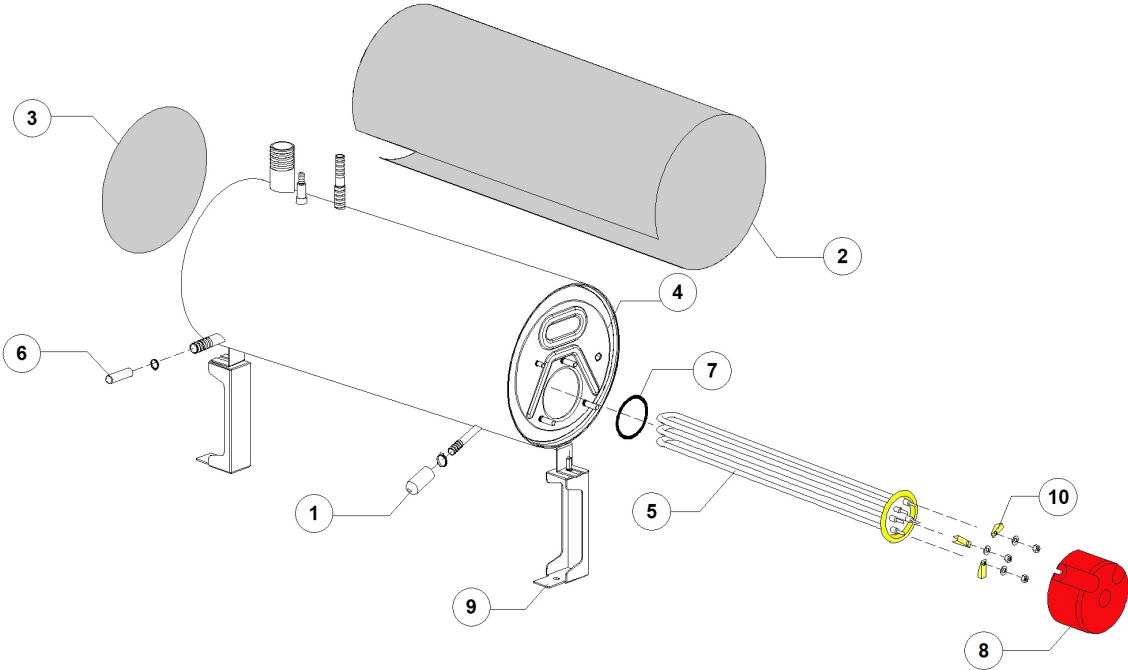
LP3 STR PLUS PS DDE 380-400/3N/50 - DWR1005477 - Rinse aid dispenser group - DW138E



LP3 STR PLUS PS DDE 380-400/3N/50 - DWR1005477 - Rinse aid dispenser group - DW138E

Pos.	Code	Descrizione	Description
1	DW15985/C	DOS.ELETT.BRIL PERISTALTICO CONTINUO	RINSE AID PERISTALTIC DOSING PUMP
2	DW15058	FILTRINO CON PESO ASPIR. DET/BRIL	SMALL FILTER (MIN. 3 PCS)
3	DW3003906/A	DERIV. A T ENTR. BRILL. SENZA TAPPO	"T-PIECE W/PLUG 1/8"
4	DW15186/C	TUBO MEMBRANA DOS BRIL CONTINUO	MEMBRANE TUBE FOR RINSE AID DISPENSER
5	DW10763	MOLLA D.05 INOX PER TUB. D.6x4 PVC	PIPE S/S SPRING
6	DW14502/A	TUBETTO PVC 6X4 VERDE	6X4 PVC GREEN SMALL PIPE
7	DW15122	VALVOLA 1/8G TENUTA EPDM	1/8G VALVE SEAL
8	DW2907351	TUBO GOMMA EPDM 11,5X19	11,5X19 EPDM RUBBER HOSE

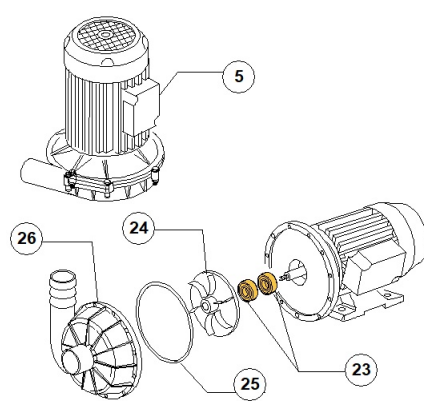
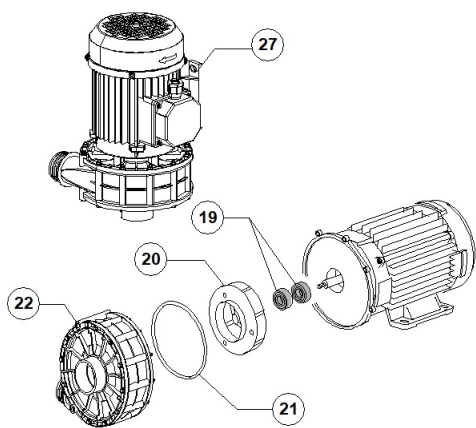
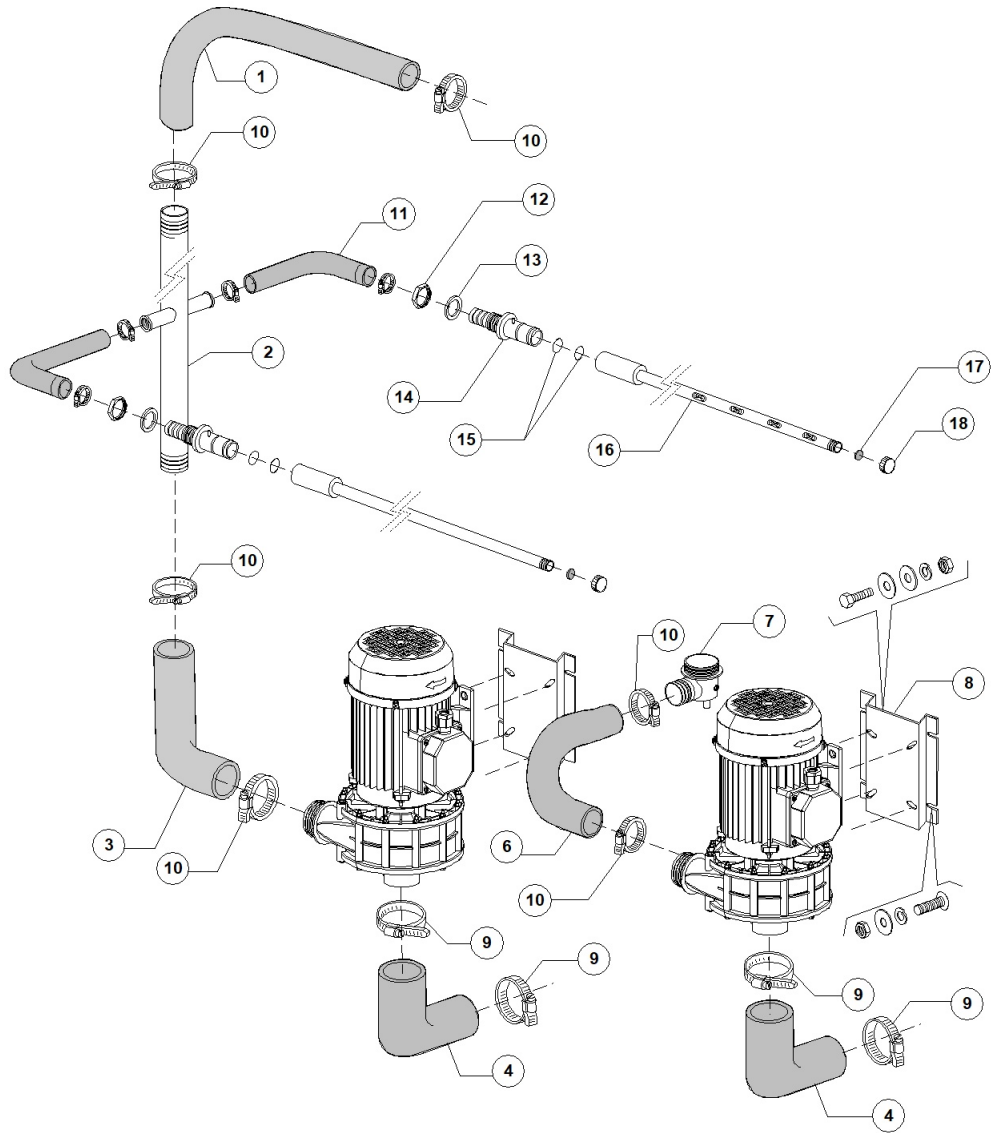
LP3 STR PLUS PS DDE 380-400/3N/50 - DWR1005477 - Boiler group - DW138E



LP3 STR PLUS PS DDE 380-400/3N/50 - DWR1005477 - Boiler group - DW138E

Pos.	Code	Descrizione	Description
1	DW500171	TAPPO PER TUBO D7-D10	HOSE CONNECTION
2	DW11600110	COIBENTE PER BOILER ATM D190	BOILER INSULATING ATM D190
3	DW91115	DISCO IN ESPANSOLENE AUTOESTING.D.190X3	INSULATING DISK D.190
4	DW11600104	BOILER ATMOSFERICO D190x490 BA(AISI 304)	ATMOSPHERIC BOILER D190x490 BA(AISI 304)
5	DW30001011	RESIST.9000/9800W 230/240V 3	9000/9800W 230/240V 3 HEATING ELEM.
6	DW2907351	TUBO GOMMA EPDM 11,5X19	11,5X19 EPDM RUBBER HOSE
7	DW13015	GUARNIZIONE 6225 OR 160 NBR	6225 O-RING 160 NBR
8	DW75311	CUFFIOTTO PER RESISTENZA 26/03/97	HEATING ELEMENT COVER
9	DW91131	SUPPORTO BOILER LP2-3/2021	BOILER HOLDER LP2-3/2021
10	DW16045	STAFFE FISSAGGIO RESIST.FORO 6.3	HEATING ELEMENT MOUNTING BRACKET D.6,3

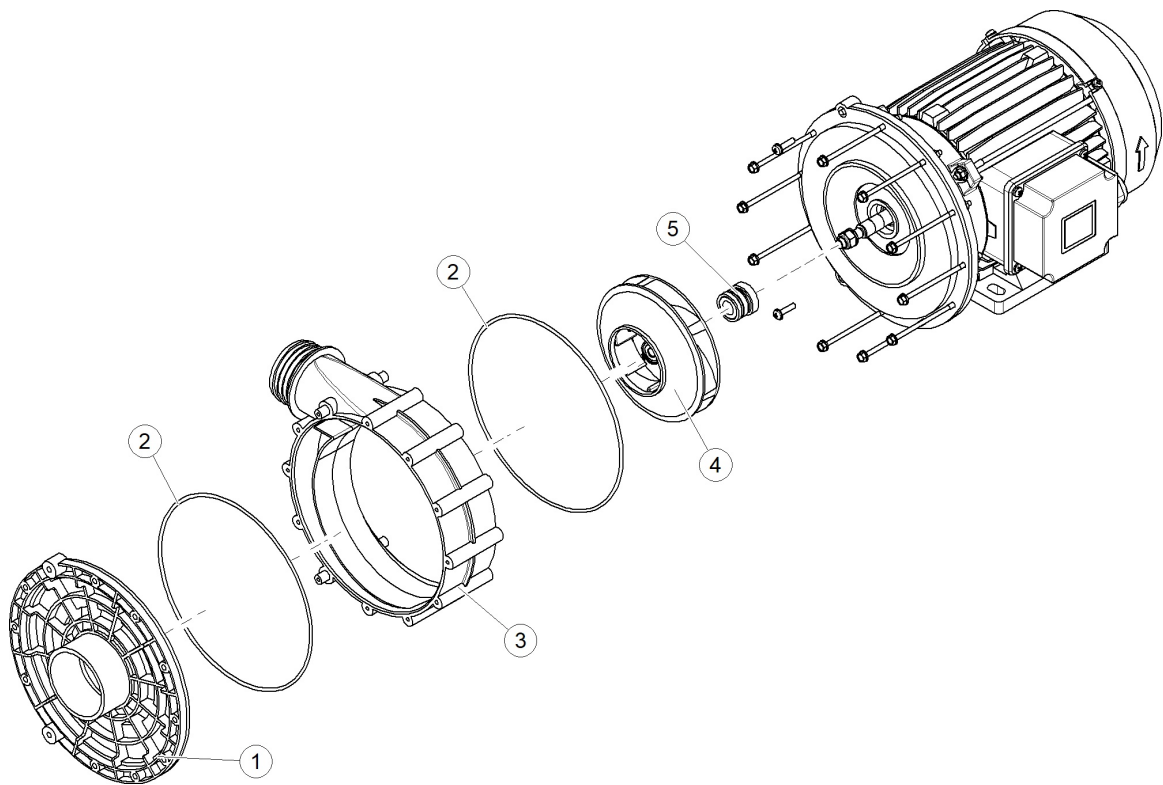
LP3 STR PLUS PS DDE 380-400/3N/50 - DWR1005477 - Wash pump group - DW138E



LP3 STR PLUS PS DDE 380-400/3N/50 - DWR1005477 - Wash pump group - DW138E

Pos.	Code	Descrizione	Description
1	DW91106	MANICOTTO MANDATA A L 45/45	DELIVERY PIPE COUPLING 45/45
2	DW92101	RAMPA LAVAGGIO P3S	
3	DW92102	MANICOTTO MANDATA A L 50/45	DELIVERY PIPECOUPLING 50/45
4	DW3002020	EPDM D.60 MANICOTTO A GOMITO EPDM D.60	ELBOW PIPE COUPLING D.60
5	DW88106	POMPA HP2.7 220/380-400 50HZ (1205)	PUMP HP2.7 220/380-400V/50HZ
6	DW92103	MANICOTTO MANDATA INF. P3S	
7	DW91180	TORRETTA INFERIORE LP1S8-S LP2-3-4/2021	LOWER TURRET LP2-3-4/2021
8	DW11600623	STAFFA SUPPORTO POMPA G12	PUMP SUPPORT G12
9	DW2902491	FASCETTA AISI-430 60/80	CLAMP 60/80 AISI 430
10	DW11824	FASCETTA AISI 430 50-70	CLAMP 50/70 AISI 430
11	DW92104	MAN.MANDATA BRACCI LAT.P3S-P4S8	SIDE ARMS PIPE COUPLING
12	DW2200103	DADO 3/4 ES.32X8 OTTONE PER TRAINO	HEXAGONAL BRASS NUT 3/4
13	DW13326	GUARNIZIONE D.38X27X2	GASKET D.38X27X2
14	DW92106	INNESTO MASCHIO TUBO LAV.P3S-P4S8	WASH ARM COUPLING
15	DW13025	GUARNIZIONE OR 2081	O-RING 2081
16	DW92105	TUBO LAVAGGIO LATERALE INF. P3S	
17	DW2002051	GUARN. EPDM TAPPO RISC. D.17,5X1,5	GASKET EPDM D.17,5X1,5
18	DW2002054	TAPPO M18X1 D21X9	PLUG M18X1 D21X9
19	DW15080	PREMISTOPA+CONTROFACCIA	ROTATING SEALS
20	DW88222/O	#GIRANTE POMPA HP2.7 (88106) OLYMPIA	PUMP ROTOR
21	DW10200290/O	#GUARN.OR POMPA MEC80.T200SX(OLYMPIA)	GUARN.OR POMPA MEC80.T200SX(OLYMPIA)
22	DW88220/O	#KIT CHIOCCIOLA POMPA 2.7HP(88106)OLYMPI	
23	DW15080	PREMISTOPA+CONTROFACCIA	ROTATING SEALS
24	DW88222	#GIRANTE POMPA HP2.7 F1205 (88106)	PUMP ROTOR
25	DW10200290	#GUARNIZIONE OR POMPA 1225	OR 1225 GASKET
26	DW88220	#CHIOCCIOLA POMPA 1205 2.7HP	
27	DW88106	POMPA HP2.7 220/380-400 50HZ (1205)	PUMP HP2.7 220/380-400V/50HZ

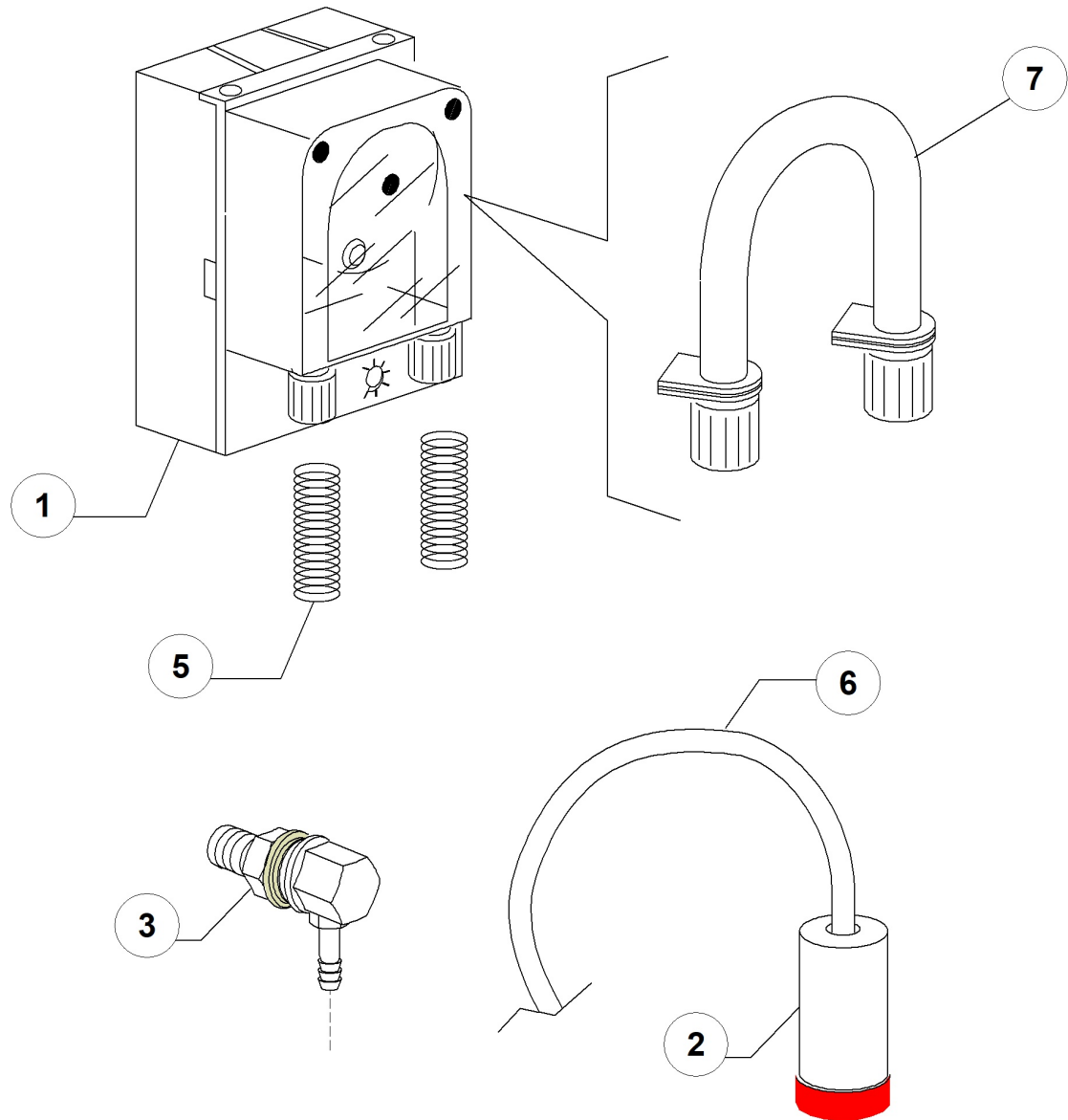
LP3 STR PLUS PS DDE 380-400/3N/50 - DWR1005477 - Wash pump - DW138E



LP3 STR PLUS PS DDE 380-400/3N/50 - DWR1005477 - Wash pump - DW138E

Pos.	Code	Descrizione	Description
1	DW3000082/B	#CHIOCCIOLA POMPA MEC71 (PLA_031)	
2	DW88231	#GUARNIZIONE OR150 x 2.50 POMPA 88106/U	OR 1225 GASKET
3	DW3000082/A	#FLAN. CHIOCCIOLA POMPA MEC71 (PLA_033)	
4	DW88222/O	#GIRANTE POMPA HP2.7 (88106) OLYMPIA	PUMP ROTOR
5	DW15100/S	TENUTE ROTANTI EPDM(15100/DO)	EPDM ROTARY SEAL (15100/DO)

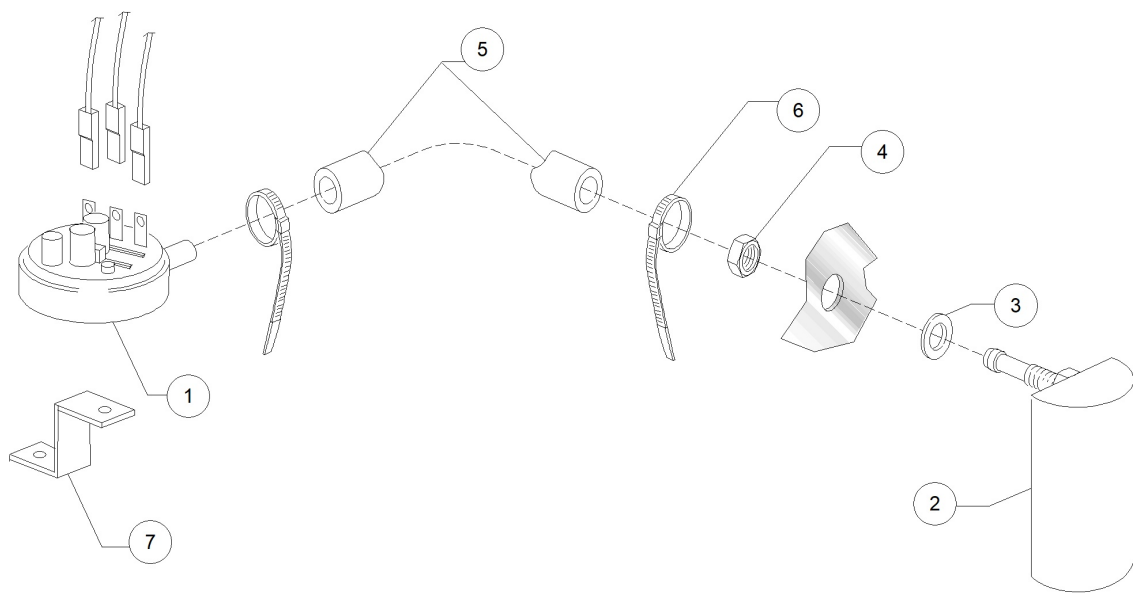
LP3 STR PLUS PS DDE 380-400/3N/50 - DWR1005477 - Dosing detergent group - DW138E



LP3 STR PLUS PS DDE 380-400/3N/50 - DWR1005477 - Dosing detergent group - DW138E

Pos.	Code	Descrizione	Description
1	DW15985	DOS.ELETT.DET REGOLABILE 0-3LT/H	DETERGENT DOSING PUMP 0-3L/H
2	DW15058	FILTRINO CON PESO ASPIR. DET/BRIL	SMALL FILTER (MIN. 3 PCS)
3	DW15123	INIETTORE DETER. A GOMITO INOX	S/S DOSING PUMP INJECTOR
5	DW10763	MOLLA D.05 INOX PER TUB. D.6x4 PVC	PIPE S/S SPRING
6	DW14503	TUBO PVC DIAM.6x4 TRASPARENTE	D.6X4 PVC TRANSPARENT HOSE
7	DW15108/E	TUBO TERMOPLASTICO DDE GERMAC	GERMAC DISPENSER THERMOPLASTIC HOSE
7	DW15185	TUBO MEMBRANA DDE SEKO DET.	SEKO DISPENSER THERMOPLASTIC HOSE
7	DW15297	TUBO MEMBRANA DDE SEKO 04/2013	SEKO DISPENSER THERMOPLASTIC HOSE
7	DW15297/T	TUBO TERMOPLASTICO DDE TECNOPRO	TECNOPRO DISPENSER THERMOPLASTIC HOSE
7	DW15985/A	#TUBO TERMOPLASTICO DDE MICRODOS	MICRODOS THERMOPLASTIC PIPE

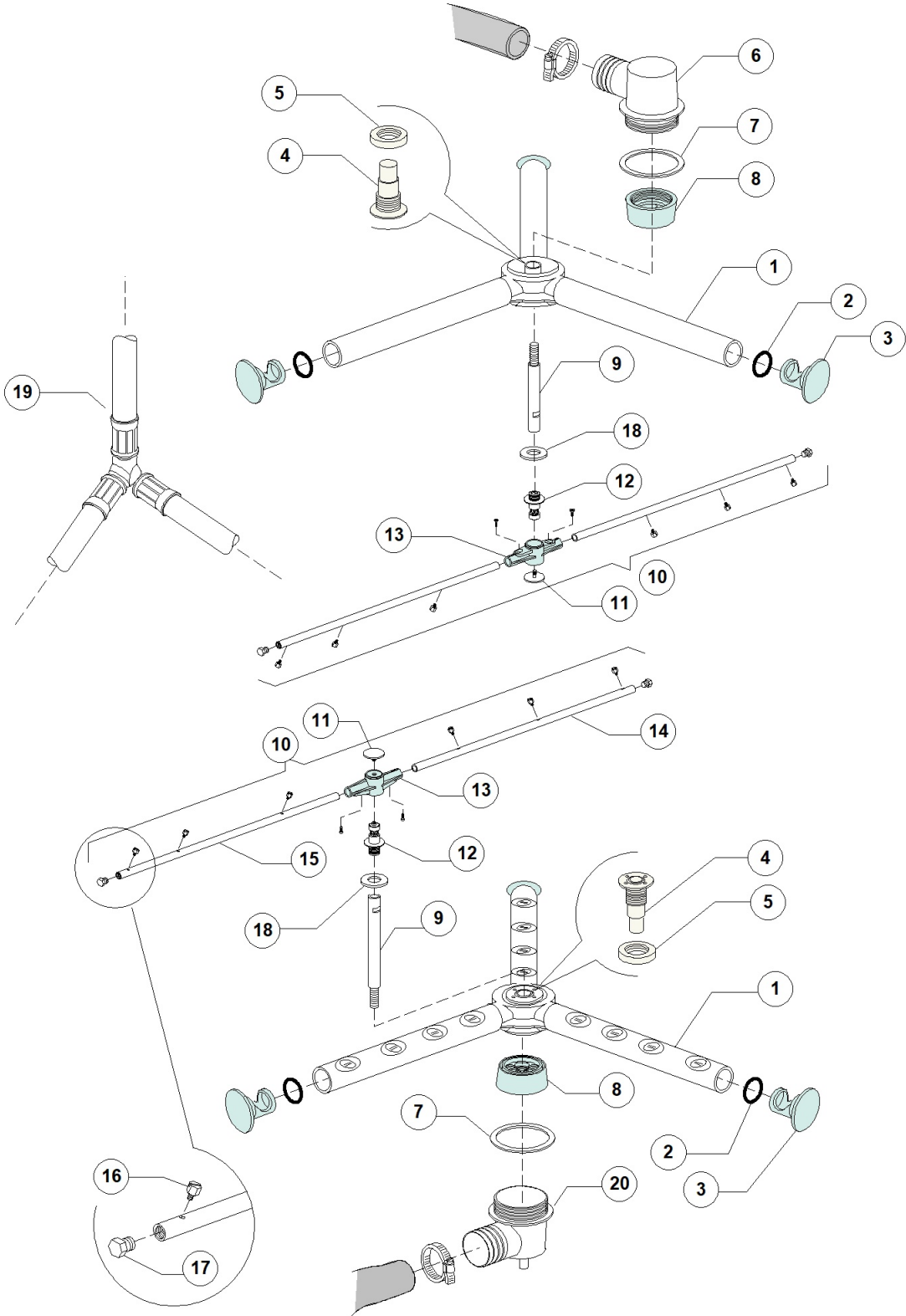
LP3 STR PLUS PS DDE 380-400/3N/50 - DWR1005477 - Pressure switch group - DW138E



LP3 STR PLUS PS DDE 380-400/3N/50 - DWR1005477 - Pressure switch group - DW138E

Pos.	Code	Descrizione	Description
1	DW88110	PRESSOSTATO 250-40	PRESSURE SWITCH 250-40
2	DW135911	ASSIEME GABBIA D'ARIA GRIGIA L90	GREY AIR TRAP ASSEMBLY L90
3	DW13301	GUARNIZ. IN FASIT 202 D14x8x1,5	O-RING ROLMART D14X8X1,5
4	DW11702	DADO M8 INOX UNI5588 DIN934	S/S NUT M8 DIN934 (MIN. 20 PCS)
5	DW14508	TUBO EPDM 4.5X9 PER PRESSOSTATO	EPDM HOSE 4.5X9 FOR PRESSURE SWITCH
6	DW10738	FASCETTA PLASTICA 98X2.5	PLASTIC CLAMP 98X2,5
7	DW3009363	SUPPORTO PRESSOSTATO	PRESSURE-SWITCH SUPPORT

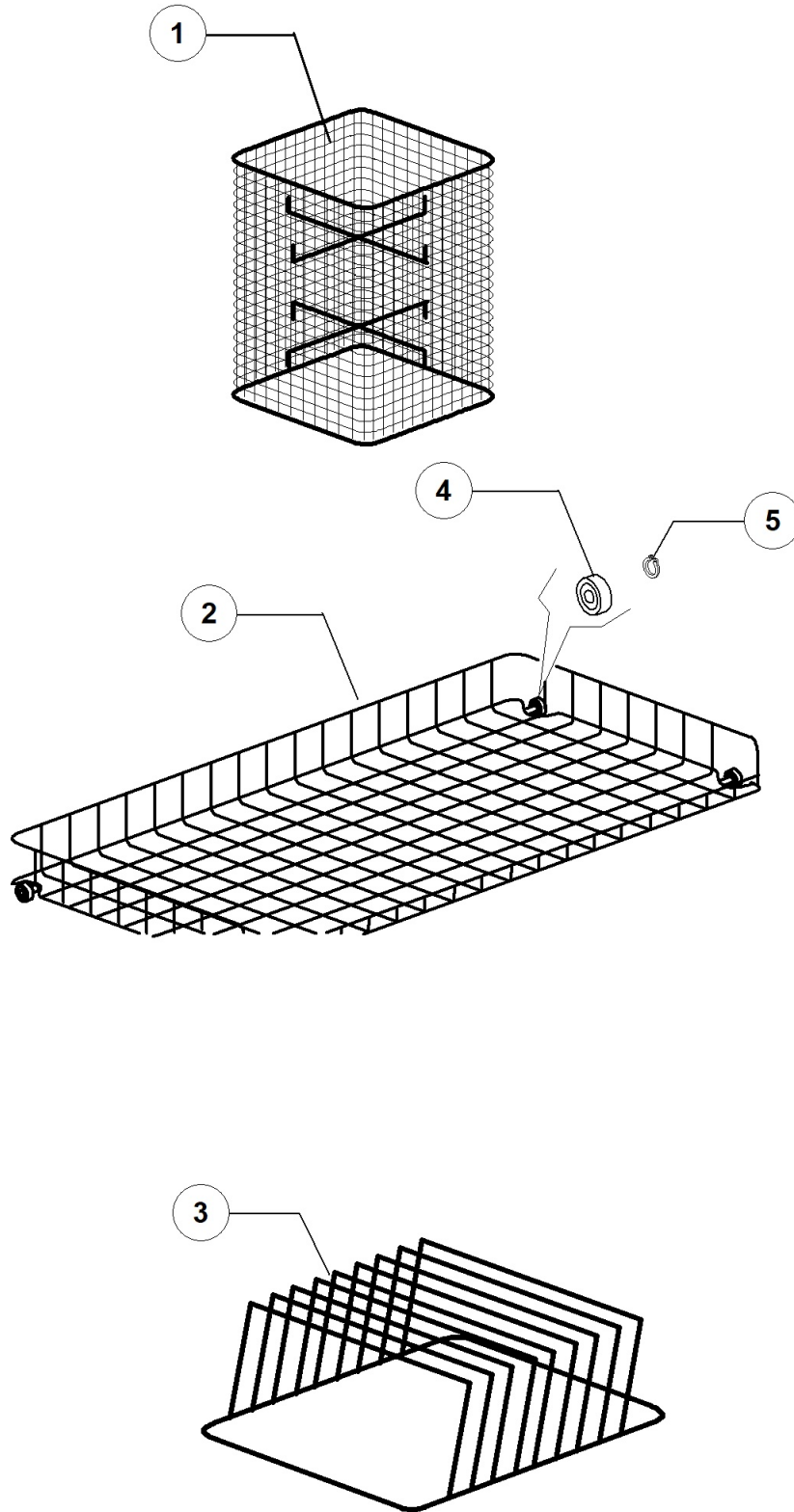
LP3 STR PLUS PS DDE 380-400/3N/50 - DWR1005477 - Turret group with rotating arms - DW138E



LP3 STR PLUS PS DDE 380-400/3N/50 - DWR1005477 - Turret group with rotating arms - DW138E

Pos.	Code	Descrizione	Description
1	DW91102	GIR.LAV.SUP/INF P2S-P3S-P4S8	UPPER/LOWER WASH ROTOR P2S-P3S-P4S8
2	DW13023	GUARNIZ. OR 131 (4093)	O-RING 131 (4093) GASKET
3	DW3003029	TAPPO X LANCIA LAVAGG.D32 28/03/97	PLASTIC PLUG FOR WASH ARM
4	DW75316	MOZZO PER GIRANTE 11S/96	HUB FOR ROTOR 11S/96
5	DW75317	DADO PER MOZZO GIR. 11S/96	NUT FOR ROTOR HUB 11S/96
6	DW90008	TORRET.INF/SUP.PER GIRELLO LP1 S-S8	WASH ARMS'LOWER / UPPER SUPPORT P1S/S8
7	DW80208	GUARNIZIONE RAMPA LP2 DIAM.95X75X3	RISER GASKET D.95X75X3 (MIN. 2 PCS)
8	DW90009	MOZZO FISSAGGIO TORRETTA LP1 S-S8	HUB FOR ROTOR
9	DW90010	PROLUNGA ASSE RIS.INF/SUP LP1 S-S8	UPPER/LOWER RINSE AXLE EXTENSION P1S/S8
10	DW91103	GRUPPO RISC.SUP/INF P2S-P3S-P4S8	UPPER/LOWER RINSE ASSEMBLY P2S/P3S/P4S8
11	DW10652	VITE RISCIAQUO/03	RINSE ARM SCREW
12	DW10651	ASSE RISCIAQUO/03	RINSE AXLE 03
13	DW10650	MOZZO PER GIRANTE RISCIAQUO/03	HUB FOR RINSE ROTOR 03
14	DW91103/D	TUBO RISC.DX UGELLI INOX/03(91103)	S/S RIGHT RINSE ARM
15	DW91103/S	TUBO RISC.SX UGELLI INOX/03(91103)	S/S LEFT RINSE ARM
16	DW560018	UGELLO INOX RISCIAQUO M5	S/S RINSE NOZZLE M5
17	DW560017	TAPPO PER TUBO RISCIAQUO M9x1	RINSE ARM PLUG
18	DW90031	RONDELLA X SCORRIM.GIR.R.LP 1 S-S8	SLIDING WASHER P1S/P1S8
19	DW91110	ASS.TUBI RISC.D.12 P2S-P3S-P4S8	RINSE PIPE ASSEMBLY D.12
20	DW91180	TORRETTA INFERIORE LP1S8-S LP2-3-4/2021	LOWER TURRET LP2-3-4/2021

LP3 STR PLUS PS DDE 380-400/3N/50 - DWR1005477 - Baskets - DW138E



LP3 STR PLUS PS DDE 380-400/3N/50 - DWR1005477 - Baskets - DW138E

Pos.	Code	Descrizione	Description
1	DWC86/A	CESTELLO PORTA SPATOLE INOX	S/S SPATULA BASKET
2	DW92100	CESTO 850X725X130 SU RUOTE P3S	
3	DWC97/A	INSERTO INOX PER VASSOI 8P.	S/S TRAY SUPPORT 8 PCS
4	DW89919	RUOTA PER CESTO LP3/LP4	MB2192218 WHEEL FOR BASKET P3S/P4S8
5	DW11815	SEEGER DIAM.8 INOX UNI7435	SNAP RING D.8 S/S

