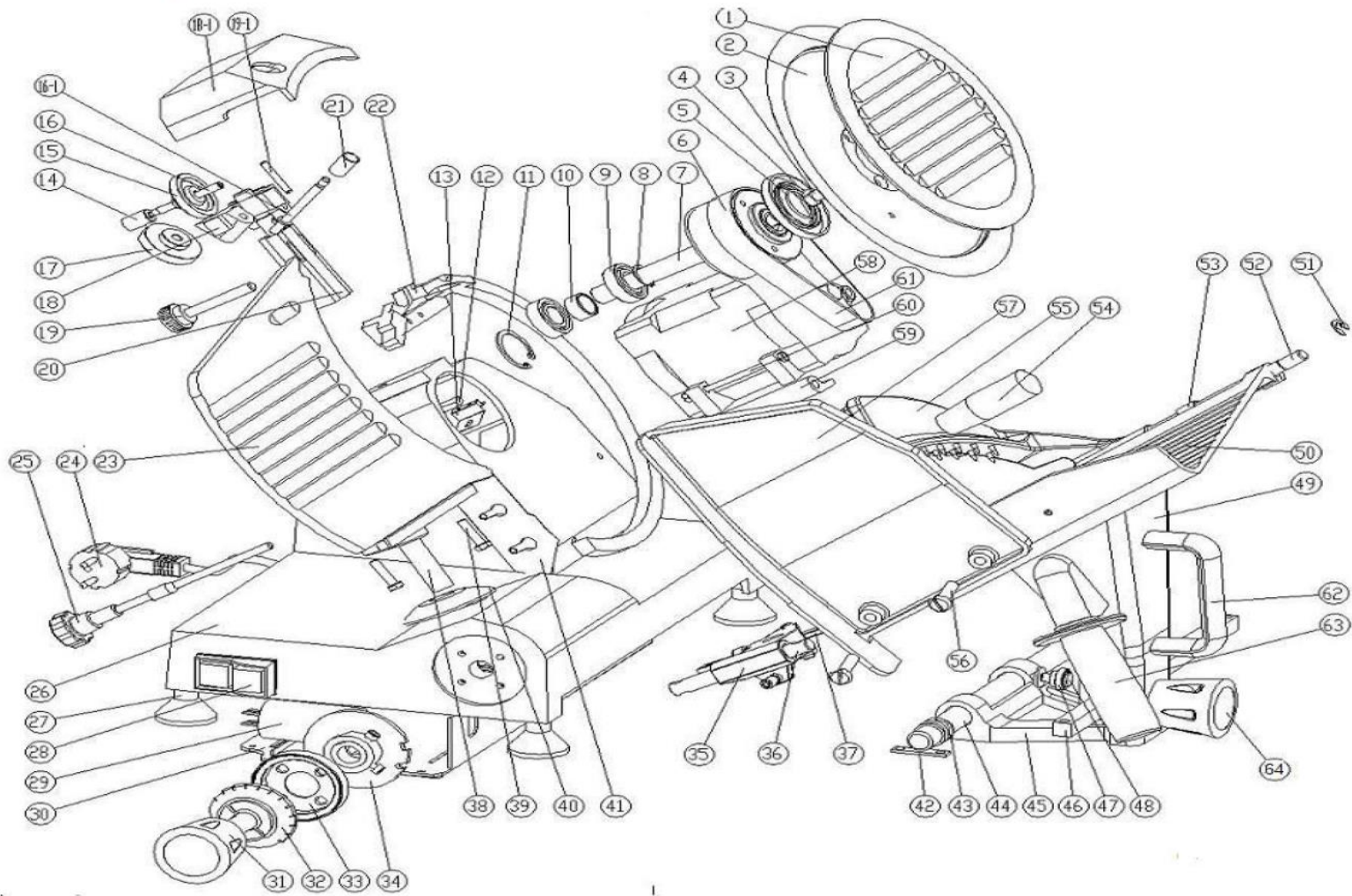


# AMH-Versions



Part No.	Part Name
1	Blade protection plate
2	Blade
3	Screw for blade
4	sealing ring for blade shaft
5	sealing ring for blade spindle
6	Sleeve of blade
7	Spindle of blade
8	Blocking ring for bearing
9	Bearing
10	Isolating sleeve
11	Blocking ring for hole
12	Microswitch
13	bracket for microswitch
14	Button for sharpening stone
15	sharpening stone
16	axis of sharpening stone
(16-1)	axis of trim stone
17	trim stone
18	stand of stone
(18-1)	cover
19	handlebar
20	stand of sharpener
21	button for trim stone
22	blade protection ring(include screw)
23	locking plate
24	wire and plug
25	pole
26	body
27	feet
28	switch
29	capacitor
30	bottom
31	Adjusting handlebar
32	digital ring plate
33	digital ring

34	cam
35	slide holder
36	slide axis
37	Axis for slide holder
38	holder for locking plate
39	locking nut for locking plate
40	sealing ring for locking plate
41	scraping board
42	locking board for circle orbit
43	spring for circle orbit
44	circle orbit
45	sliding frame
46	square orbit
47	Spherical Bearings
48	Axis for sliding frame
49	carriage stand
50	carriage
51	Circlip
52	pole for carriage
53	bearing for pole of carriage
54	handle of pressor
55	pressor
56	French countersunk head screw
57	protection board (includes screw)
58	motor
59	bracket for motor
60	Hinge axis
61	belt
62	U type handle
63	Aluminum handle ( only for HBS-250L & HBS-300L)
64	round handle