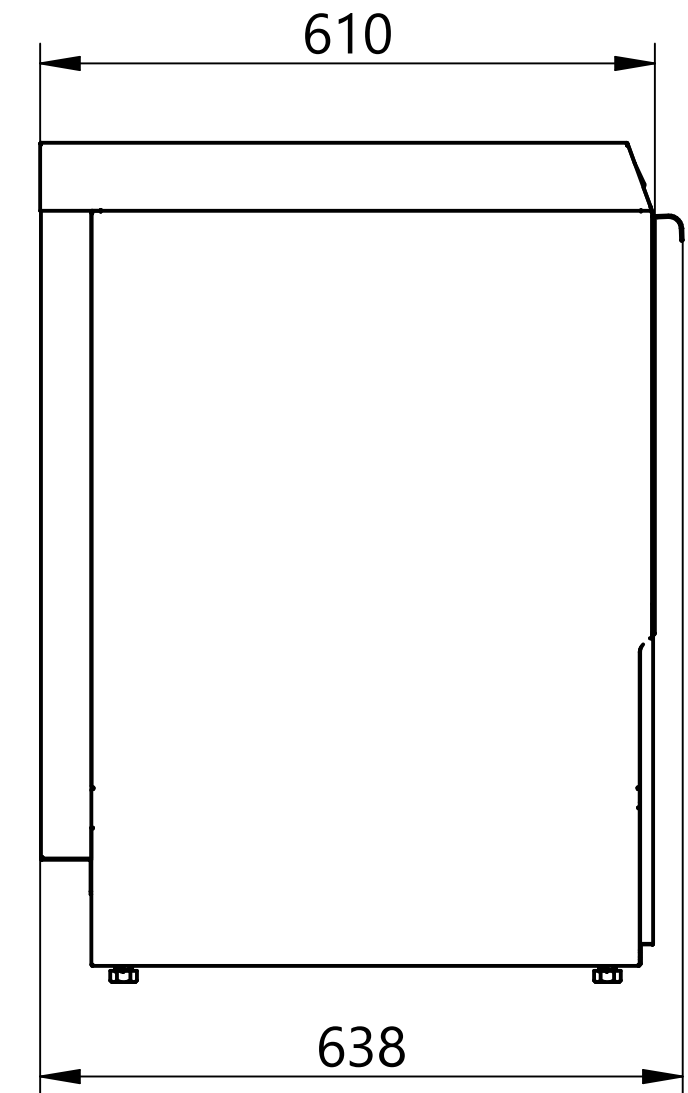
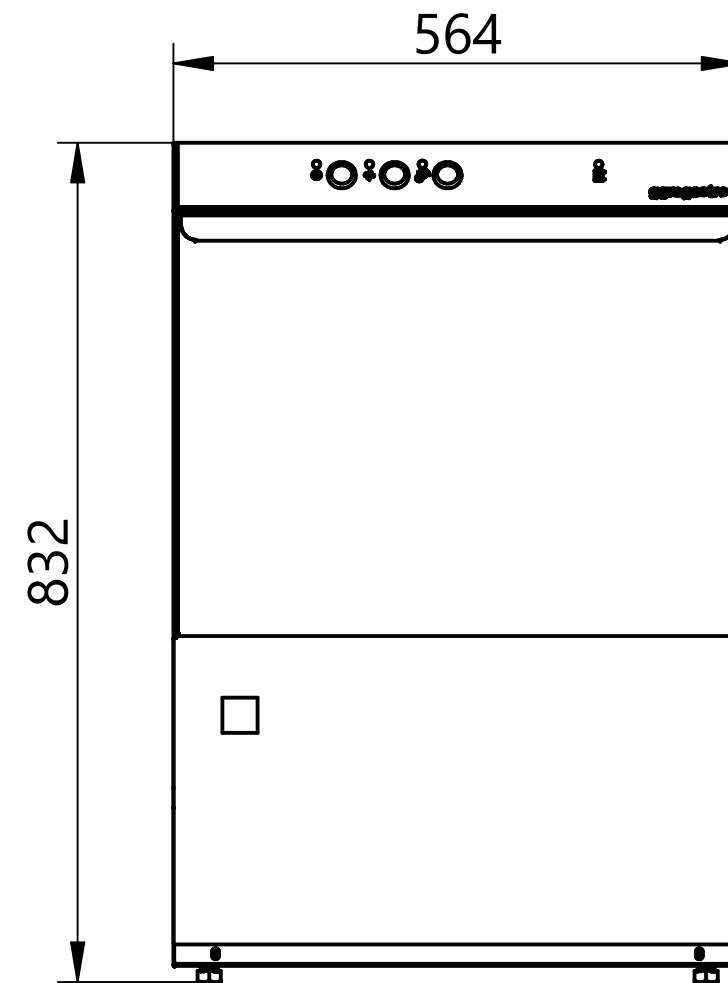


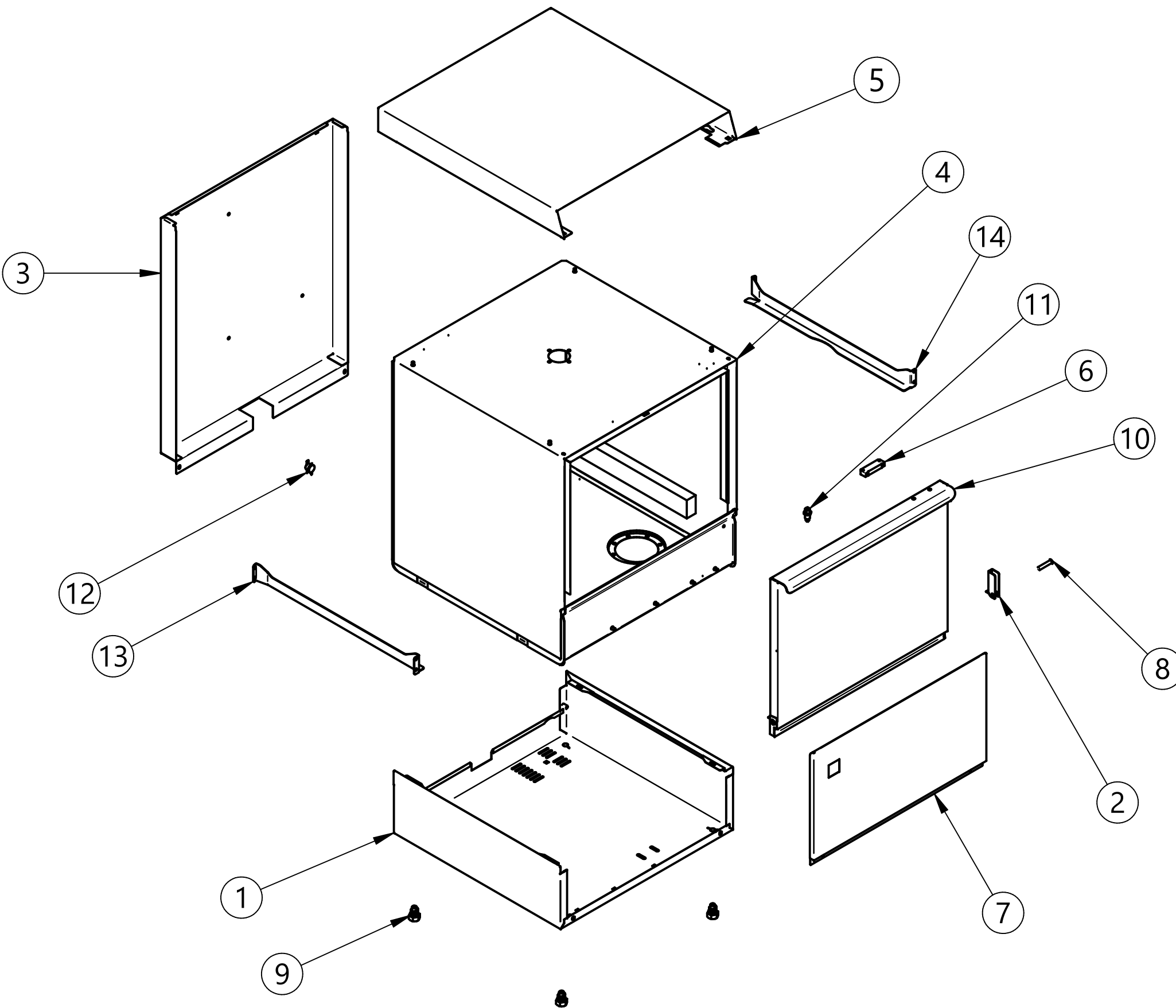
EXV082 - Exploded View - GGM - 100240/100241

Chapter	Description	Page
1	CABINET AND PANELS	2
2	WASHING SYSTEM	3
3	SPRAY ARMS	4
4	ELECTRONICS	5
5	DISPENSER	6
6	DRAIN PUMP	7
7	BOILER	8

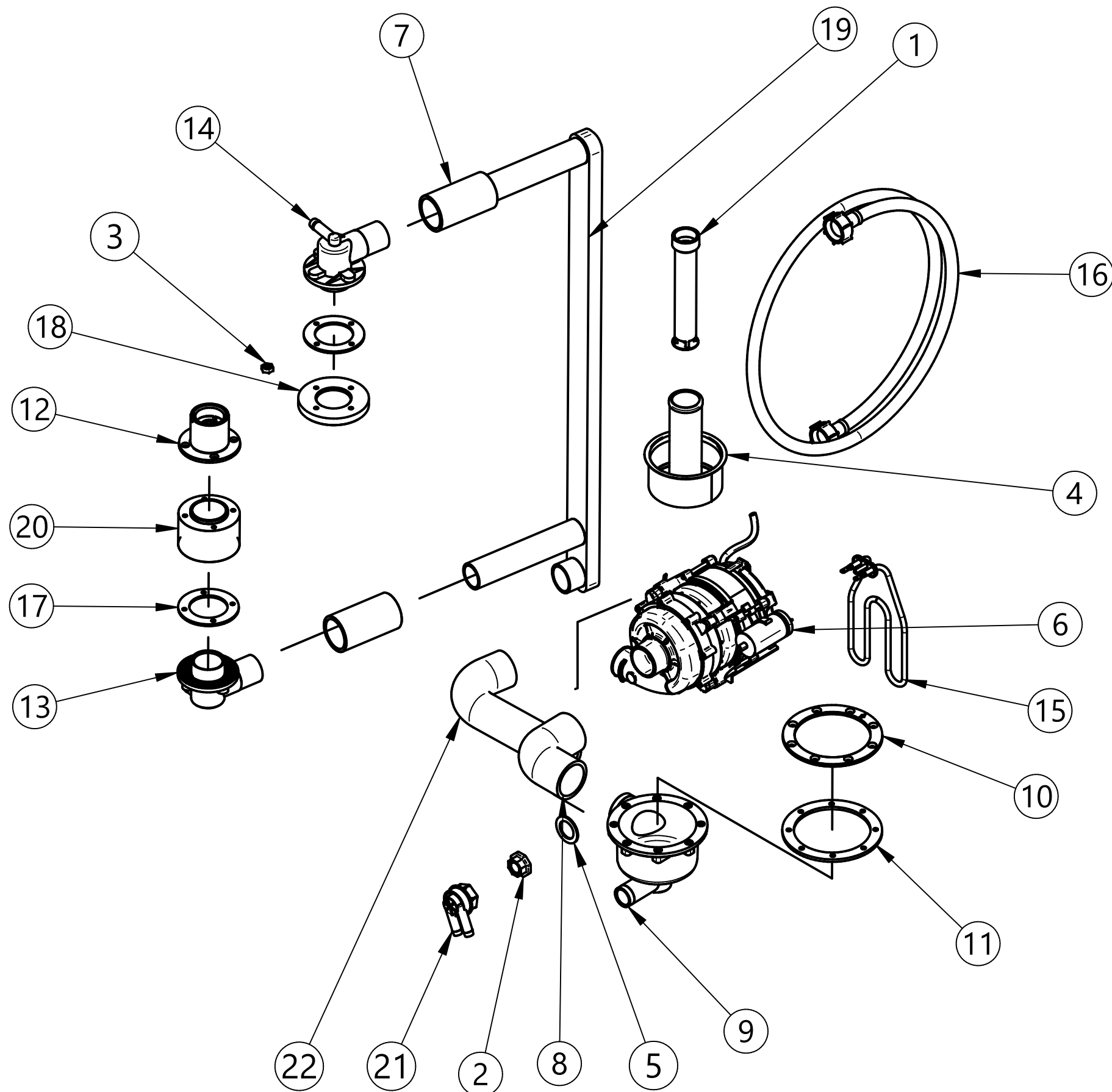


CABINET & PANELS

Item number	Code	Description	Quantity
1	900254	BASEMENT E50	1
2	901245	HINGE FOR DISHWASHER DOOR	2
3	901802_B	BACK PANEL E50 2015	1
4	902791	TUB E50 8-HOLES PIT	1
5	903119_A	UPPER PANEL E50 ECO WITH MICRO	1
6	903651_A	MAGNET + FRONT COVER	1
7	904508	LOWER PANEL E50 MONO-WALL	1
8	904795_A	PIN FOR DOOF	2
9	905000_A	DISHWASHER FOOR PVC NEW	4
10	905185_A	DOOR N700-E50 WITH I.H.	1
11	906121_A	LOCKER WITH WHEEL AND M12 NUT	1
12	907244	TUB THERMOSTAT 55° PAD	1
13	909954	RH BASKET GUIDE	1
14	909955	LH BASKET GUIDE	1

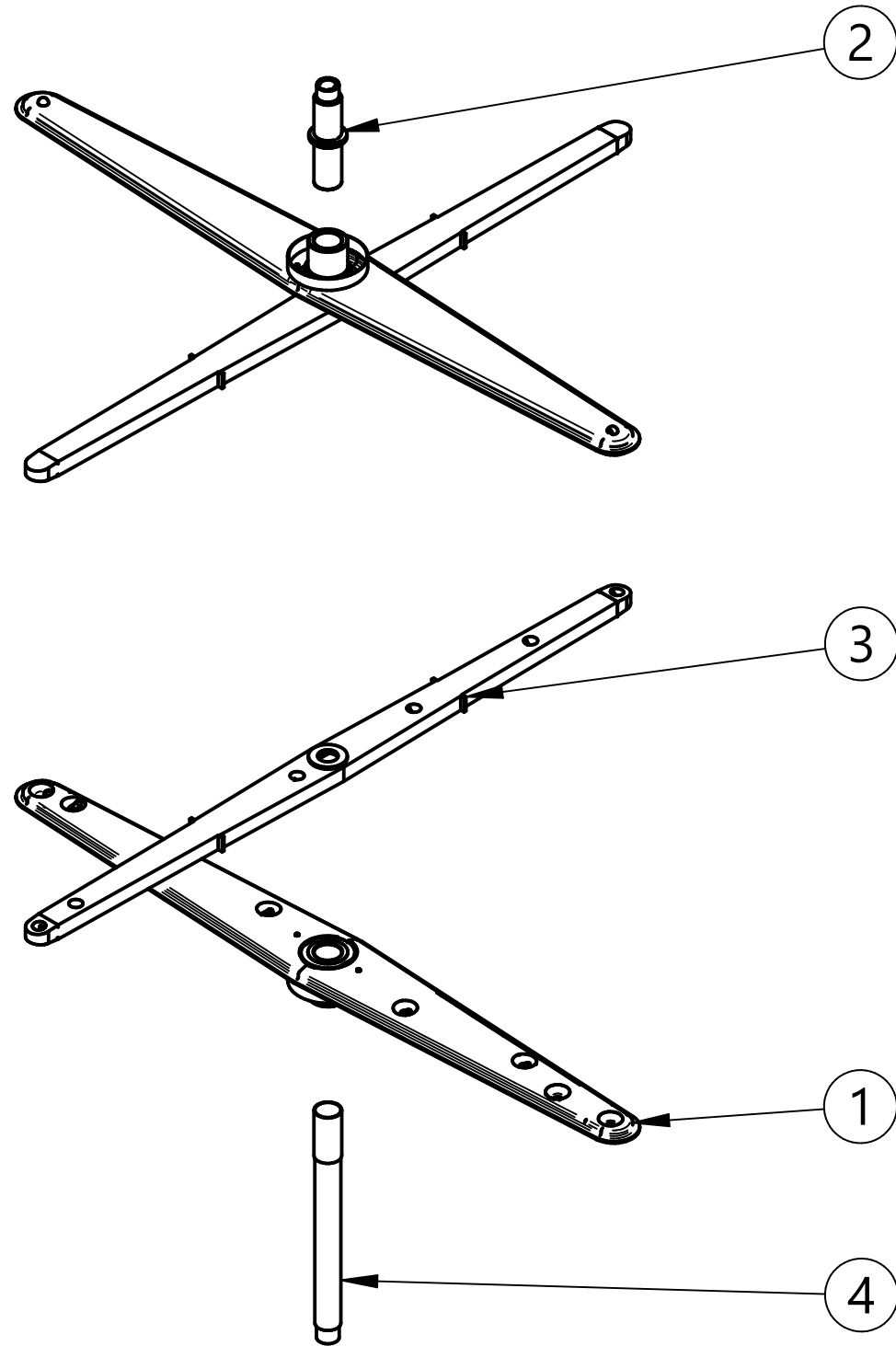


WASHING SYSTEM



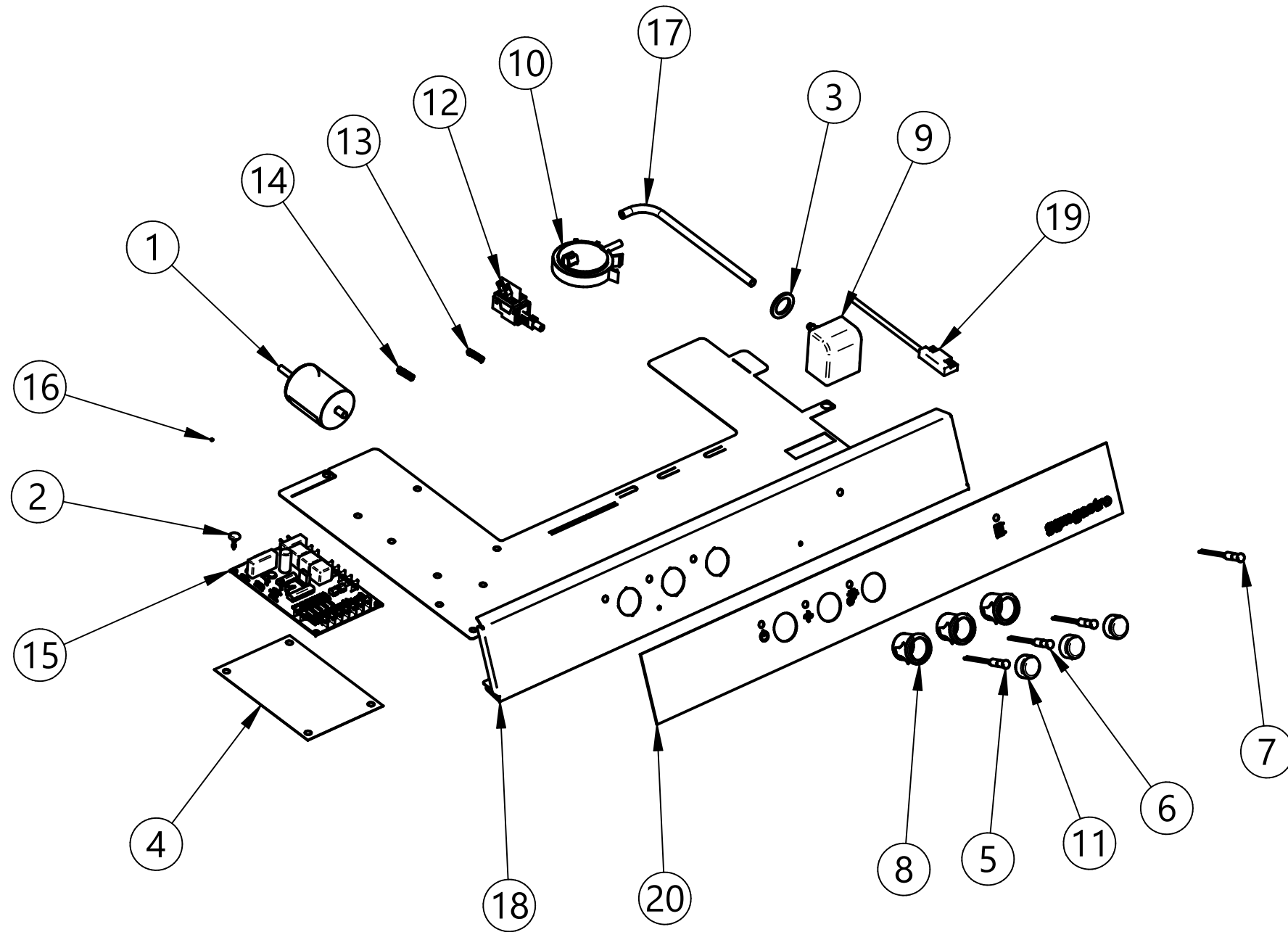
Item Number	Code	Description	Quantity
1	900129_A	T00-FULL PIPE N650-N750-E45-E50 PS 2015	1
2	902111_A	NUT 3/8" PPL	1
3	902132_A	NUT RO INSTALLATION IN BACK PANN.	1
4	902399_A	FILTER WITH CYLINDER PPL H140MM Ø98MM	1
5	903290_A	3/4 SEALER FOR NO-RETURN VALVE	1
6	903489_A	PUMP 0.40KW 230/1/50 N700-N750-E45-E50	1
7	903756_A	PIPE OUT. N45/N50/N90/N700FH	2
8	903758_A	SLEEVE SUCT. N700	1
9	905236_A	POZZ. ASPIRAZ. OVERSIZED SUCT. Ø45	1
10	905238_A	OVERSIZED SUMP FLANGE SUCT./UNLO.	1
11	905378_A	SUMP GASKET TYPE NEW 2013	1
12	905388_A	WASHING BOTTOM FITTING	1
13	905449_A	LEFT WASHING HUB DISHWASHER	1
14	905456_A	RIGHT WASHING HUB DISHWASHER	1
15	905745_A	TUB RESIST. 2.5KW 230V	1
16	907440_A	DRAIN PIPE Ø24 1500MM	1
17	908141_C	GASKET FITTING WASHING	2
18	908154_A	PLATE WASHER TOP HUB FLANGE	1
19	908701_A	WASHING COLUMN N700/E50	1
20	908702_A	SPACER RECC. WASH. N700/N750	1
21	908762_A	3/4 NO-RETURN VALVE EXTERNAL	1
22	909371_A	DELIVERY SLEEVE N750/E50/E45	1

SPRAY ARMS



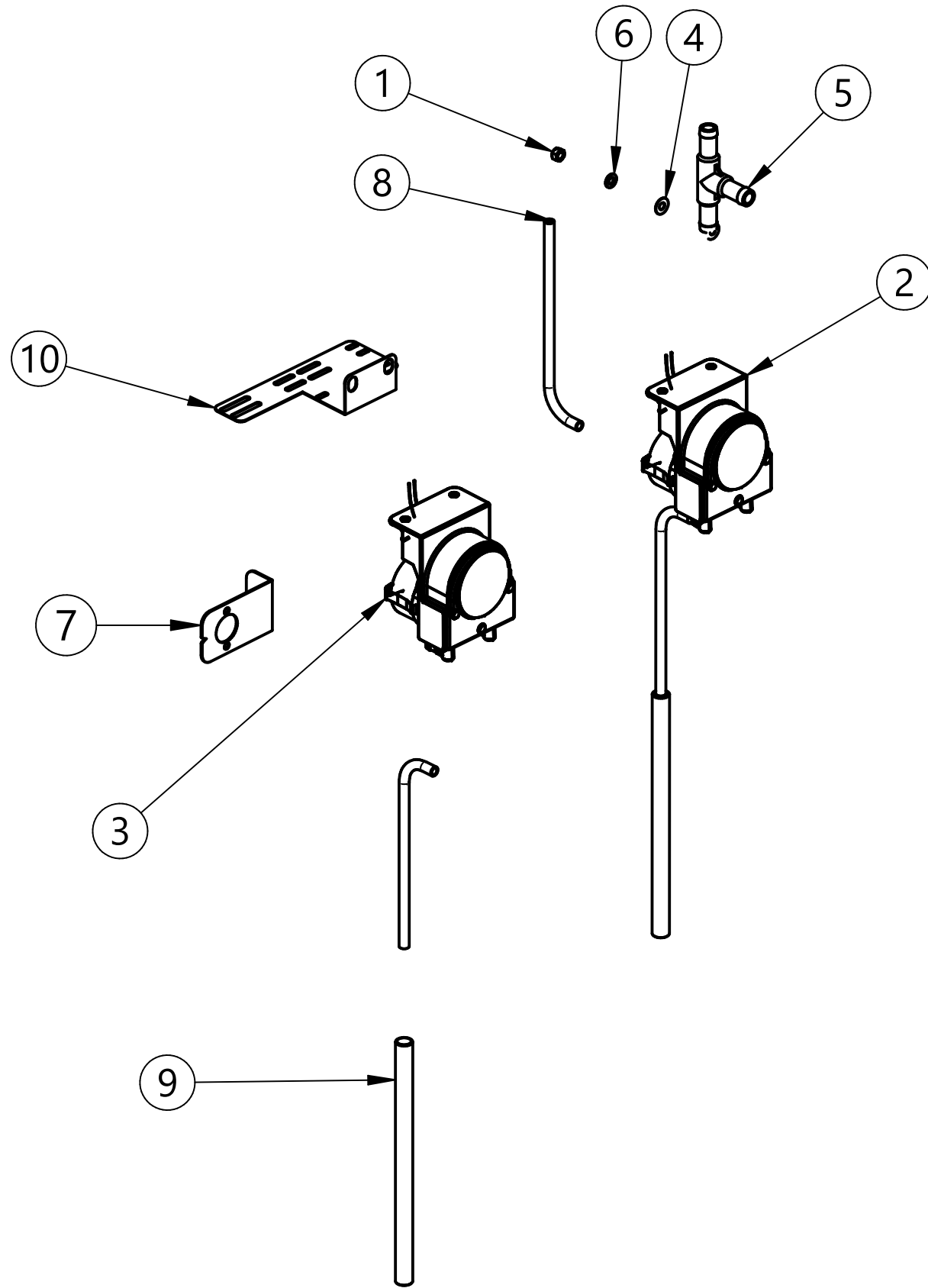
Item number	Code	Description	Quantity
1	903107_A	WASHING SPRAY ARM 4 WITH HUB	2
2	904799_A	UPPER WASHING PIN N600/N700/N45/N50	1
3	907958.204	RINSING SPRAY ARM ASSEMBLY 4 PPL	2
4	908705_A	LOWER WASHING PIN N600/N700/E45/E50	1

ELECTRONICS



Item number	Code	Description	Quantity
1	902107_A	THREE-PHASES ANTI-NOISE FILTER	1
2	902193_A	ELECTRIC TIMER SPACER	4
3	903260_A	SEALER 3/8 AIR TRAP	1
4	903623_A	BOARD INSULATOR 133 x 90	1
5	903648_A	LED ϕ 6 GREEN+WIRES F/F	1
6	903686_A	LED ϕ 6 ORANGE+WIRESCICLO_DEP.	2
7	903689_A	LED ϕ 6 ORANGE+WIRES BOILER	1
8	905227	ROUND BUTT. SUPP. ϕ 25 GOFFRED GRAY RAL7015	3
9	905262_A	AIR TRAP 90MM CLEAR GRAY	1
10	905264_A	PRESSOSTAT 35/17	1
11	905290	ROUND BUTTON ϕ 25 GLOSS BLACK	3
12	905312_A	SWITCH 2 FASTON INCLINED	1
13	905314_A	SWITCH 6 FASTON INCLINED	1
14	905447_A	SWITCH 4 FASTON INCLINED	1
15	907169_A	BOARD TRONIC CLONE ELCA	1
16	907190	SWITCHER 9A 230V WITH LOVATO ACTUATOR	1
17	907455_A	PRESSOSTAT PIPE 5X8 PVC BLACK	1
18	907909	PLATE HOLDER E50 ECO 2- 3 min. NO LOWERING	1
19	909285_A	MAGNETIC REED FOR ELECT. DISHWASHERS	1
20	909608_B	PLATE E50 2-3 MINUTES BLACK GGM	1

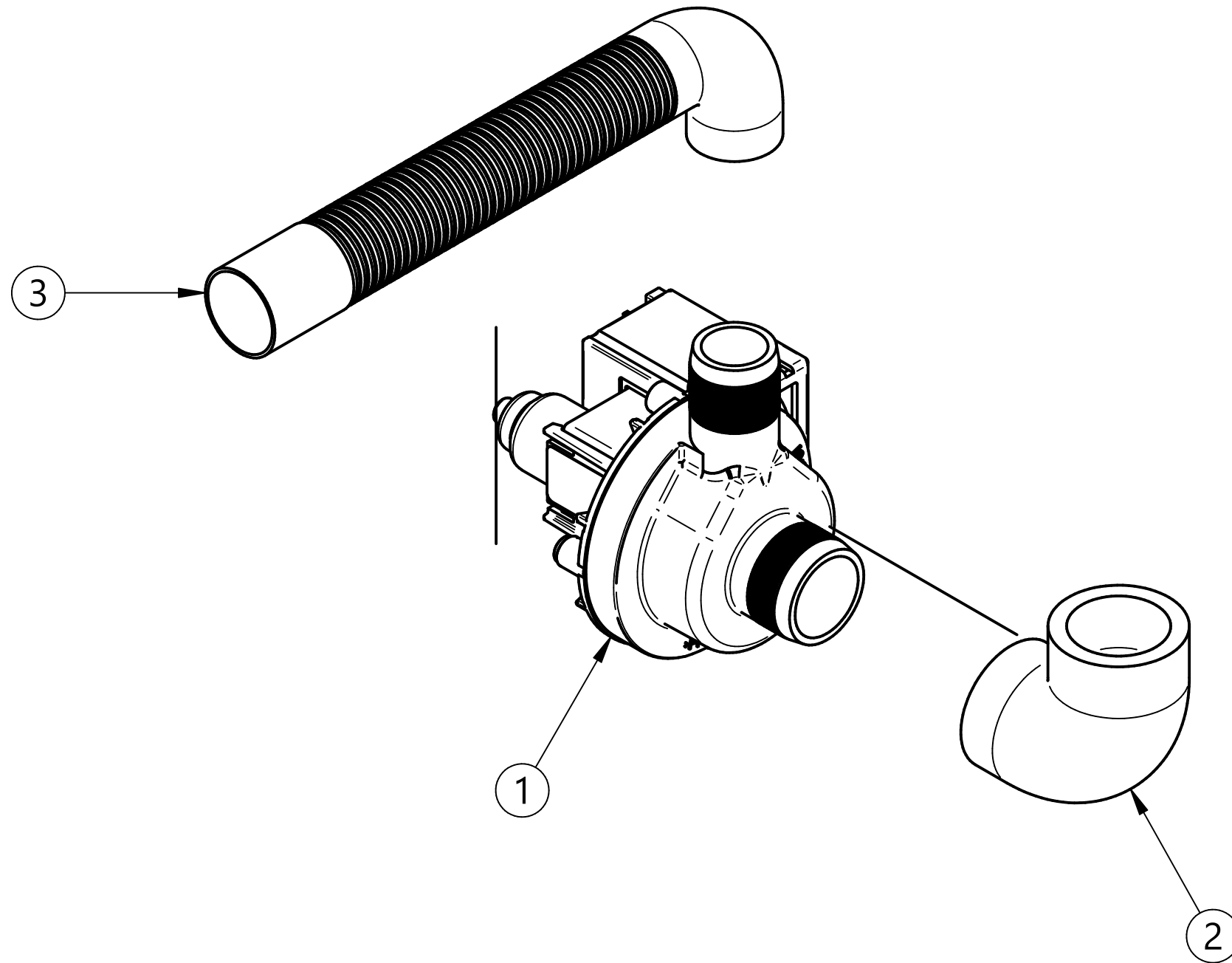
DISPENSER



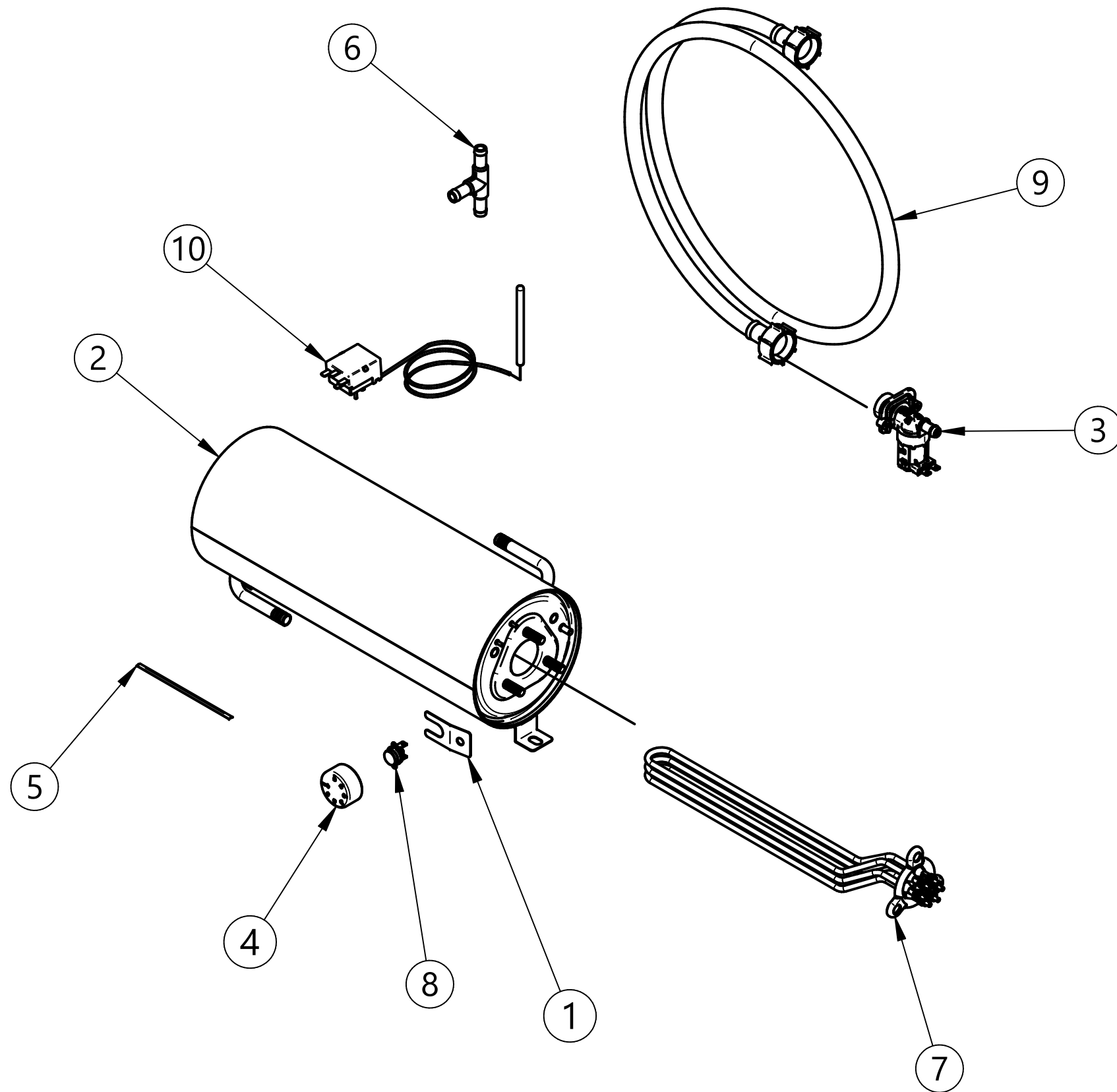
Item Number	Code	Description	Quantity
1	902030_A	SELF-LOCKING M5 NUT	1
2	902052_A	PERISTALTIC SOAP DISPENSER SEKO	1
3	902062_A	TIMED PERISTALTIC RINSE DISPENSER SEKO	1
4	903253_A	SEALING FOR DISP./VENT CONNECTION PS	2
5	905434_A	3-WAY CONNECTOR FOR DISPENSER ON PUMP	1
6	906010_A	M5 PLANE WASHER	1
7	906312_A	SUPP. FOR THERMOSTAT/DISPENSER	1
8	907278_A	CRYSTAL RED PIPE 4X6	3
9	907456_A	INOX WEIGHT 190 mm SOAP/RINSE PIPE	2
10	952820	DOUBLE DISPENSER SUPPORT	1

DRAIN PUMP

Item Number	Code	Description	Quantity
1	903269_A	DRAIN PUMP 220V 50HZ 30W Type P25	1
2	903672_A	DRAIN PUMP SLEEVE E45-E50-N650-N750	1
3	907439_A	DRAIN PIPE ϕ 19 90° 2000MM PS	1



BOILER



Item number	Code	Description	Quantity
1	900187_A	SUPP. FOR THERMOSTAT PAD 2015	1
2	900386_A	BOILER 600-700-N45-N50-N90-E45-E50 5LT. +RES.4.5KW	1
3	902390_A	ELETTROV. 1 WAY Ø10	1
4	903982_A	KNOB FOR ADJUSTABLE THERMOSTAT 0/90° IMIT	1
5	904075_A	BRASS SLAT	1
6	905382_A	3-WAY FITTING	1
7	905560_A	BOILER RE./TUB D.R. 4.5KW 230V +OR	1
8	907297_A	THERMOSTAT SICUR. 110° PAD	1
9	907348_A	LOADING HOSE 90° 1500MM S 800 HW	1
10	TR0440_A	BOILER THERMOSTAT 0_90 DISHWASHER	1