

Drawing



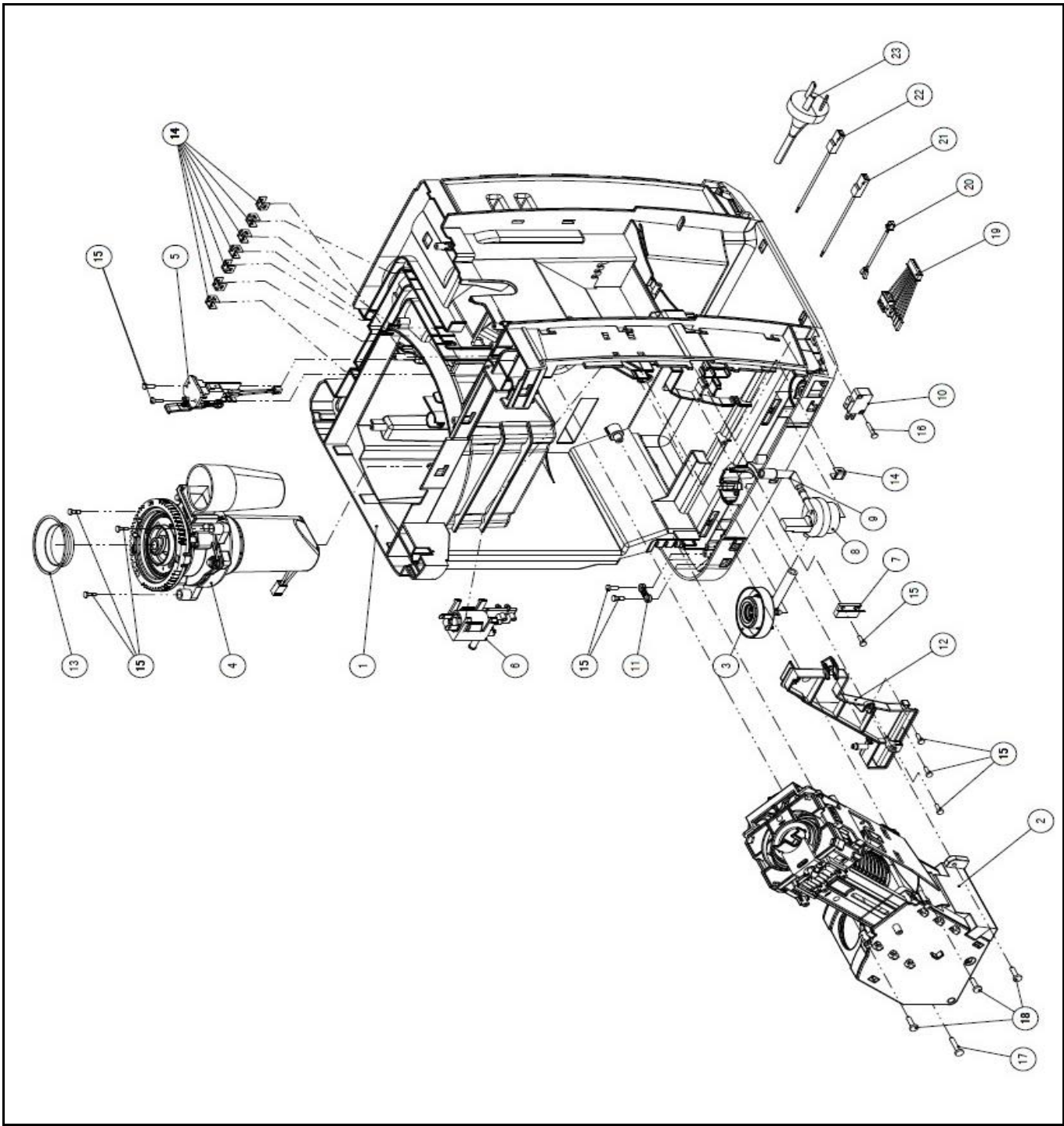
Hendi B.V.
Steenoven 21
3911 TX Rhenen
The Netherlands

Batch #
000000


Appliance part#
208892

Description
Fully automatic coffee machine Profi line

Date	01-04-2016	Revision #	Revision version
Revision	First bill of materials (BOM)		



Bill of materials (BOM)

 <p>Hendi B.V. Steenoven 21 3911 TX Rhenen The Netherlands</p>	Batch #	Appliance part#
	000000	208892
	Description	
Fully automatic coffee machine Profi line		


Date	01-04-2016	Revision #	Revision version
Revision	First bill of materials (BOM)		

Item	Description	Part#	Quantity	Remark	Picture
1	Frame	n/a	1		
2	Brew unit (complete)	934548	1		
3	Water inlet valve	934470	1		
4	Grinder group (complete)	934449	1		
5	Microswitch	n/a	1		
6	Solenoid valve	934524	1		
7	Reed sensor	n/a	1		
8	Flowmeter	934272	1		
9	Tube (elbow)	n/a	1		
10	Microswitch	n/a	1		
11	Power cord retaining clip	n/a	1		
12	Frame support	n/a	1		
13	Seal coffee container	n/a	1		
14	Clamp	n/a	8		
15	Screw ST3,0x10	n/a	11		
16	Screw ST3,0x18	n/a	1		
17	Screw M4x20	n/a	1		
18	Screw M4x14	n/a	3		
19	Wiring (9pins)	n/a	1		
20	Wiring	n/a	1		
21	Wiring	n/a	1		
22	Wiring	n/a	1		
23	Power cord H05VV-F 3x0,75mm ²	n/a	1		

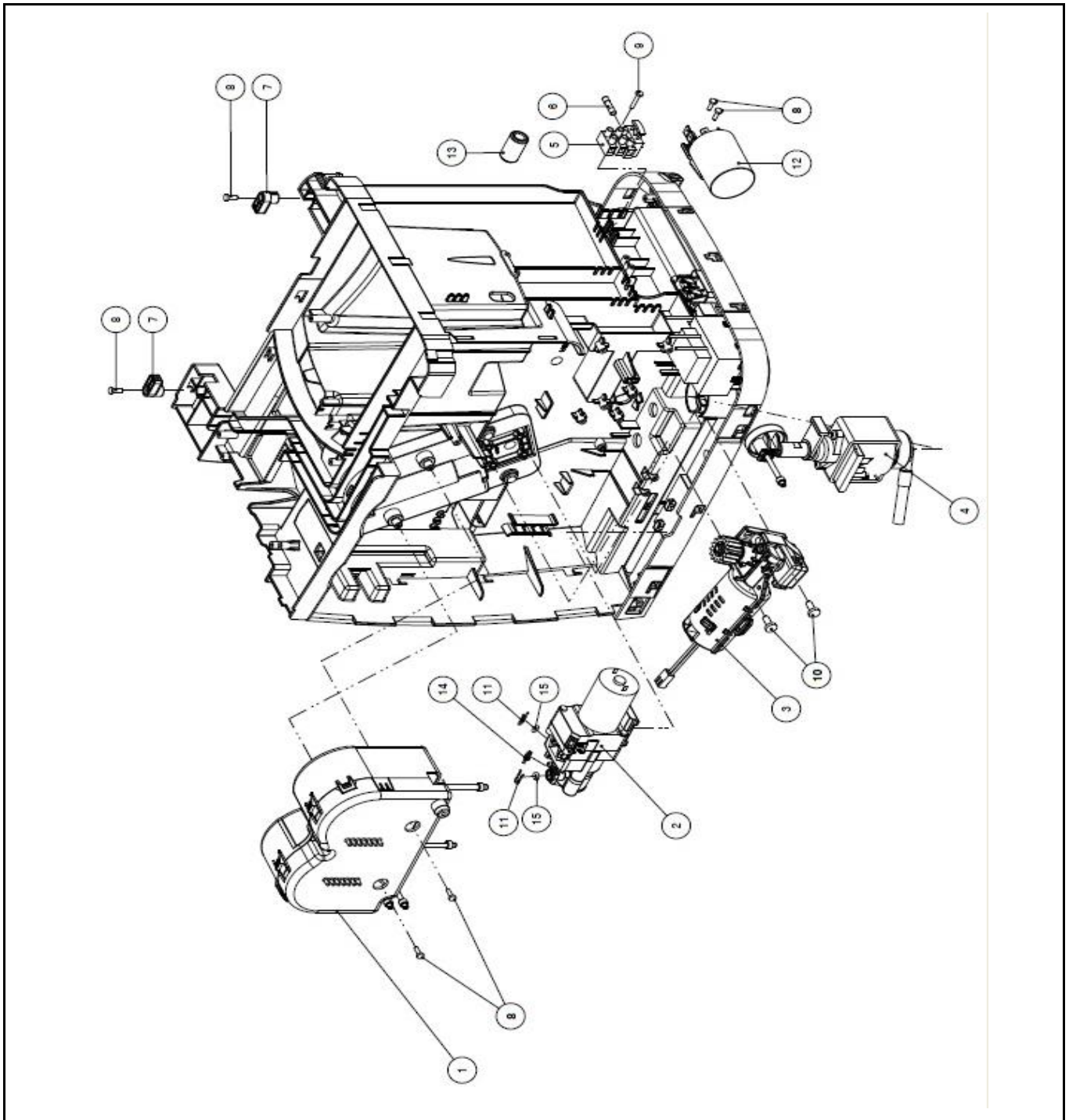
n/a -> not available

nss -> not sold separately


Drawing 2

 <b style="font-size: 2em; font-weight: bold; margin-left: 10px;">HENDI FOOD SERVICE EQUIPMENT Hendi B.V. Steenoven 21 3911 TX Rhenen The Netherlands	Batch #	Appliance part#
	0000000	208892
	Description	
	Fully automatic coffee machine Profi line	

Date	01-04-2016	Revision #	Revision version
Revision	First bill of materials (BOM)		



Bill of materials (BOM) 2

 HENDI FOOD SERVICE EQUIPMENT Hendi B.V. Steenoven 21 3911 TX Rhenen The Netherlands	Batch #	Appliance part#
	000000	208892
	Description	
Fully automatic coffee machine Profi line		

Date	01-04-2016	Revision #	Revision version
Revision	First bill of materials (BOM)		

Item	Part	Part#	Quantity	Remark	Picture
1	Thermo block	n/a	1		
2	Valve 6-way (complete)	934432	1		
3	Motor gear (complete)	934531	1		
4	Water pump (complete)	934517	1		
5	Terminal with fuseholder	n/a	1		
6	Fuse 10Amp	934296	1		
7	Screw support	n/a	2		
8	Screw ST3,0x10	n/a	6		
9	Screw ST3,0x18	n/a	1		
10	Screw M5x12	n/a	2		
11	Clamp	n/a	2		
12	Noise filter	n/a	1		
13	Emifil	n/a	1		
14	Tube clip	n/a	1		
15	O-Ring 3,3 x 7,3	934227	2		

n/a -> not available

nss -> not sold separately

Drawing 3



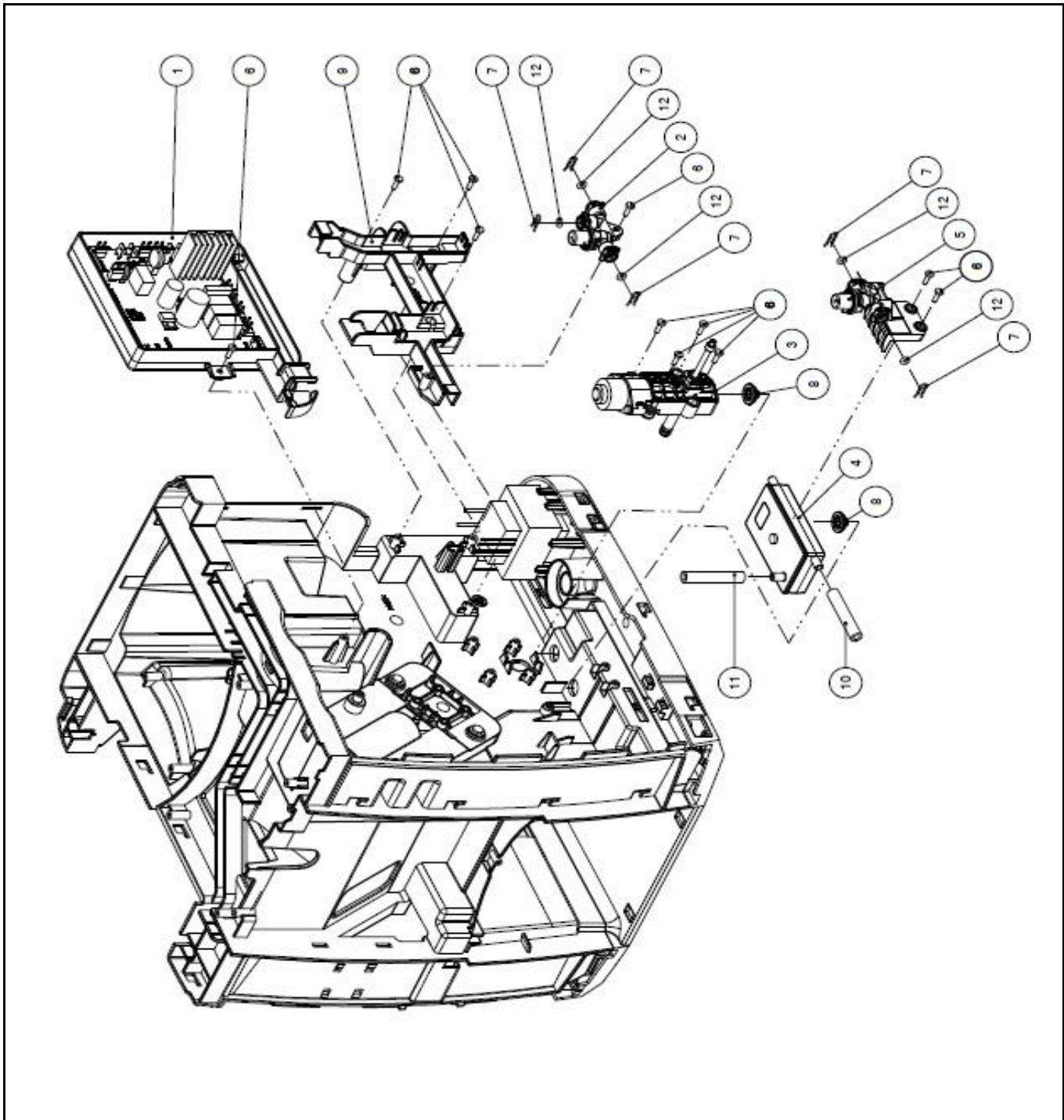
Hendi B.V.
 Steenoven 21
 3911 TX Rhenen
 The Netherlands

Batch #	Appliance part#
0000000	208892


Description

Fully automatic coffee machine Profi line

Date	01-04-2016	Revision #	Revision version
Revision	First bill of materials (BOM)		



Bill of materials (BOM) 3

 HENDI FOOD SERVICE EQUIPMENT Hendi B.V. Steenoven 21 3911 TX Rhenen The Netherlands	Batch #	Appliance part#
	000000	208892
	Description	
Fully automatic coffee machine Profi line		


Date	01-04-2016	Revision #	Revision version
Revision	First bill of materials (BOM)		

Item	Description	Part#	Quantity	Remark	Picture
1	Main pcb	934555	1		
2	Connector 3-Way (with non return valve)	934456	1		
3	Drainage valve	934487	1		
4	Condensator	n/a	1		
5	Connector 2-Way (with non return valve)	934463	1		
6	Screw ST3,0x10	n/a	11		
7	Clamp	n/a	5		
8	Drainage seal ring	n/a	2		
9	Wiring	n/a	1		
10	Silicone pipe	n/a	1		
11	Silicone pipe	n/a	1		
12	O-ring 3,3 x 7,3	934227	5		

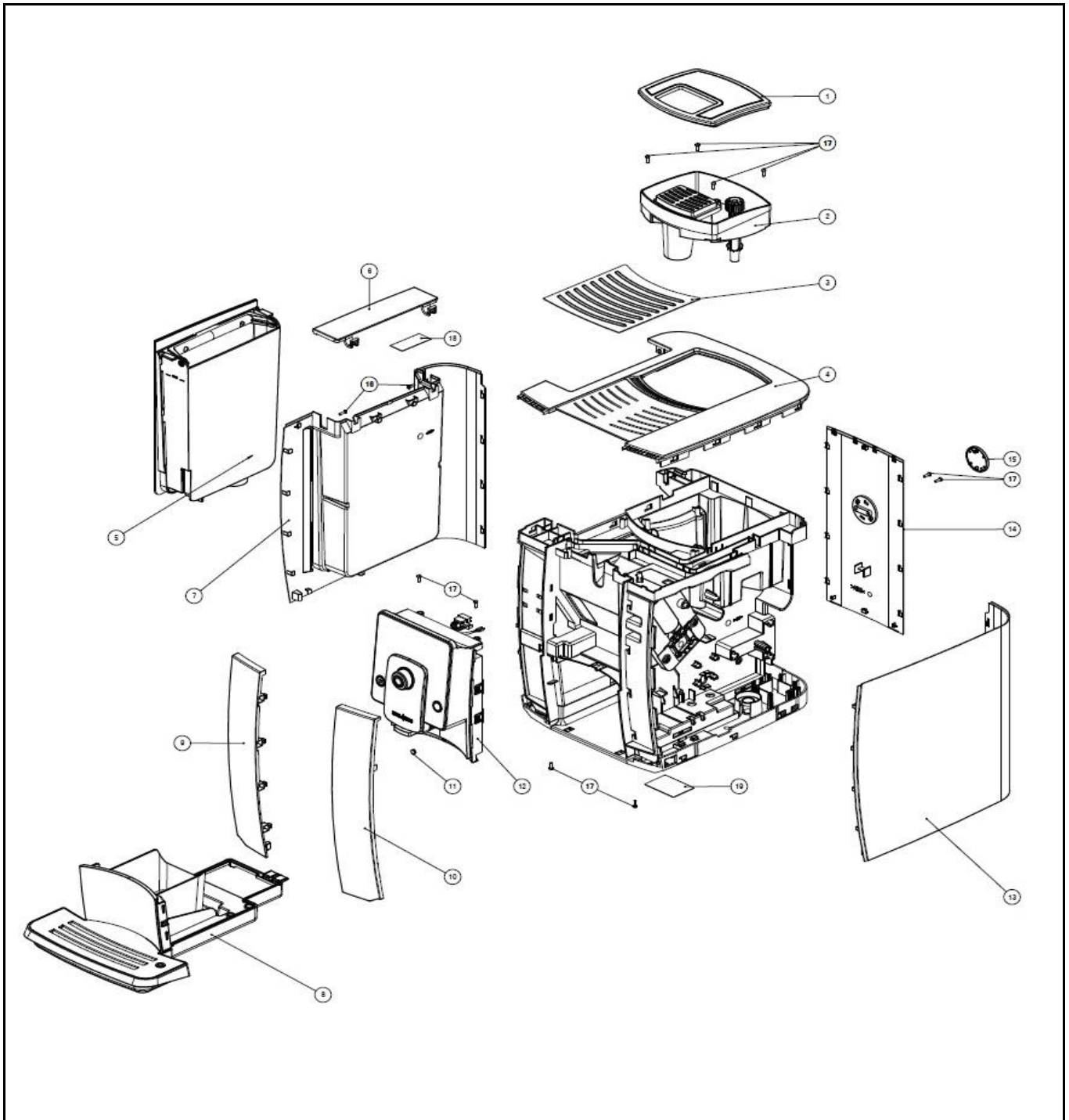
n/a -> not available

nss -> not sold separately


Drawing 4

 HENDI FOOD SERVICE EQUIPMENT Hendi B.V. Steenoven 21 3911 TX Rhenen The Netherlands	Batch #	Appliance part#
	0000000	208892
	Description	
	Fully automatic coffee machine Profi line	

Date	01-04-2016	Revision #	Revision version
Revision	First bill of materials (BOM)		



Sparepart list 1

 <b style="font-size: 2em; color: red;">HENDI FOOD SERVICE EQUIPMENT Hendi B.V. Steenoven 21 3911 TX Rhenen The Netherlands	Batch #	Appliance part#
	000000	208892
	Description	
	Fully automatic coffee machine Profi line	


Date	01-04-2016	Revision #	Revision version
Revision	First bill of materials (BOM)		

208854 Sparepart list 1



Item	Description	Part #	Quantity
1	Valve 6-way	934432	1
2	Grinder group	934449	1
3	Connector 3-way (with non-return valve)	934456	1
4	Connector 2-way (with non-return-valve)	934463	1
5	Inlet valve water	934470	1
6	Drainage valve	934487	1
7	Display panel (complete)	934494	1
8	Coffee nozzle (complete)	934500	1
9	Pump	934517	1
10	Solenoid valve	934524	1
11	Gear motor	934531	1
12	Brew unit complete	934548	1
13	Main pcb	934555	1
14	Water tank	934562	1
15	Foam unit	934579	1
16	Coffee brewing group	934586	1
17	Flow meter	934272	1

Sparepart list 2

 <b style="font-size: 2em; color: red;">HENDI FOOD SERVICE EQUIPMENT Hendi B.V. Steenoven 21 3911 TX Rheden The Netherlands	Batch #	Appliance part#
	000000	208892
	Description	
	Fully automatic coffee machine Profi line	


Date	01-04-2016	Revision #	Revision version
Revision	First bill of materials (BOM)		

208854 Sparepart list 2

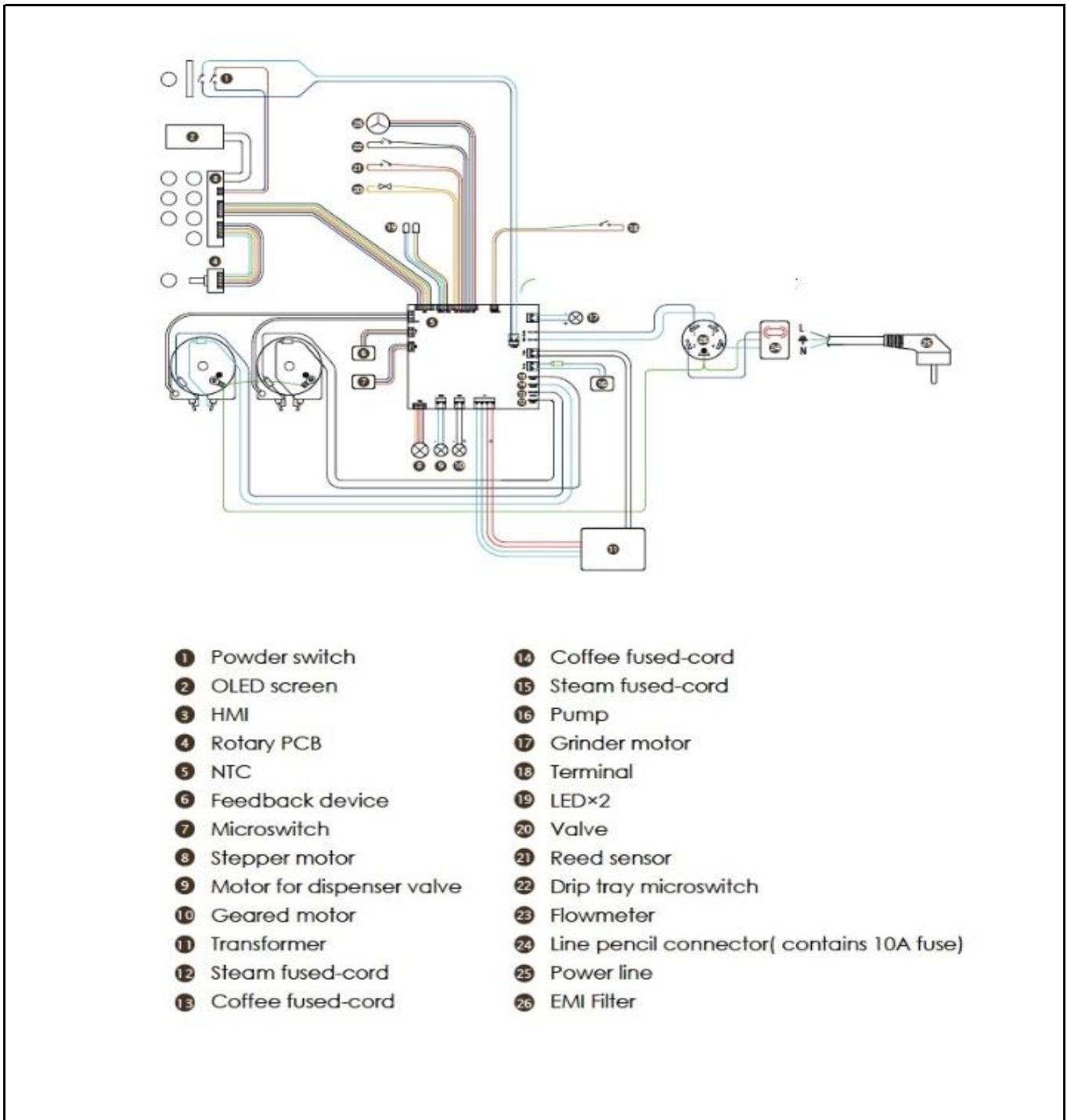


Item	<u>Description</u>	Part #	<u>Quantity</u>
1	O-Ring 3.3 x 7.3	934227	1
2	Y-Ring 14.9 x 22.1 (gasket water tank)	934234	1
3	O-Ring 5 x 8.6	934241	1
4	Y-Ring 3.6 x 12.1	934258	1
5	O-Ring brew unit	934265	1
6	Milk hose with connector	934289	1
7	Milk hose	Nss	1
8	Fuse 10Amp	934296	1
9	Fuse 2Amp	934319	1
10	Fuse 1 Amp	934302	1
11	Holder hose drip tray	934326	1
12	Steam nozzle	934340	1
13	Collector	934357	1
14	Connector I	934364	1
15	Connector F	934371	1
16	Connector L	934388	1
17	Foam nipple	934395	1

Circuit diagram


 <b style="font-size: 2em; font-weight: bold; color: red;">HENDI FOOD SERVICE EQUIPMENT Hendi B.V. Steenoven 21 3911 TX Rhenen The Netherlands	Batch #	Appliance part#
	000000	208892
	Description	
	Fully automatic coffee machine Profi line	

Date	01-04-2016	Revision #	Revision version
Revision	First bill of materials (BOM)		



- | | |
|--|--|
| <ul style="list-style-type: none"> ➊ Powder switch ➋ OLED screen ➌ HMI ➍ Rotary PCB ➎ NTC ➏ Feedback device ➐ Microswitch ➑ Stepper motor ➒ Motor for dispenser valve ➓ Geared motor ➑ Transformer ➒ Steam fused-cord ➓ Coffee fused-cord | <ul style="list-style-type: none"> ➑ Coffee fused-cord ➒ Steam fused-cord ➓ Pump ➑ Grinder motor ➒ Terminal ➓ LED×2 ➑ Valve ➒ Reed sensor ➓ Drip tray microswitch ➑ Flowmeter ➒ Line pencil connector(contains 10A fuse) ➓ Power line ➑ EMI Filter |
|--|--|

Water circuit diagram

 <b style="font-size: 2em; font-weight: bold; color: red;">HENDI FOOD SERVICE EQUIPMENT Hendi B.V. Steenoven 21 3911 TX Rhenen The Netherlands	Batch #	Appliance part#
	000000	208892
	Description	
	Fully automatic coffee machine Profi line	

Date	01-04-2016	Revision #	Revision version
Revision	First bill of materials (BOM)		

