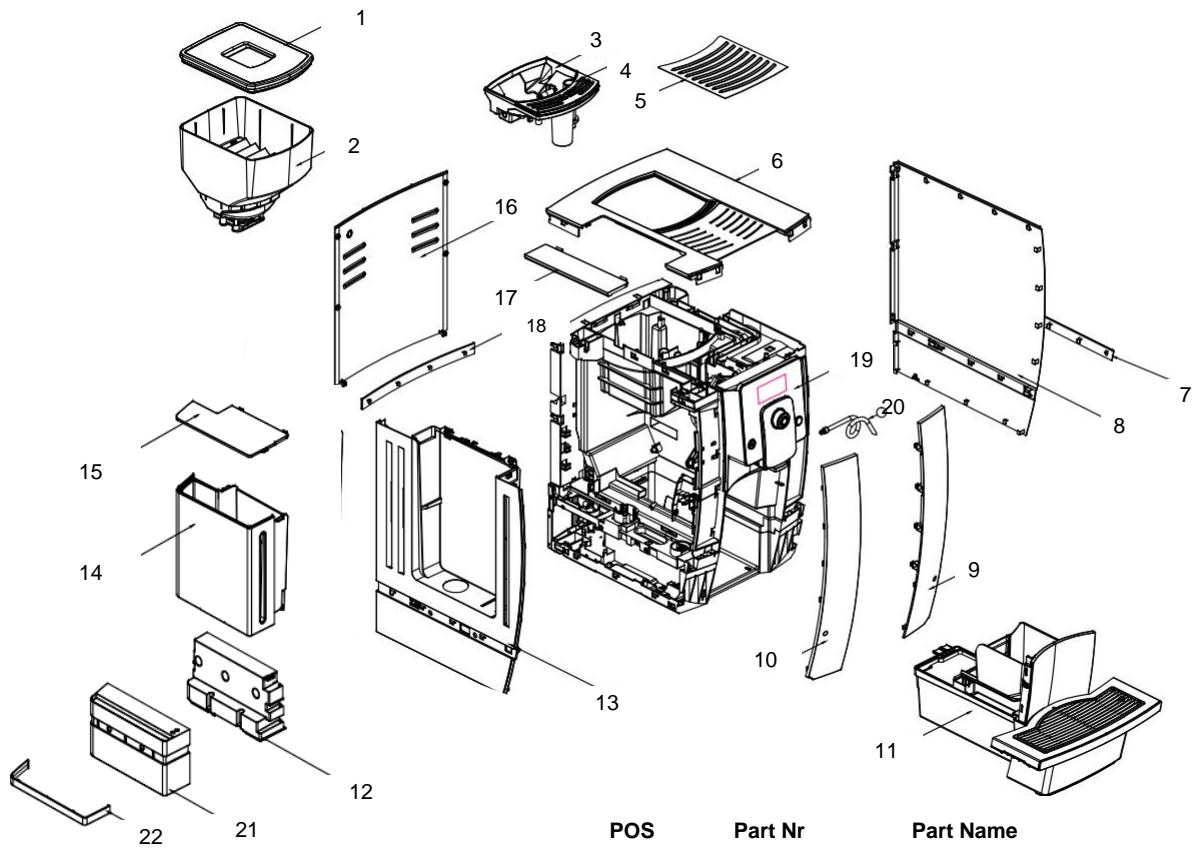




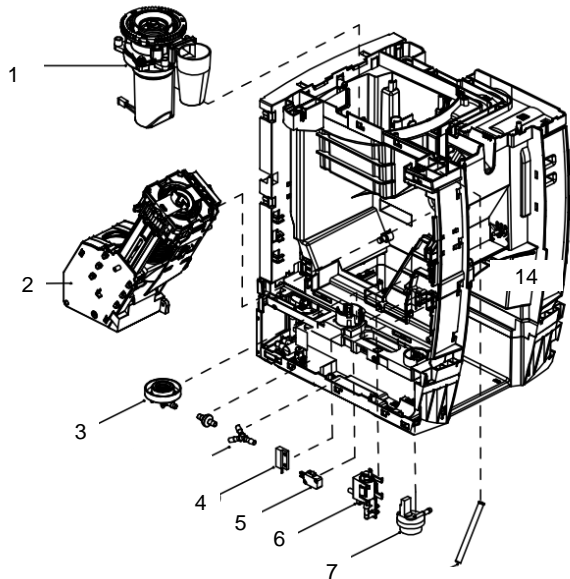
K1601L

Exploded view

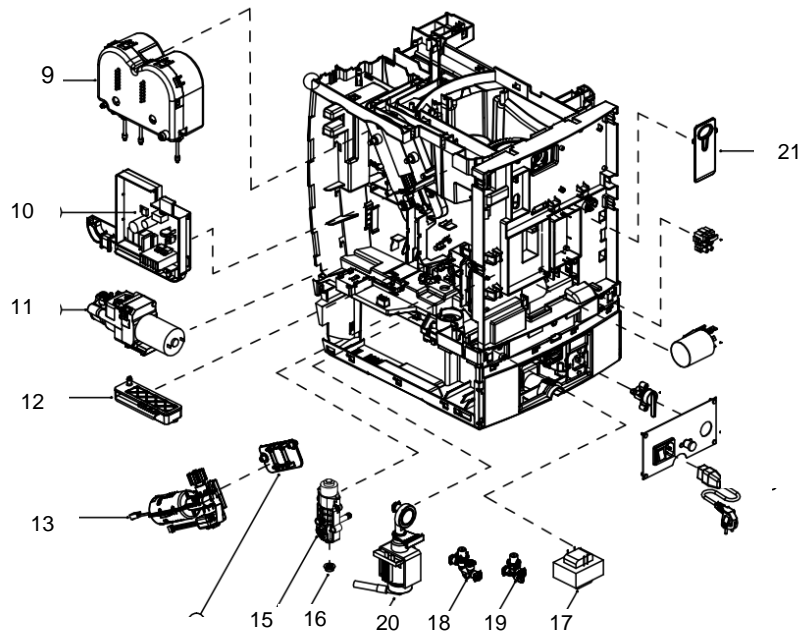


POS	Part Nr	Part Name
1.	8.81.03.01.006	Bean hopper lid
2.	8.81.03.01.004	Bean container group
3.	8.81.03.03.001	Bean box support assembly-QB
4.	7.90.00387	Powder chute cover
5.	7.90.00161	Cup warmer
6.	7.90.00348	Top cover
7.	7.90.00353	Decoration strip
8.	7.90.00349	Right side panel
9.	7.90.00347A-B	Front cover right - Black
10.	7.90.00346A-B	Front cover left-Black
11.	8.81.03.01.001	Drip tray group assembly-K
12.	7.90.00421	6L water tank basement
13.	7.90.00350	Left side panel
14.	7.90.00355+ 8.81.01.02.005	Water tank decorated cover
15.	7.90.00418	6L water tank cover
16.	7.90.00351	Back cover panel-K
17.	7.90.00356	1.8L water tank cover
18.	7.90.00354	Decoration strip
19.	8.81.01.01.007GS	Display panel assembly
20.	8.81.01.01.066	Milk tube assembly

POS	Part Nr	Part Name
21	7.90.00422	Basement decorated cover
22	7.90.00423	Water tank decoration strip

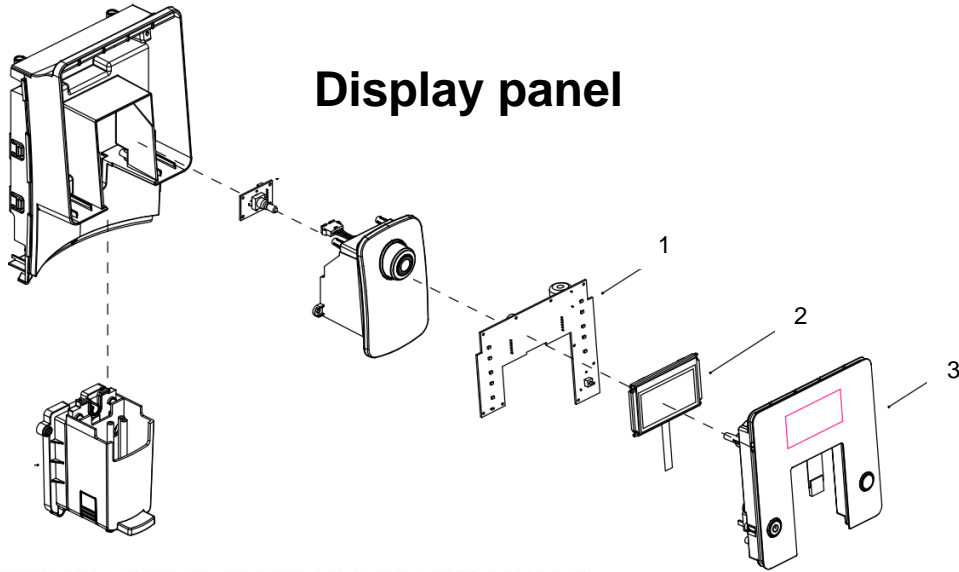


15

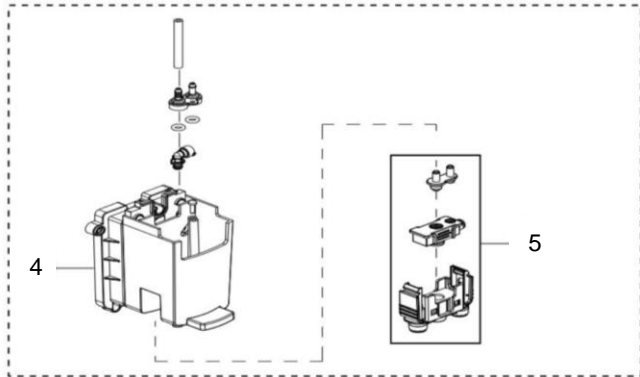


POS	Part Nr	Part Name	POS	Part Nr	Part Name	POS	Part Nr	Part Name
1.	8.81.01.01.002GS	Grinder group-GS	7	7.30.00089	Flowmeter	15	8.81.01.01.006	Drainage valve
2.	8.81.01.01.016-01	Brew unit	9	8.81.01.01.016-01	Thermoblock assembly	16	7.30.00092	Drainage seal ring
3.	8.81.01.01.005	Water Inlet assembly	10	7.80.00006GS	PCB – QB	17	7.30.00091A	Transformer
4.	7.30.00095	Water level detector	11	8.81.01.01.001GS	6 way valve group	18	8.81.01.01.003	Dispenser valve 3W
5.	7.30.00088	Microswitch	12	8.81.01.049	Condenser	19	8.81.01.01.004	Dispenser valve 2W
6.	8.81.03.03.031	Air valve group	13	8.81.01.01.014GS	Geared motor group -GS	20	8.81.01.01.011GS	Pump group
						21	7.90.00390	Bean blocker

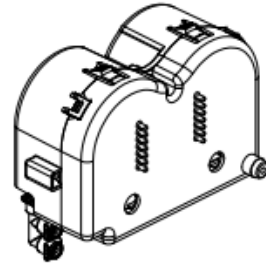
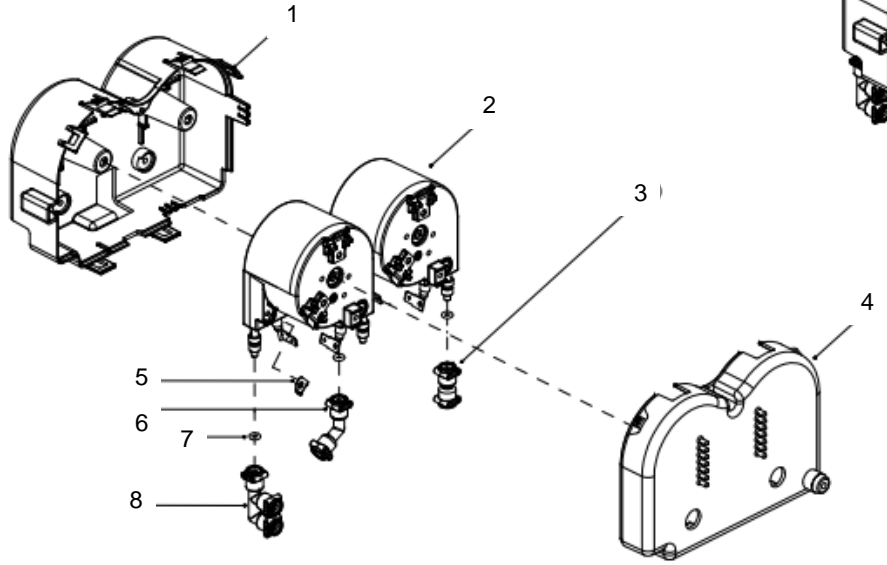
Display panel



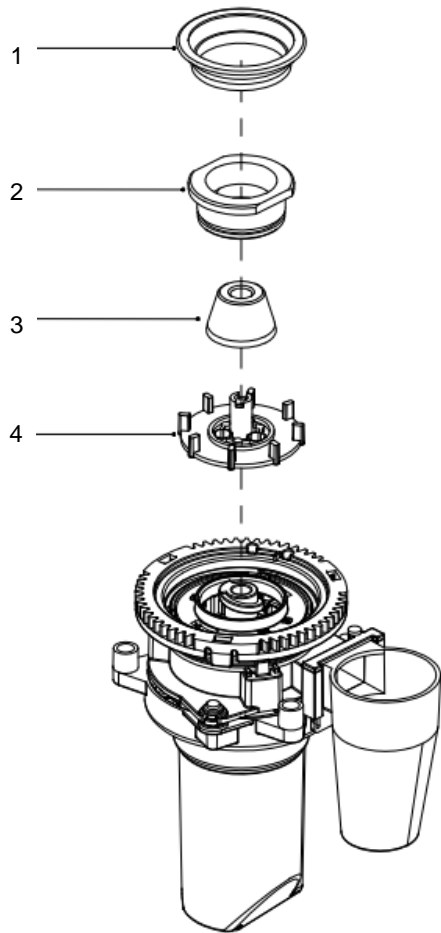
POS	Part Nr	Part Name
1.	7.80.00002GS	QuarzaB HMI-GS
2.	7.80.00086A	LCD-KLM1601
4.	8.81.01.01.009	Coffee outlet group
5.	8.81.03.02.012	Foam unit



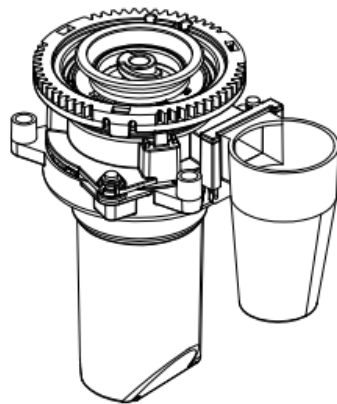
Thermoblock assembly



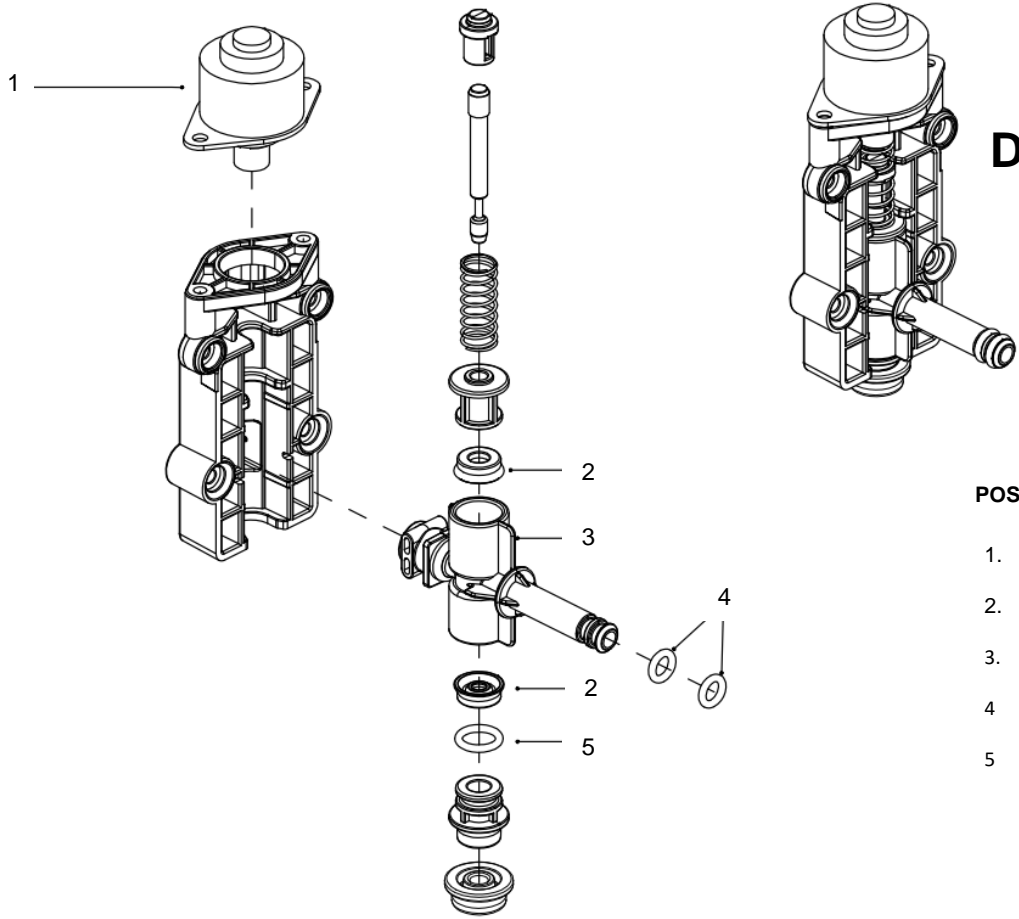
POS	Part Nr	Part Name
1.	7.90.00610	Thermoblock box
2.	7.90.00132A	Thermoblock
3.	7.90.00127	2 way connector
4.	7.90.00611	Thermoblock box cover
5.	7.90.00131	NTC support
6.	7.90.00129	L connector
7.	7.30.00029	SealingA
8.	7.90.00128	Connection F



Grinder unit



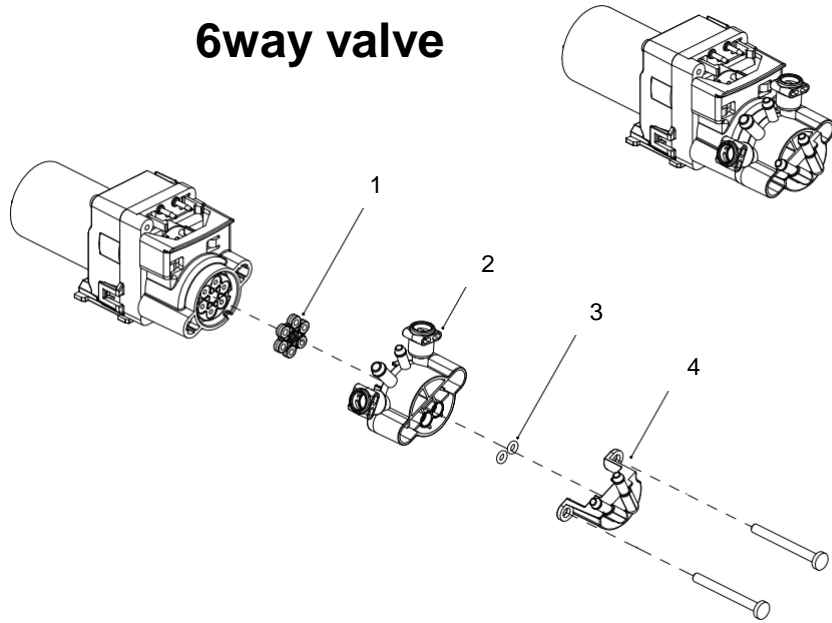
POS	Part Nr	Part Name
1.	7.30.00096A	Beans sealing
2.	7.30.00022	Grinder - Upper burr
3.	7.30.00023	Grinder - Conical burr
4.	7.90.00019	Lower grinder support



Drainage Valve

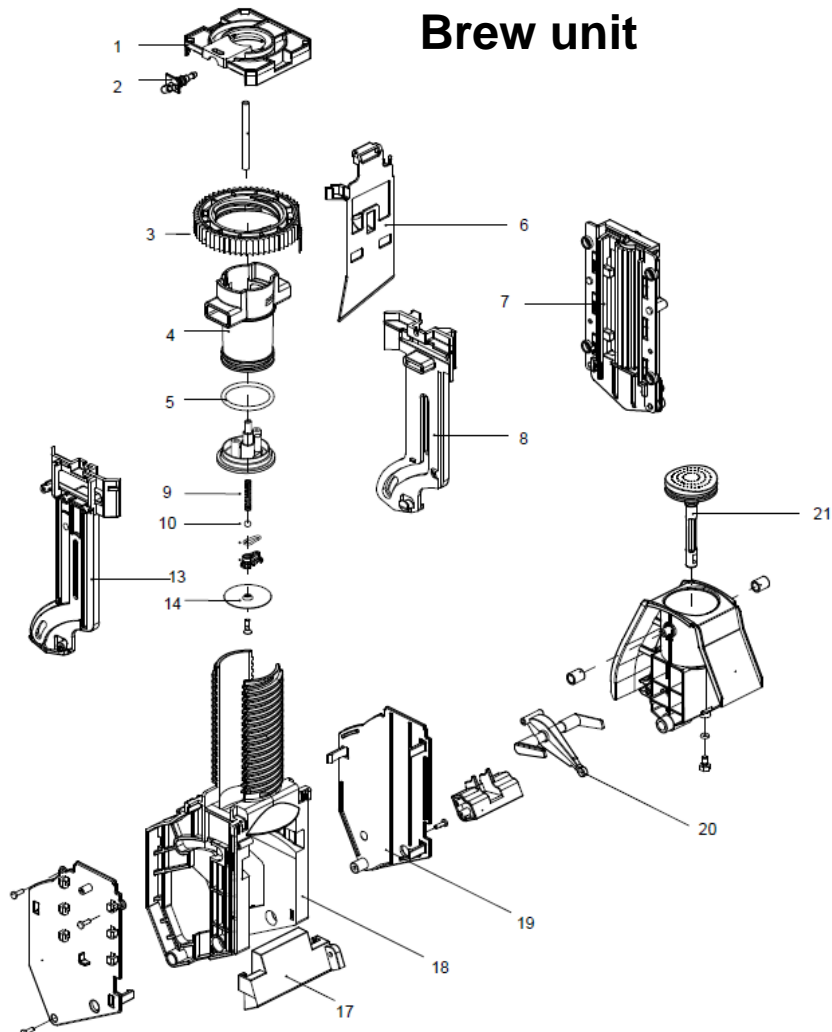
POS	Part Nr	Part Name
1.	7.30.00040	Stepper motor
2.	7.30.00037	Drainage valve sealing C
3.	7.90.00034	Drainage valve body
4.	7.30.00035	Sealing C
5.	7.30.00036	Sealing E

6way valve



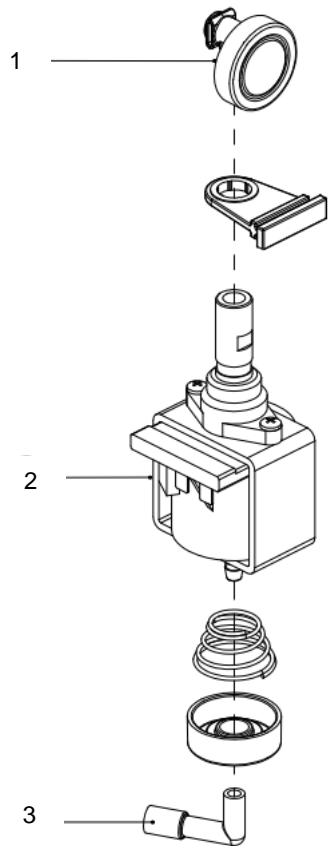
POS	Part Nr	Part Name
1.	7.30.00007	Ceramic plate sheet gasket
2.	7.90.00009	Water distributor
3.	7.30.00008	Sealing of 6way valve
4.	7.90.00010	Water distributor lid

Brew unit



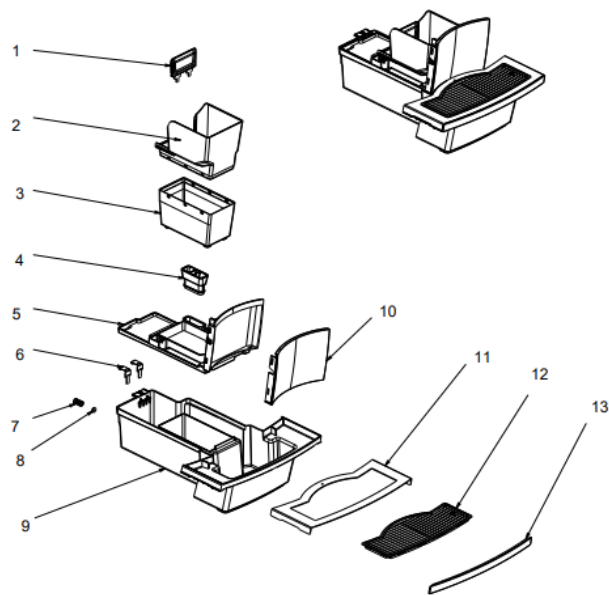
Pos	Part number	Part name
1	7.90.00088	Brew unit top cover
2	7.90.00185	Coffee connector
3	7.90.00091A	Brew unit big gear
4	7.90.00414	Brew chamber
5	7.30.00065	Brew unit sealing
6	7.90.00092	Wiper
7	8.81.01.01.015	Gear group
8	7.90.00086	Right pull plate
9	7.20.00136	Spring
10	7.30.00148	Glass ball
13	7.90.00085	Left pull plate
14	7.30.00068	Brew unit filter
18	7.90.00084	Brew unit body
20	7.90.00087	Return shaft
21	8.81.01.01.024	Coffee filter

Pump

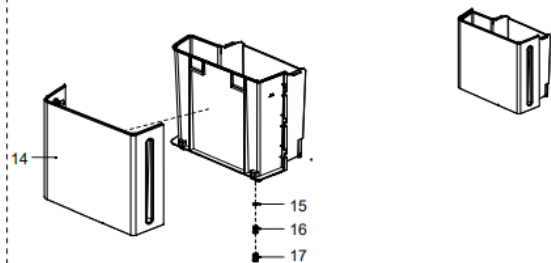


POS	Part Nr	Part Name
1.	8.81.01.01.010	Pressure maintain valve group
2.	7.30.00098	Pump
3.	7.30.00084	Pump transfer tube

Drip tray assembly



6L water tank assembly



Pos	Part number	Part name
1	7.30.00426	Coffee waste blocker
2	7.90.00396	Coffee waste box cover-K
3	7.90.00397	Coffee waste box basement
4	7.30.00427	Steam outlet-K
5	7.90.00394	Drip tray cover
6	7.91.00007	Water level detector
7	7.30.00078	Spring-drip tray
8	7.30.00077	Sealing-drip tray
9	7.90.00393	Drip tray
10	7.90.00395	Drip tray decoration cover
11	7.91.00006	Stainless decoration cover
12	7.90.00398	Cup support-K
13	7.90.00399	Decoration strip-drip tray
14	7.90.00419	6L water tank decorated cover
15	7.30.00077	One way valve sealing
16	7.90.00137	One way valve
17	7.30.00078	One way valve spring