
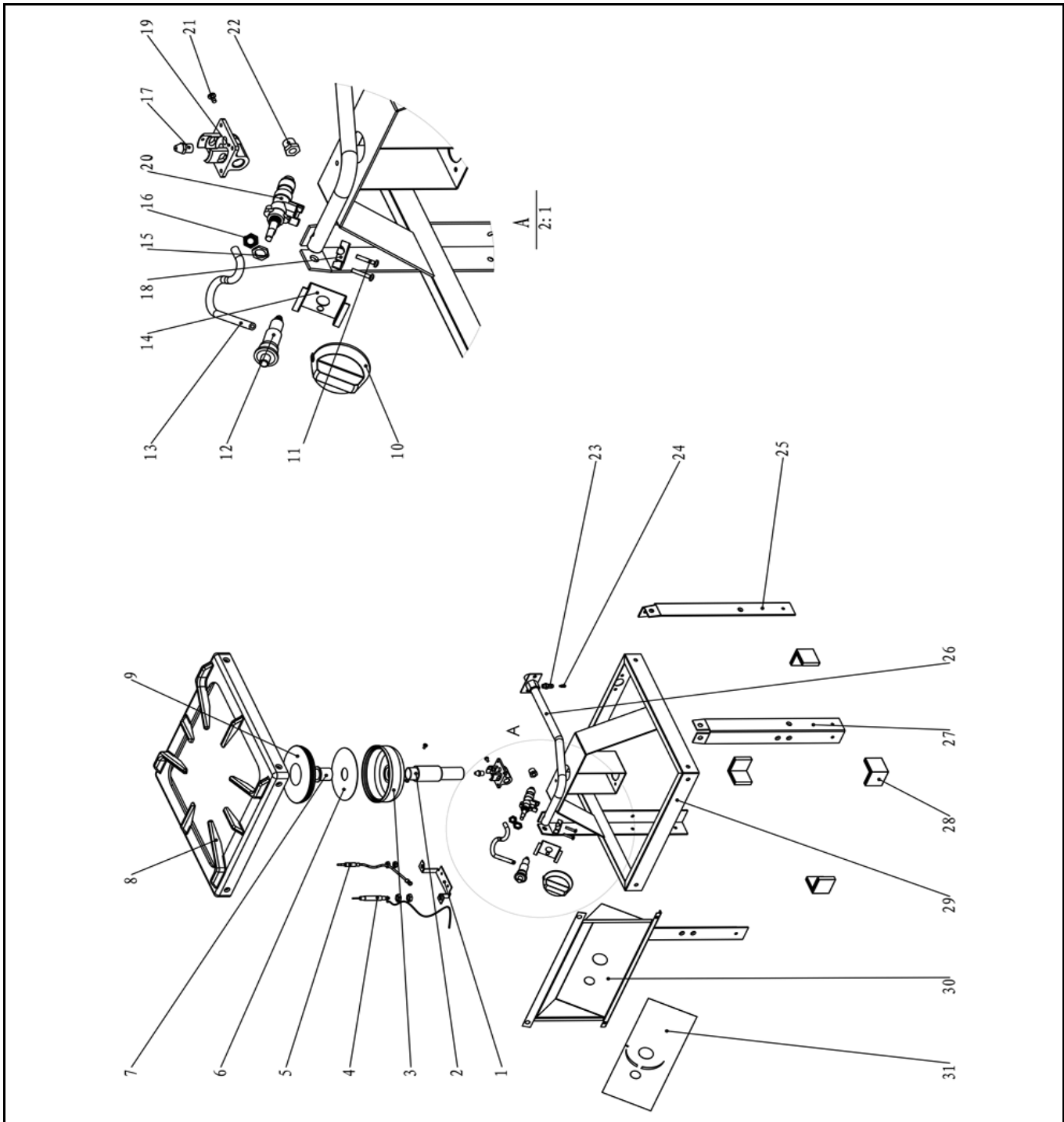



Drawing

 <b>HENDI</b> FOOD SERVICE EQUIPMENT <b>Hendi B.V.</b> Steenoven 21 3911 TX Rhenen The Netherlands	Batch #	Appliance part#
	0000000	147801
	Description	
	Hokker Kitchen Line	

Date	05-07-2018	Revision #	Revision version
Revision	First bill of materials (BOM)		



### Bill of materials (BOM)

 <p><b>Hendi B.V.</b>                  Steenoven 21                  3911 TX Rhenen                  The Netherlands</p>	Batch #	Appliance part#
	0000000	147801
	Description	
Hokker Kitchen Line		

<b>Date</b>	05-07-2018	<b>Revision #</b>	Revision version
<b>Revision</b>	First bill of materials (BOM)		

Item	Description	Part#	Quantity	Remark	Picture
1	Bracket	n/a	1		
2	Gas pipe	923726	1		
3	Gas burner	923719	1	Incl item 6 and 7	
4	Electrode with wiring	923788	1		
5	Thermocouple	152195	1		
6	Plate	nss	1	Available as 923719	
7	Connector pipe	nss	1	Available as 923719	
8	Pan support	n/a	1		
9	Burner lid	923702	1		
10	Knob	923771	1		
11	Screw	n/a	2		
12	Piezo iginter	153178	1	Incl item 15	
13	Gas pipe	923795	1		
14	Bracket	n/a	1		
15	Nut piezo igniter	nss	1	Available as 153178	
16	Nut gas pipe	n/a	1		
17	Jet 2,0 (natural gas)	923801	1		
17a	Jet 1,15 (propane gas)	923757	1		
18	Bracket	n/a	1		
19	Holder Jet	923740	1		
20	Gas valve	923764	1		
21	Screw	n/a	1		
22	Nut gaspipe	n/a	1		
23	Adapter	nss	1	Available as 923733	
24	Plug	nss	1	Available as 923733	
25	Leg	n/a	2		
26	Intake pipe	923733	1		
27	Leg	n/a	2		
28	Feet	n/a	4		
29	Frame	n/a	1		
30	Display panel	n/a	1		
31	Display sticker	n/a	1		
*	Gas hose assembly	147139	1	Not shown on exploded view	

n/a -> not available

nss -> not sold separately