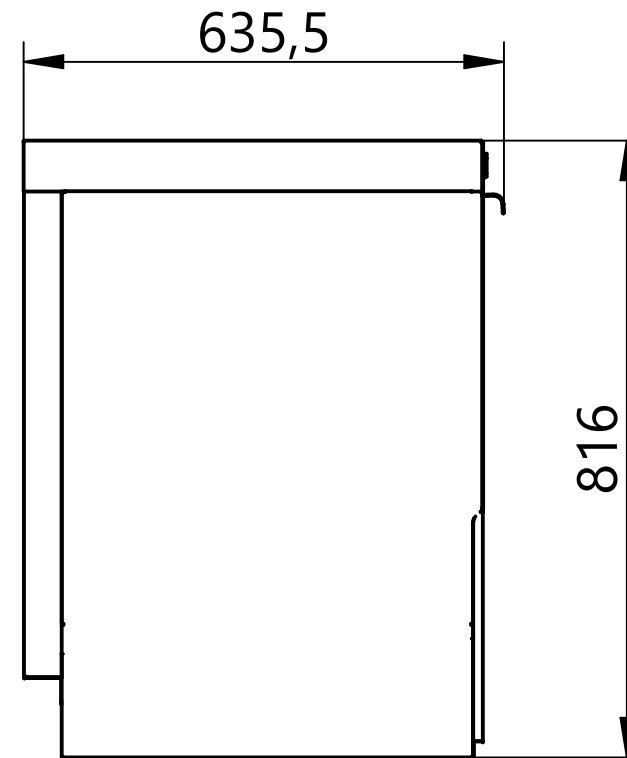
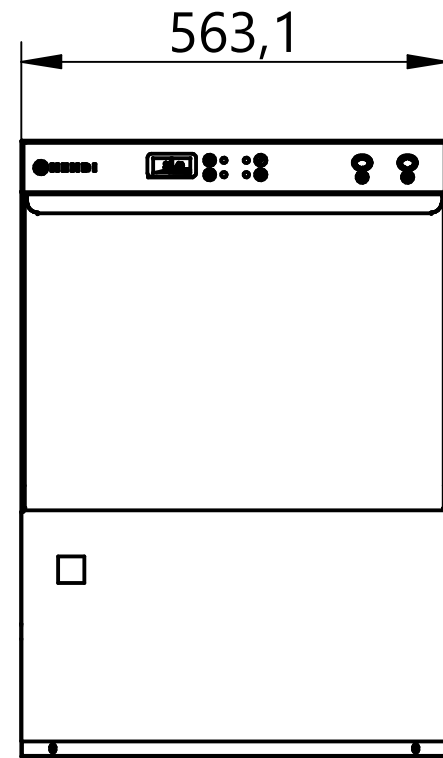
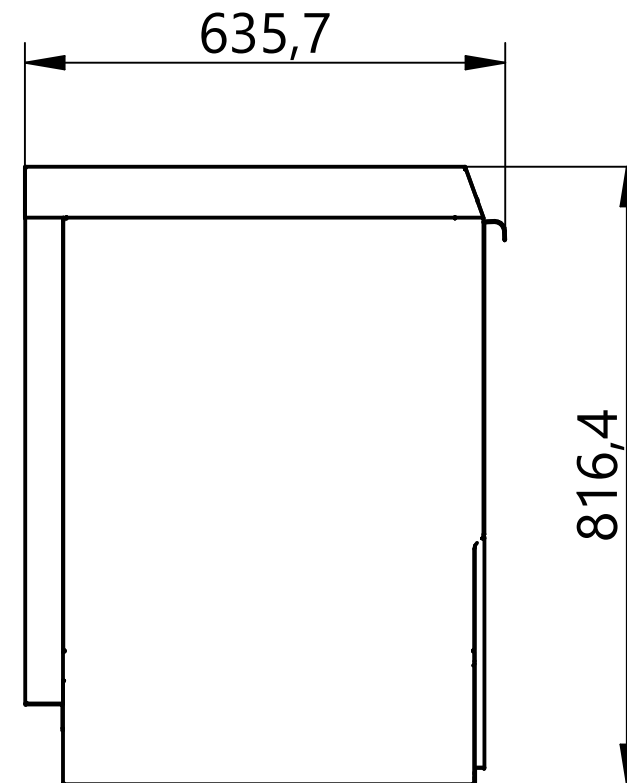
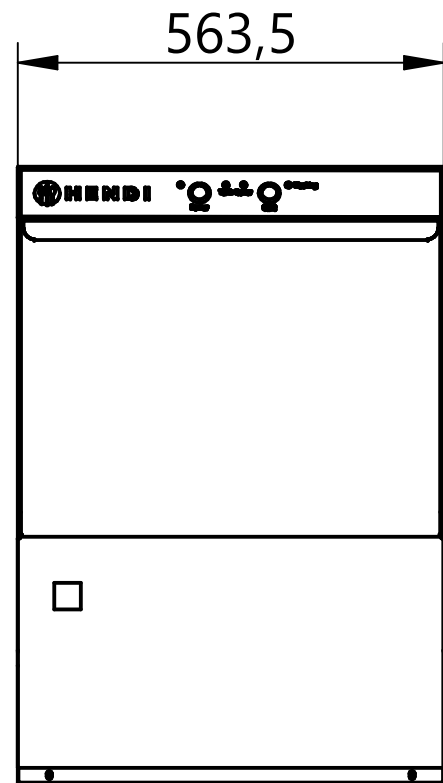
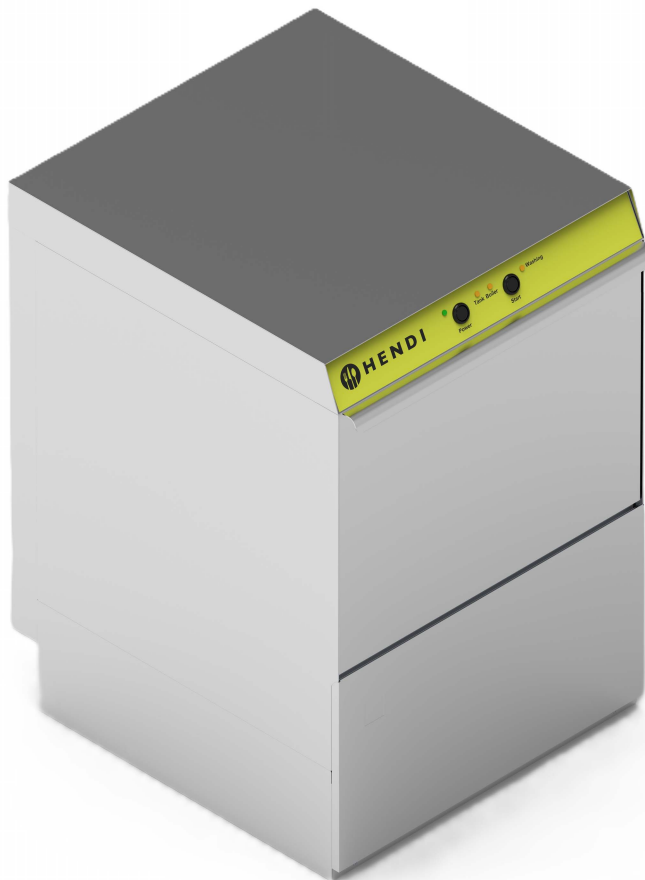


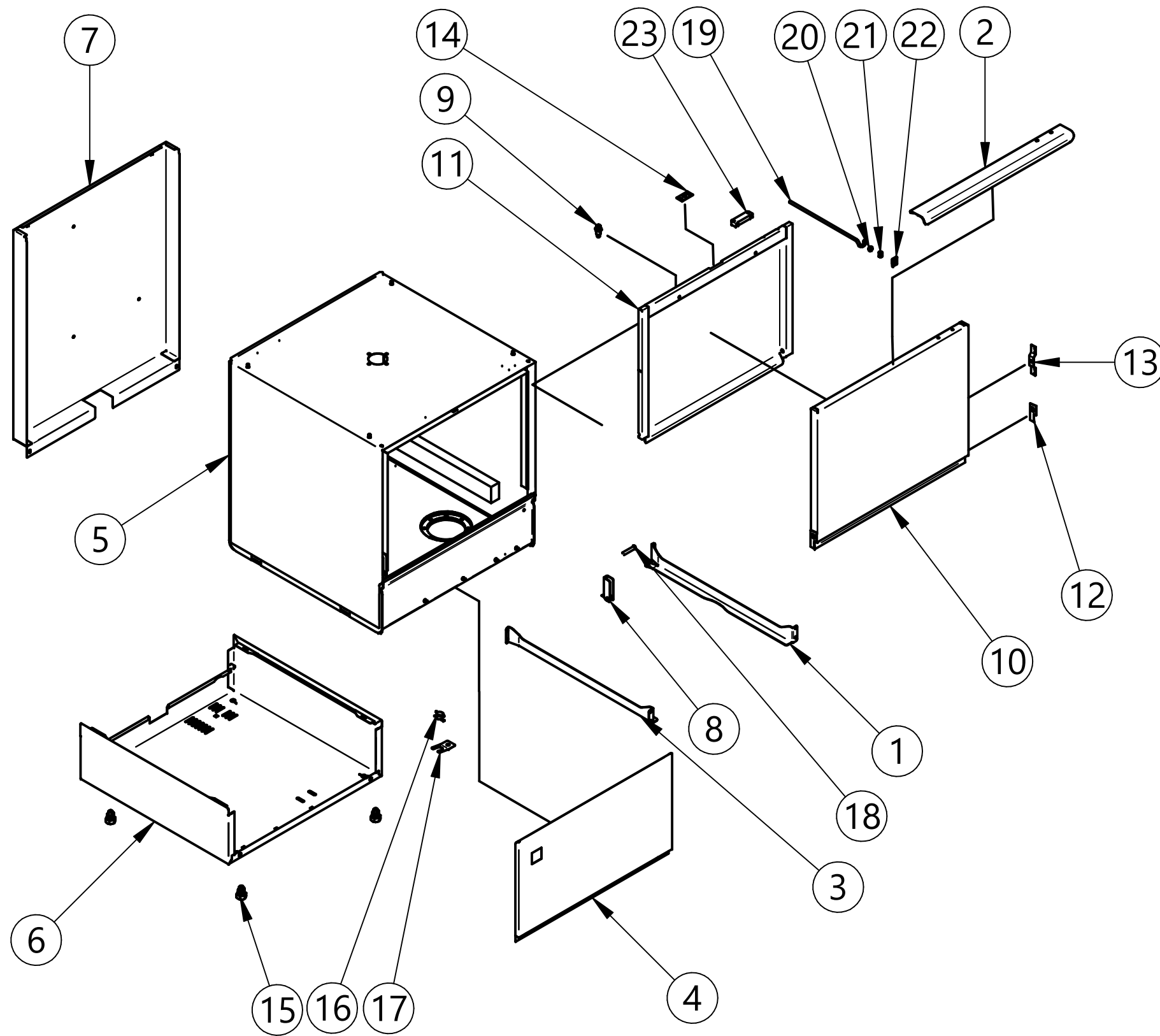
EXV024- Exploded View – HENDI



Chapter	Description	Page
1	CABINET AND PANELS	2
2	WASHING SYSTEM	3
3	RINSE SYSTEM	4
4	RINSE SYSTEM_2	5
5	RINSE SYSTEM_3	6
6	SPRAY ARMS	7
7	ELECTRONICS_1	8
8	ELECTRONICS_2	9
9	ELECTRONICS_3	10
10	DISPENSER	11
11	DISPENSER_2	12
12	DRAIN PUMP	13

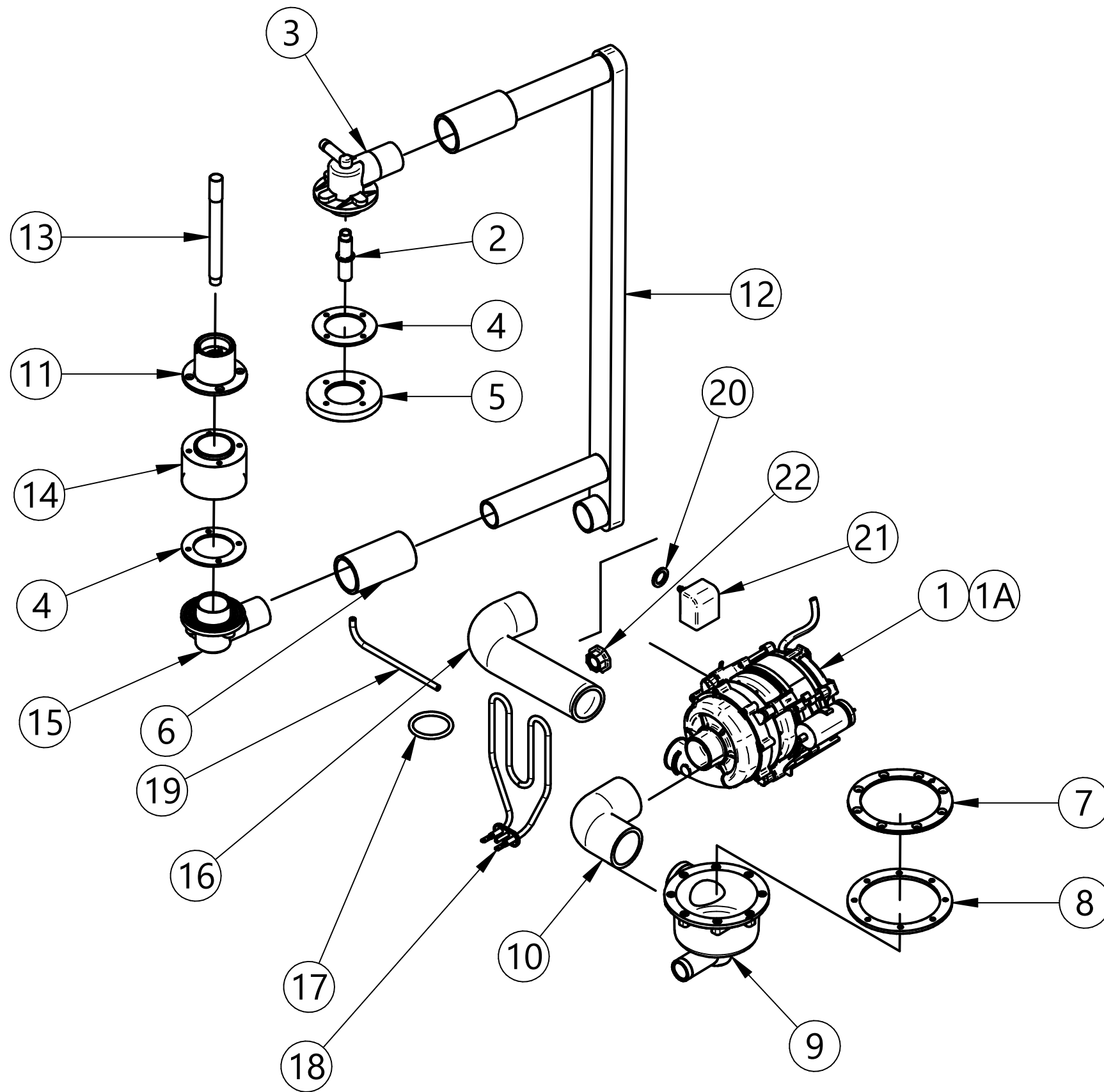


CABINET AND PANELS



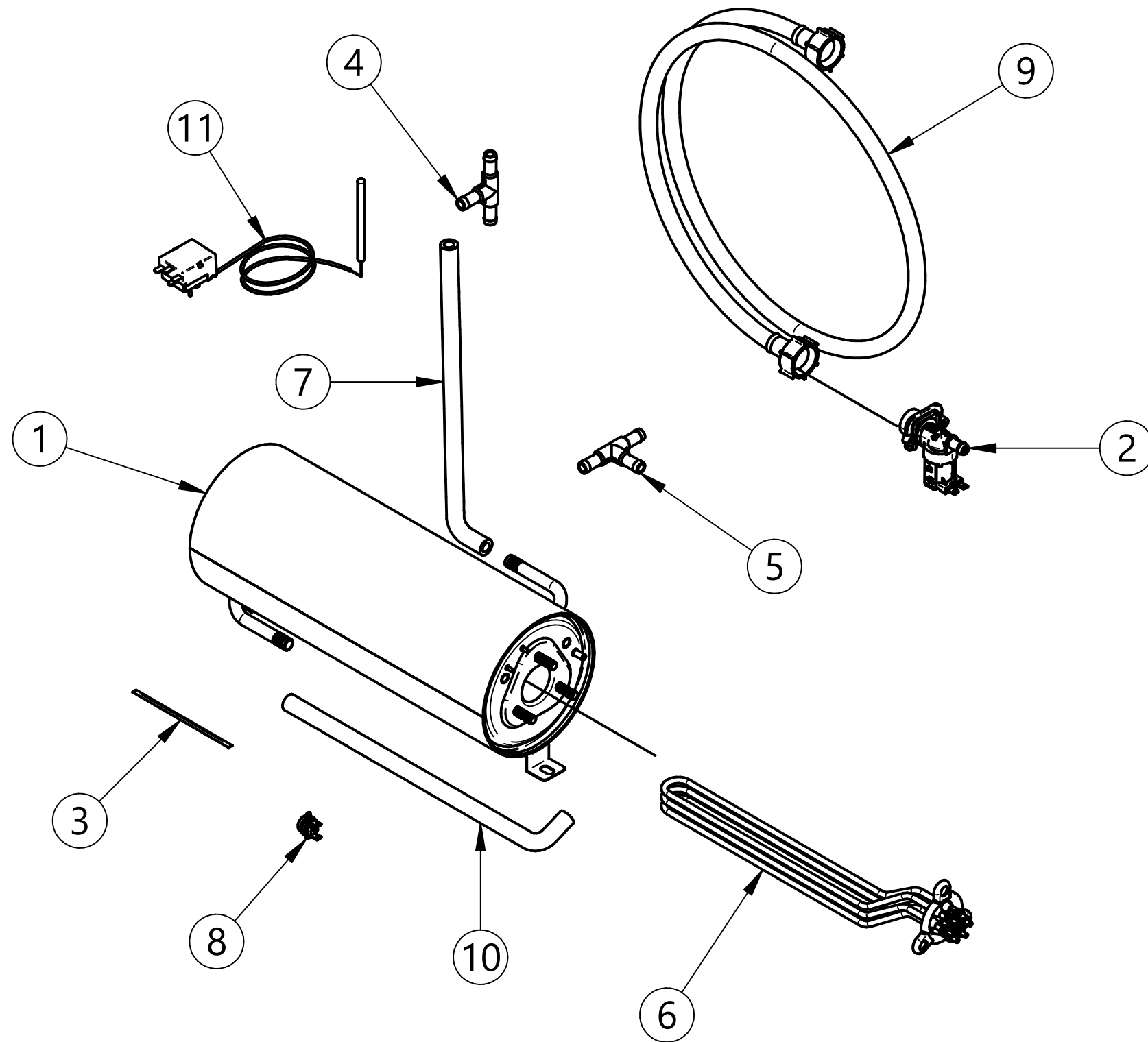
Item Number	Code	Description	Quantity
1	909955_A	LEFT BASKET GUIDE	1
2	954146_A	STAINLESS STEEL DOOR HANDLE N700-E50_8/10	1
3	909954_A	BASKET GUIDE RH	1
4	904508_A	E50 SINGLE-WALL BOTTOM PANEL	1
5	902791_A	E50 TUB 8 HOLES	1
6	900254_A	BASE E50	1
7	901802_A	REAR PANEL E50 2015	1
8	901245_A	HINGE FOR DISHWASHER DOOR	2
9	906121_A	SPOOL WITH WHEEL AND NUT M12	1
10	955687_A	PORTA N700-E50 M.I. SILANOS	1
11	952204_A	N700-E50 ECO-STANDARD 2019 INNER DOOR	1
12	950214_C	DOOR AERATOR PLATE N700	2
13	952809_B	DOOR TIE ROD BRACKET	2
14	954139_B	STAPLE FIXING PLATE	1
15	905000_A	DISHWASHER FOOT PVC NEW	4
16	907244	TUB THERMOSTAT 55° PAD	1
17	900187_A	SUPP. FOR 1 THERMOSTAT PAD 2015	1
18	904795_A	PIN FOR DOOR	2
19	902740_A	TIE ROD FOR DOOR M6X265	2
20	902040_A	ATB 6 NUT - DIN 985	2
21	905424_A	TIE ROD LOCKER FOR DOOR M6	2
22	904952_A	PLATE FOR DOOR TIE ROD	2
23	903651_A	MAGNET + FRONTAL COVER	1

WASHING SYSTEM



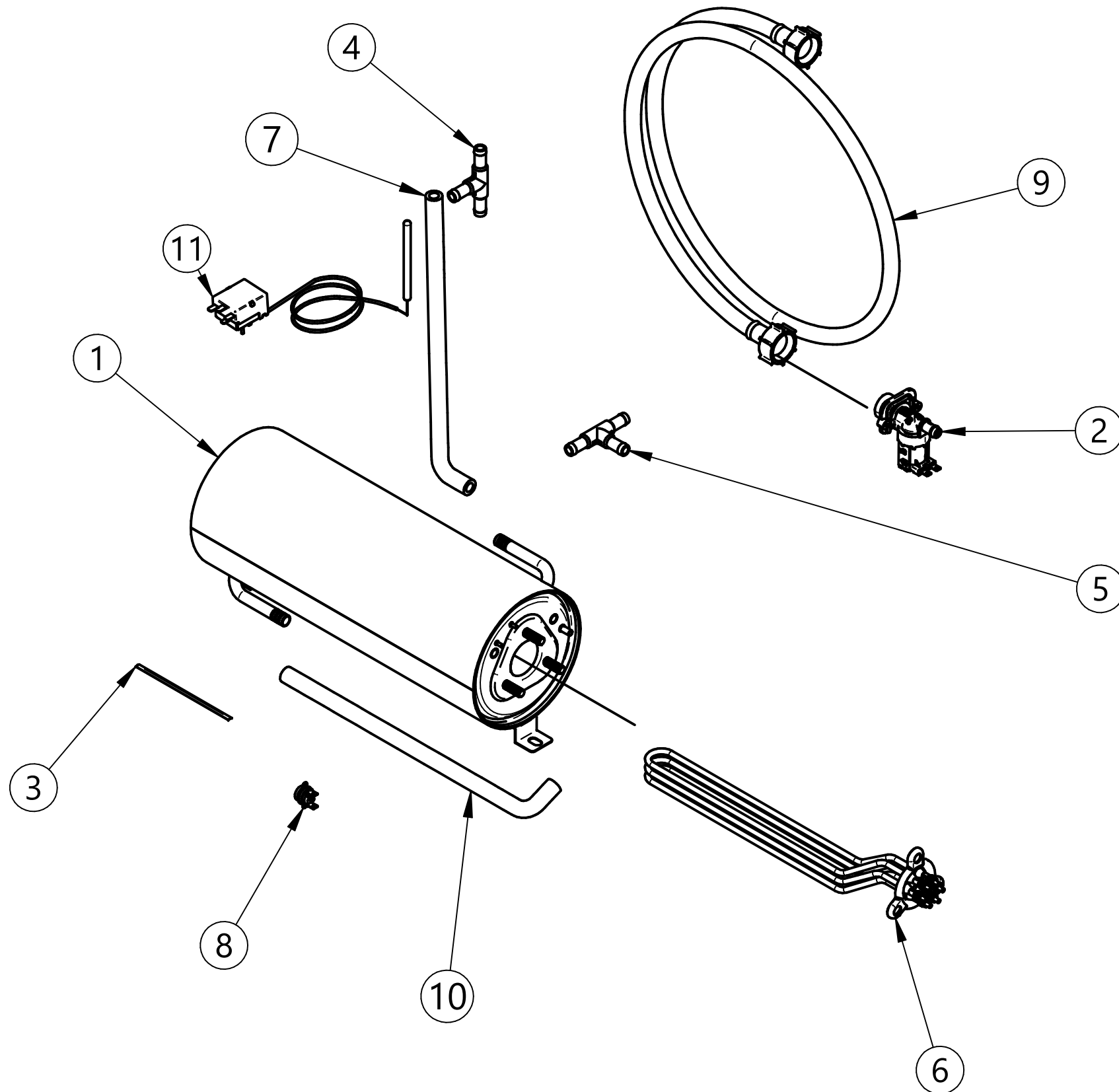
Item Number	Code	Description	Quantity
1	902266_A	0.27KW 230/1/50 S SERIES GIS PUMP	1
1A	903489	0.40KW 230/1/50 N700-N750-E45-E50 PUMP	1
2	904799_A	WORK PIVOT SUP. N600/N700/N45/N50	1
3	905456_A	RIGHT WASHING HUB DISHWASHER	1
4	908141_C	GASKET FITTING WASHING	2
5	908154_A	PLATE WASHER TOP HUB FLANGE	1
6	903756_A	TRONCHETTO OUT. N45/N50/N90/N700FH	2
7	905238_A	OVERSIZED SUMP FLANGE SUCT./UNLO.	1
8	905378_A	SUMP GASKET TYPE NEW 2013	1
9	905236_A	POZZ. ASPIRAZ. OVERSIZED SUCT. ϕ 45	1
10	903758_A	SLEEVE SUCT. N700	1
11	905388_A	WASHING BOTTOM FITTING	1
12	908701_A	WASHING COLUMN N700/E50	1
13	908705_A	WORK PIVOT INF. N600/N700/E45/E50	1
14	908702_A	SPACER RECC. WASH. N700/N750	1
15	905449_A	LEFT WASHING HUB DISHWASHER	1
16	909371_A	DELIVERY SLEEVE N750/E50/E45	1
17	907981_A	OR RES. 2.6/4.5/6/8 KW	1
18	905745_A	TUB RESIST. 2.5KW 230V	1
19	907279_A	SILICONE PIPE 4X7	1
20	903260_A	SEALER 3/8 AIR TRAP	1
21	905262_A	AIR TRAP 90MM CLEAR GRAY	1
22	902111_A	RING NUT 3/8" PPL	1

RINSE SYSTEM



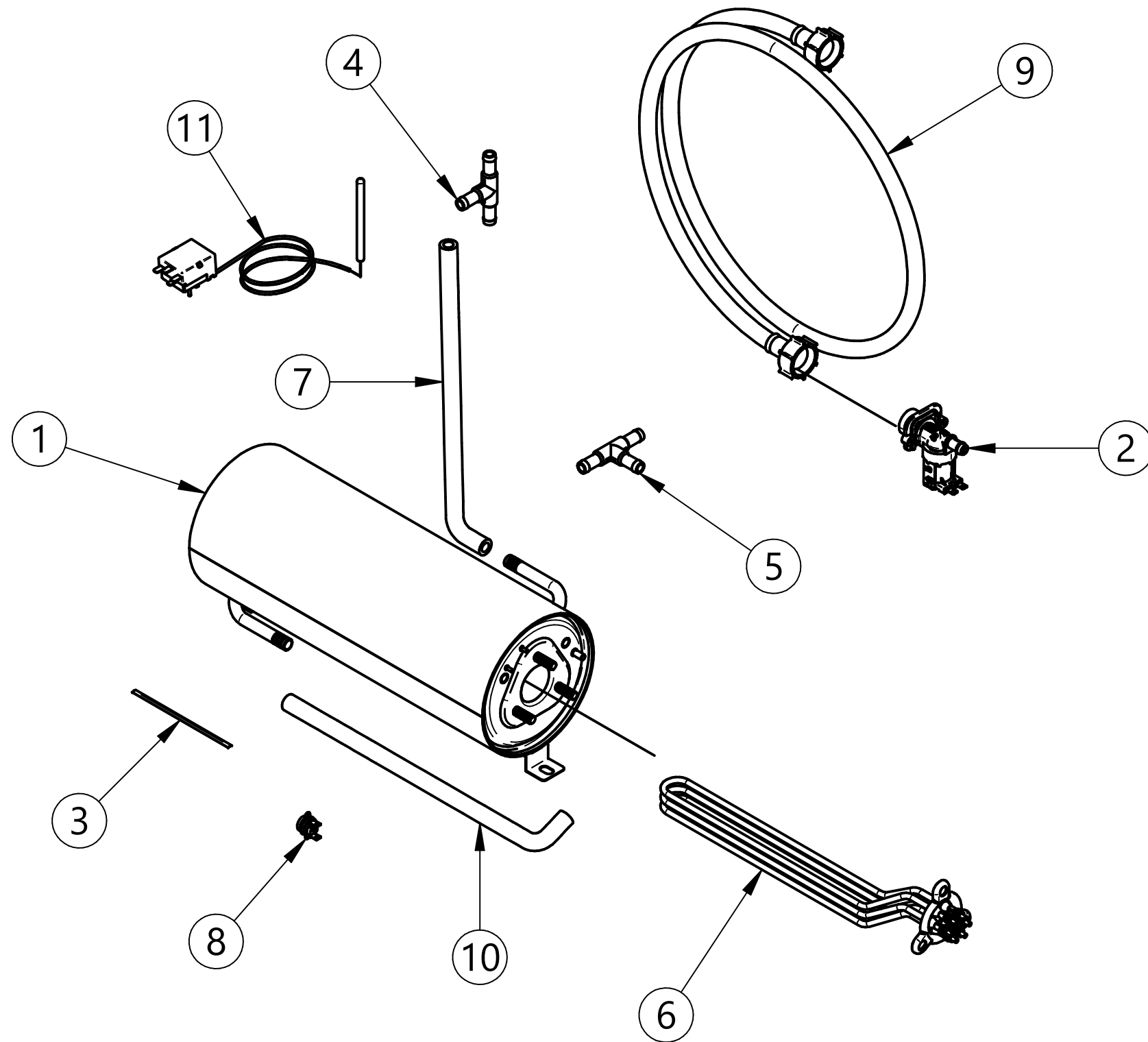
Item Number	Code	Description	Quantity
1	900386_A	BOILER N45-N50-N1000-N1300-NE 7LT. Ø150	1
2	902390_A	ELETTROV. 1 WAY Ø10	1
3	904075_A	BRASS SLAT	1
4	905382_A	3-WAY FITTING	1
5	905434_A	3-WAY METERING UNIT ON PUMP	1
6	905560_A	RESIST. BOILER 6KW 230V +OR	1
7	907295_A	RINSING PIPE 12x19.5	1
8	907297_A	THERMOSTAT SICUR. 110° PAD	1
9	907348_A	LOADING HOSE 90° 1500MM S 800 HW	1
10	907360_A	RINSING PIPE 10x17	1
11	TR0440_A	THERMOSTAT FOR BOILER 0_90 DISHWASHER	1

RINSE SYSTEM 2



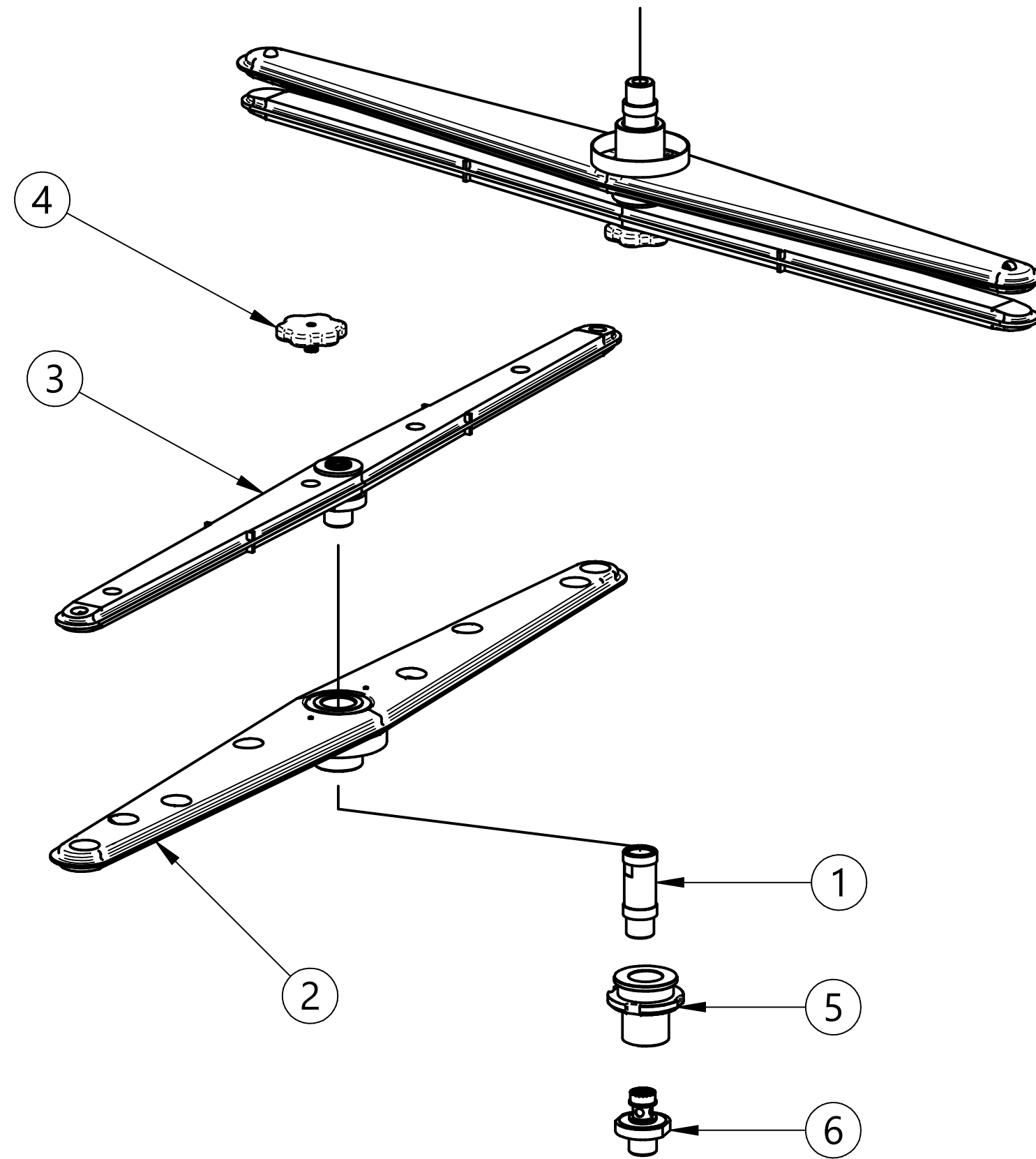
Item number	Code	Description	Quantity
1	900386_A	BOILER 600-700-N45-N50-N90-E45-E50 5LT. +RES.4.5KW	1
2	902390_A	ELETTROV. 1 WAY Ø10	1
3	904075_A	BRASS SLAT	1
4	905382_A	3-WAY FITTING	1
5	905434_A	3-WAY METERING UNIT ON PUMP	1
6	905560_A	BOILER RE./TUB D.R. 4.5KW 230V +OR	1
7	907295_A	RINSING PIPE 12x19.5	1
8	907297_A	THERMOSTAT SICUR. 110° PAD	1
9	907348_A	LOADING HOSE 90° 1500MM S 800 HW	1
10	907360_A	RINSING PIPE 10x17	1
11	TR0440_A	BOILER THERMOSTAT 0_90 DISHWASHER	1

RINSE SYSTEM 3



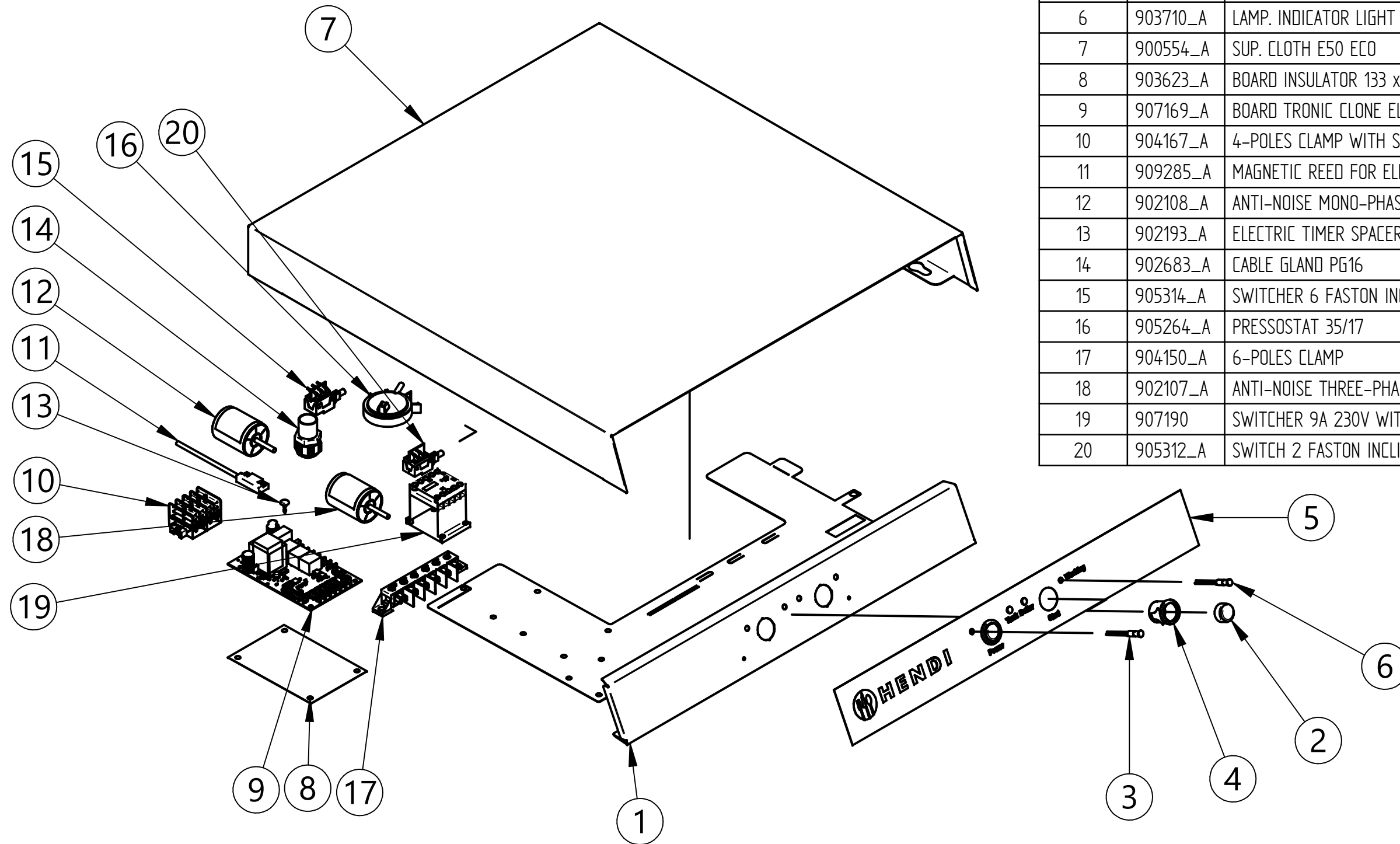
Item Number	Code	Description	Quantity
1	900361_A	BOILER N45 METRO FRANCE	1
2	902390_A	ELETTROV. 1 WAY Ø10	1
3	904075_A	BRASS SLAT	1
4	905382_A	3-WAY FITTING	1
5	905434_A	3-WAY METERING UNIT ON PUMP	1
6	905521_A	RESIST.Boiler 3 Kw	1
7	907295_A	RINSING PIPE 12x19.5	1
8	907297_A	THERMOSTAT SICUR. 110° PAD	1
9	907348_A	LOADING HOSE 90° 1500MM S 800 HW	1
10	907360_A	RINSING PIPE 10x17	1
11	TR0440_A	THERMOSTAT FOR BOILER 0_90 DISHWASHER	1

SPRAY ARMS



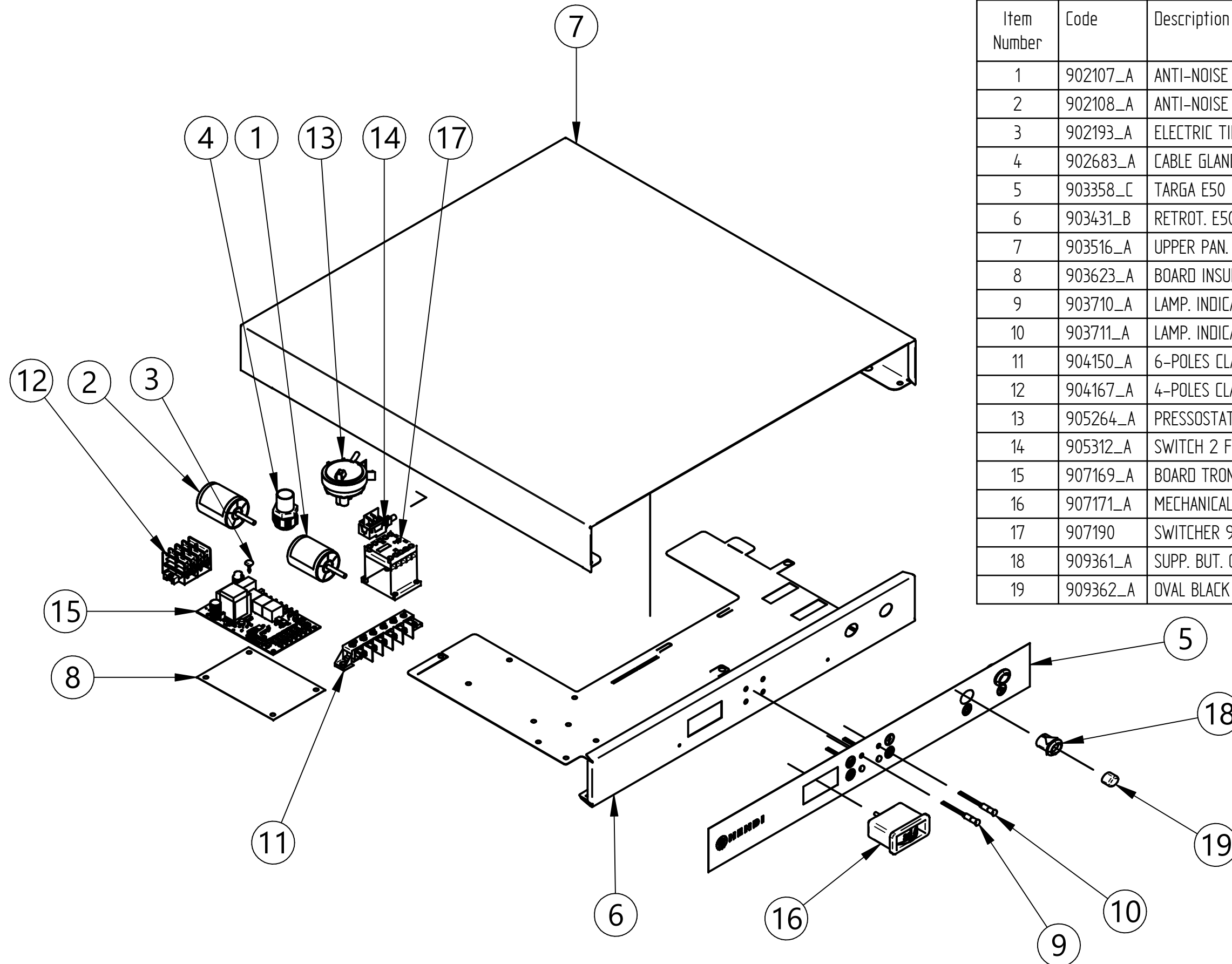
Item Number	Code	Description	Quantity
1	904765_A	SPRAY ARM PIN WASH. SUP. INF. 32MM	2
2	903107_A	WASH.4 SPRAY ARM WITH HUB	2
3	907958.204_A	SPRAY ARM UNIT RINSE 4 PPL	2
4	902880_A	LOCKING RING FOR SPRAY ARMS	2
5	904277_A	HUB WITH RING FOR WASHING ARMS	2
6	908771_A	PIN FOR PPL AND INOX FLAT RINSING ARMS	2

ELECTRONICS_1



Item Number	Code	Description	Quantity
1	903426_A	BACK PLATE ASSEMBLY E50 HENDI	1
2	905290_A	ROUND BUTTON ϕ 25 GLOSSY BLACK	2
3	903711_A	LAMP. INDICATOR LIGHT ϕ 6 GREEN	1
4	905345_A	SUPP. BUT. ROUND ϕ 25 BLACK	2
5	903357_B	TARGA E50 ECO HENDI SCREEN PRINTING BUTTONS	1
6	903710_A	LAMP. INDICATOR LIGHT ϕ 6 ORANGE	3
7	900554_A	SUP. CLOTH E50 ECO	1
8	903623_A	BOARD INSULATOR 133 x 90	1
9	907169_A	BOARD TRONIC CLONE ELCA	1
10	904167_A	4-POLES CLAMP WITH SHOULDER	1
11	909285_A	MAGNETIC REED FOR ELECT. DISHWASHERS	1
12	902108_A	ANTI-NOISE MONO-PHASE FILTER	1
13	902193_A	ELECTRIC TIMER SPACER	4
14	902683_A	CABLE GLAND PG16	1
15	905314_A	SWITCHER 6 FASTON INCLIN.	1
16	905264_A	PRESSOSTAT 35/17	1
17	904150_A	6-POLES CLAMP	1
18	902107_A	ANTI-NOISE THREE-PHASES FILTER	1
19	907190	SWITCHER 9A 230V WITH LOVATO ACTUATOR	1
20	905312_A	SWITCH 2 FASTON INCLINATO	1

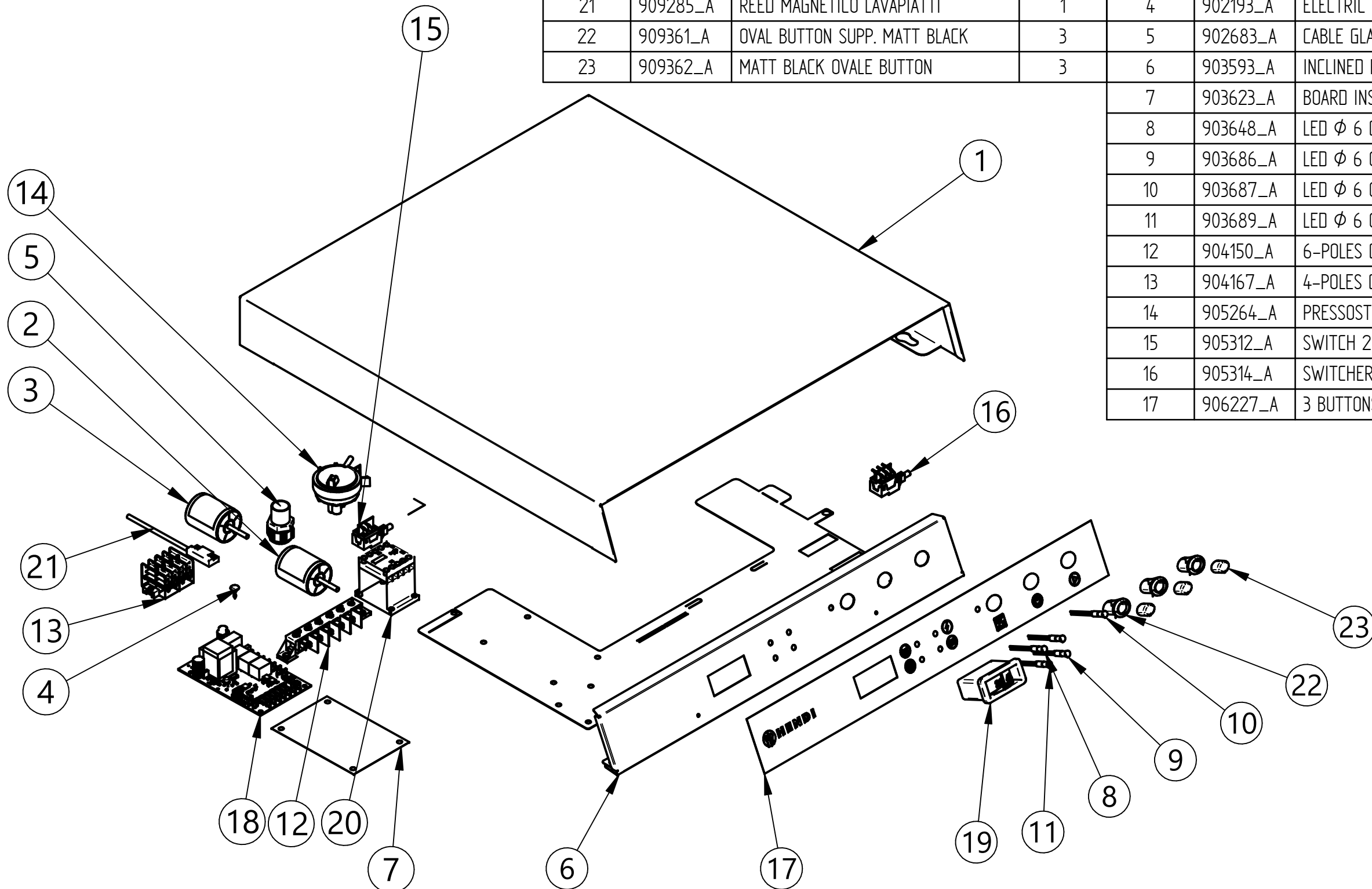
ELECTRONICS_2



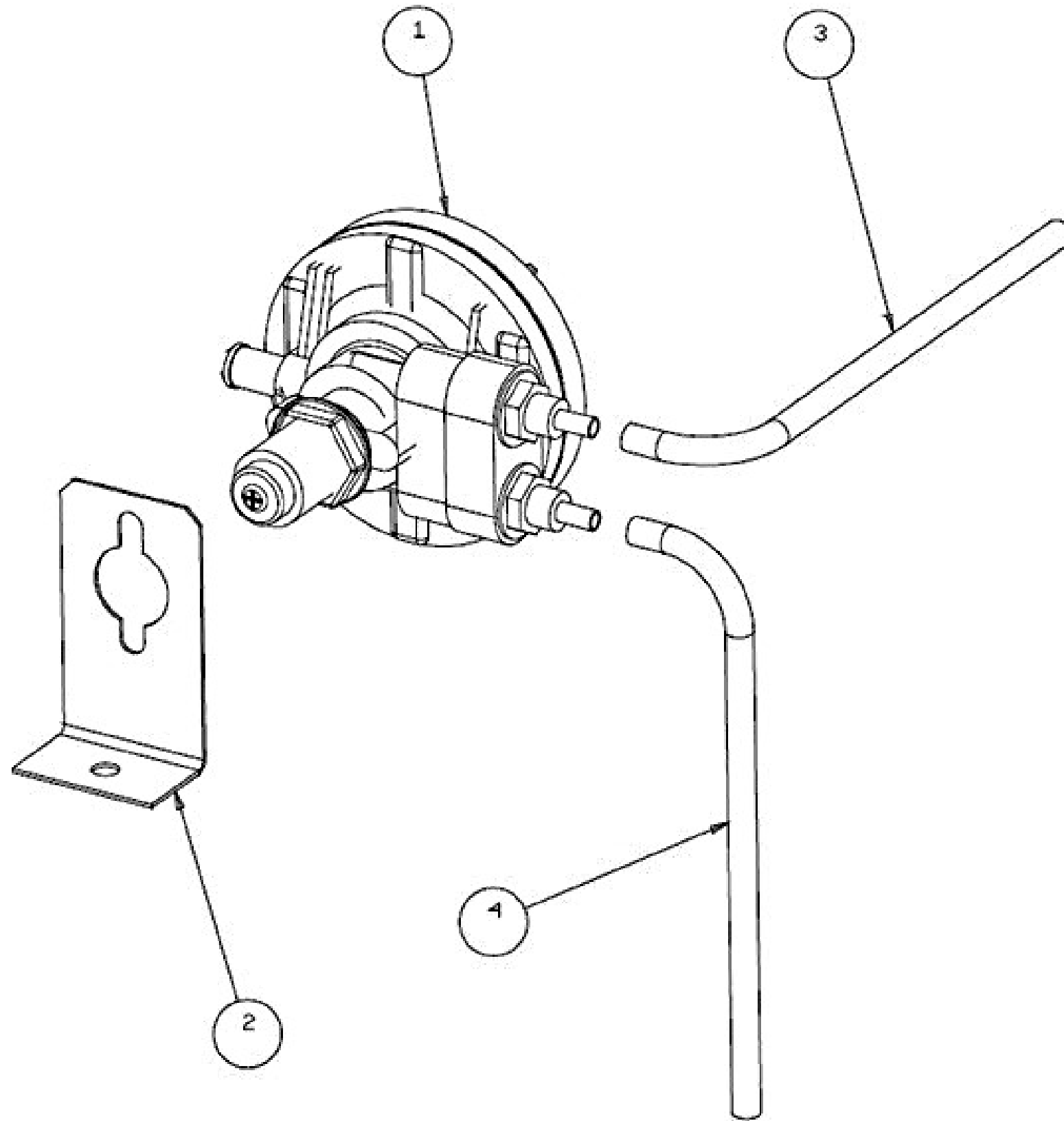
Item Number	Code	Description	Quantity
1	902107_A	ANTI-NOISE MONO-PHASE FILTER	1
2	902108_A	ANTI-NOISE THREE-PHASES FILTER	1
3	902193_A	ELECTRIC TIMER SPACER	1
4	902683_A	CABLE GLAND PG16	1
5	903358_C	TARGA E50 ECO THERMO HENDI	1
6	903431_B	RETROT. E50 THERMO HENDI COMPLETE VERTICAL	1
7	903516_A	UPPER PAN. E50 ECO VERTICAL	1
8	903623_A	BOARD INSULATOR 133 x 90	1
9	903710_A	LAMP. INDICATOR LIGHT Ø6 ORANGE	3
10	903711_A	LAMP. INDICATOR LIGHT Ø6 GREEN	1
11	904150_A	6-POLES CLAMP	1
12	904167_A	4-POLES CLAMP WITH SHOULDER	1
13	905264_A	PRESSOSTAT 35/17	1
14	905312_A	SWITCH 2 FASTON INCLINATO	1
15	907169_A	BOARD TRONIC CLONE ELCA	1
16	907171_A	MECHANICAL THERMOMETER L.2000mm	1
17	907190	SWITCHER 9A 230V WITH LOVATO ACTUATOR	1
18	909361_A	SUPP. BUT. OVAL MATT BLACK	2
19	909362_A	OVAL BLACK BUTTON	2

ELECTRONICS_3

Item number	Code	Description	Quantity	Item number	Code	Description	Quantity
18	907169_A	SCHEDA TRONIC CLONE ELCA	1	1	900554_A	UPPER PANEL E50 ECO	1
19	907171_A	MECHANICAL THERMOMETER L.2000mm	1	2	902107_A	ANTI-NOISE THREE-PHASES FILTER	1
20	907190	SWITCHER 9A 230V WITH LOVATO	1	3	902108_A	ANTI-NOISE MONO-PHASE FILTER	1
21	909285_A	REED MAGNETICO LAVAPIATTI	1	4	902193_A	ELECTRIC TIMER SPACER	4
22	909361_A	OVAL BUTTON SUPP. MATT BLACK	3	5	902683_A	CABLE GLAND PG16	1
23	909362_A	MATT BLACK OVALE BUTTON	3	6	903593_A	INCLINED PLATE HOLDER ASSEMBLY	1
				7	903623_A	BOARD INSULATOR 133 x 90	1
				8	903648_A	LED ϕ 6 GREEN+WIRES F/F	1
				9	903686_A	LED ϕ 6 ORANGE+WIRES DEP.-CICLE	2
				10	903687_A	LED ϕ 6 ORANGE+WIRES	1
				11	903689_A	LED ϕ 6 ORANGE+WIRES BOILER	1
				12	904150_A	6-POLES CLAMP	1
				13	904167_A	4-POLES CLAMP WITH SHOULDER	1
				14	905264_A	PRESSOSTAT 35/17	1
				15	905312_A	SWITCH 2 FASTON INCLINATO	1
				16	905314_A	SWITCHER 6 FASTON INCLINED	1
				17	906227_A	3 BUTTONS BLACK PLATE HENDI	1

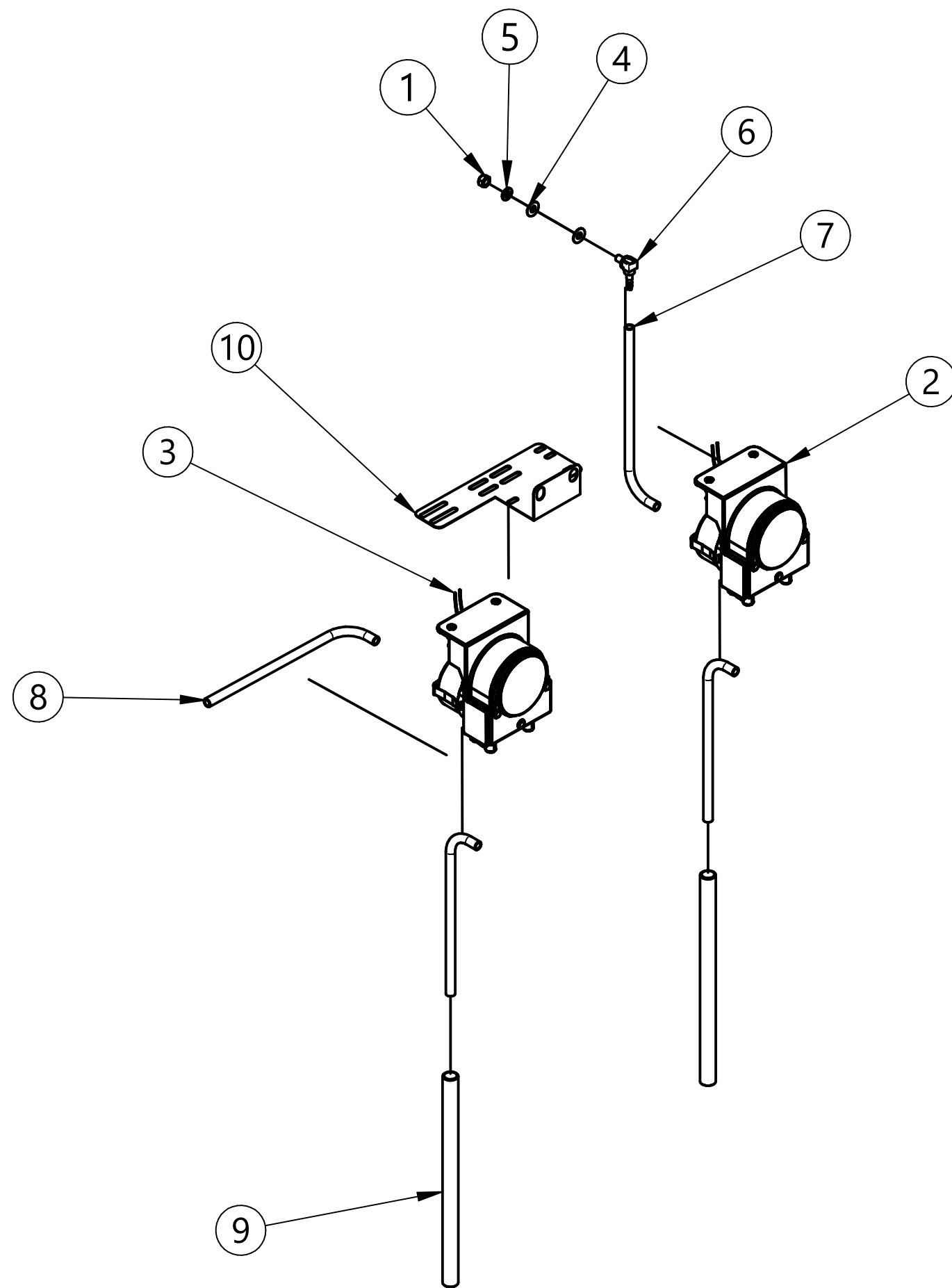


DISPENSER



Item Number	Code	Description	Quantity
1	902201_A	HYDRAULIC RINSE DOSING UNIT	1
2	906375_A	SUPPORT FOR RINSE-PRODUCT DOSING UNIT SEKO GERMAC	1
3	907279_A	SILICONE HOSE 4X7	1
4	902046_A	TRASPARENT HOSE 4X7	1

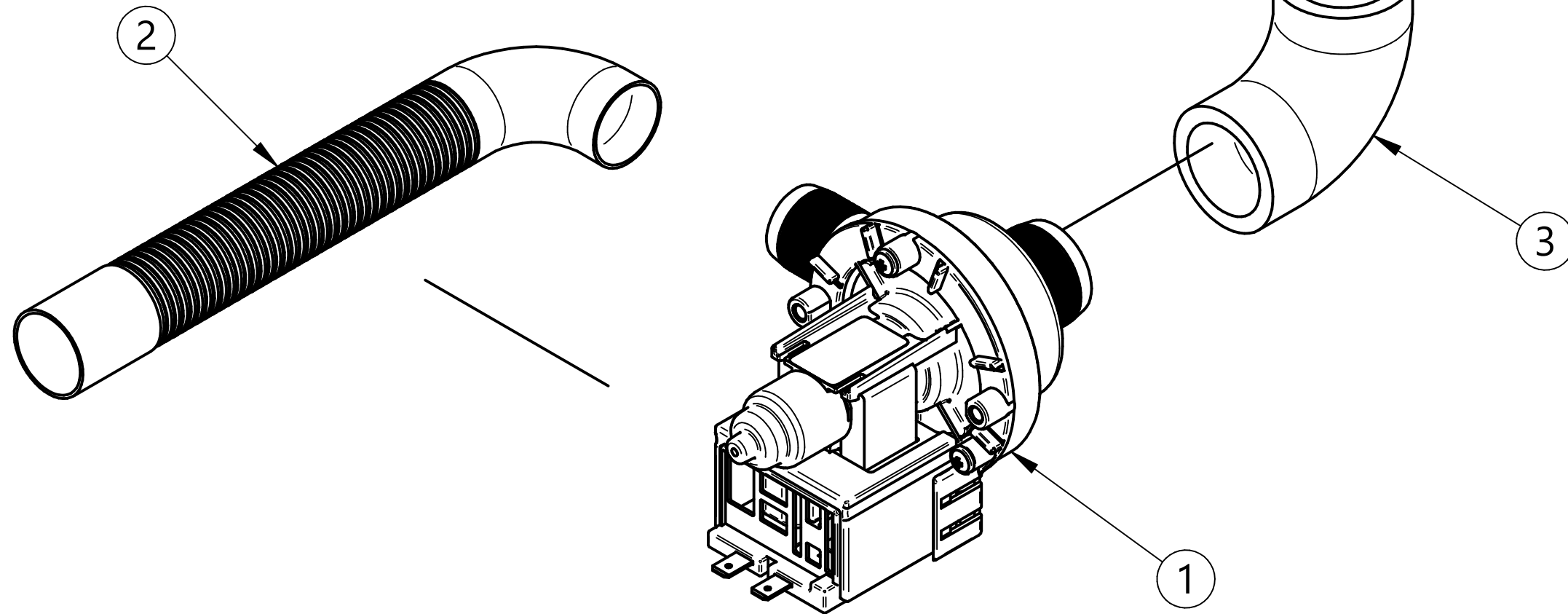
DISPENSER_2



Item number	Code	Description	Quantity
1	902030_A	SELF-LOCKING M5 NUT	1
2	902052_A	PERIST. SOAP DISPENSER SEKO	1
3	902062_A	PERIST. RINSE DISPENSER SEKO TIMED	1
4	903253_A	CONNECTION SEALING DIS/VENT PS	2
5	906010_A	M5 PLANE WASHER	1
6	906708	TUB SOAP INLET INOC CONNECTOR ϕ 5	1
7	907278_A	CRYSTAL RED PIPE 4X6	3
8	907279_A	SILICONE PIPE 4X7	1
9	907456_A	INOX WEIGHT 190 mm RINSING/SOAP PIPE	2
10	952820	DOUBLE DISPENSER SUPPORT	1

DRAIN PUMP

Item Number	Code	Description	Quantity
1	903269_A	DRAIN PUMP 220V 50HZ 30W Type P25	1
2	907439_A	DRAIN PIPE ϕ 19 90° 2000MM PS	1
3	903672_A	DRAIN PUMP SLEEVE E45-E50-N650-N750	1



REVISIONS

Rev.	Description of changes	Date	Reviewed by
01	ADDED NEW COMPONENT IN THE "CABINET AND PANELS" TAB	22/04/2025	3Dconsultant
02	REVISED THE COMPONENTS INDICATED IN THE DRAWING	22/05/2025	3Dconsultant
03	UPDATED MAIN ASSEMBLY IMAGES AND REMOVED GASKET	26/05/2025	3Dconsultant
04	ADDED BOILER+RESISTANCE 3KW, CHANGED ALL LEDS	18/09/2025	3Dconsultant
05	UPDATE	19/11/2025	3Dconsultant2
06	ADDED MISSING CODES	20/11/2025	3Dconsultant2