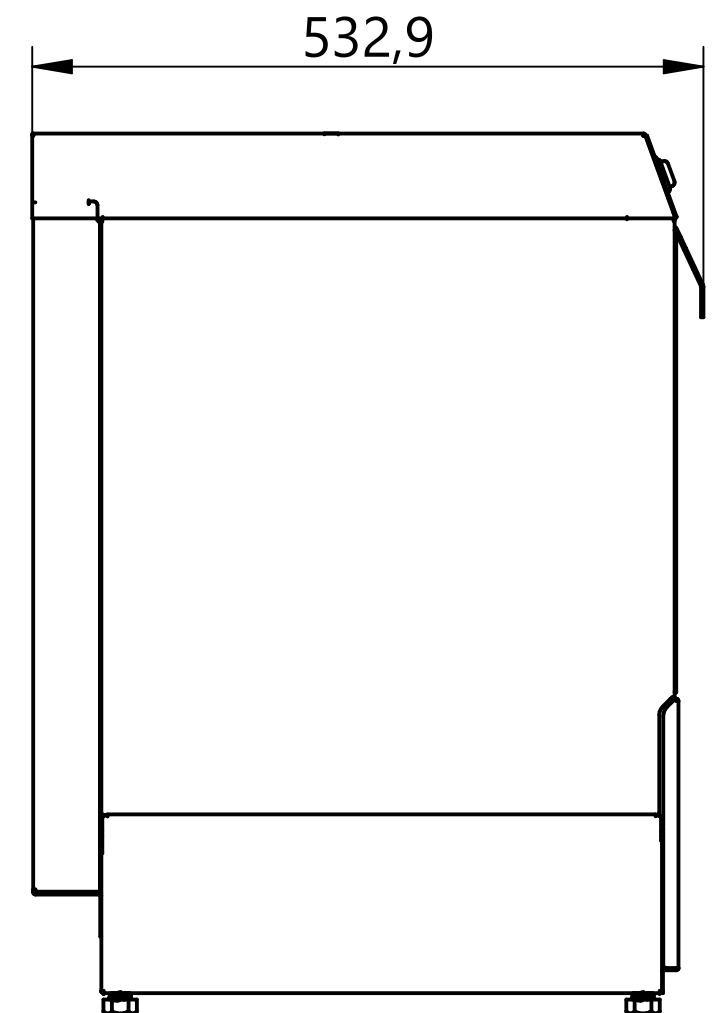
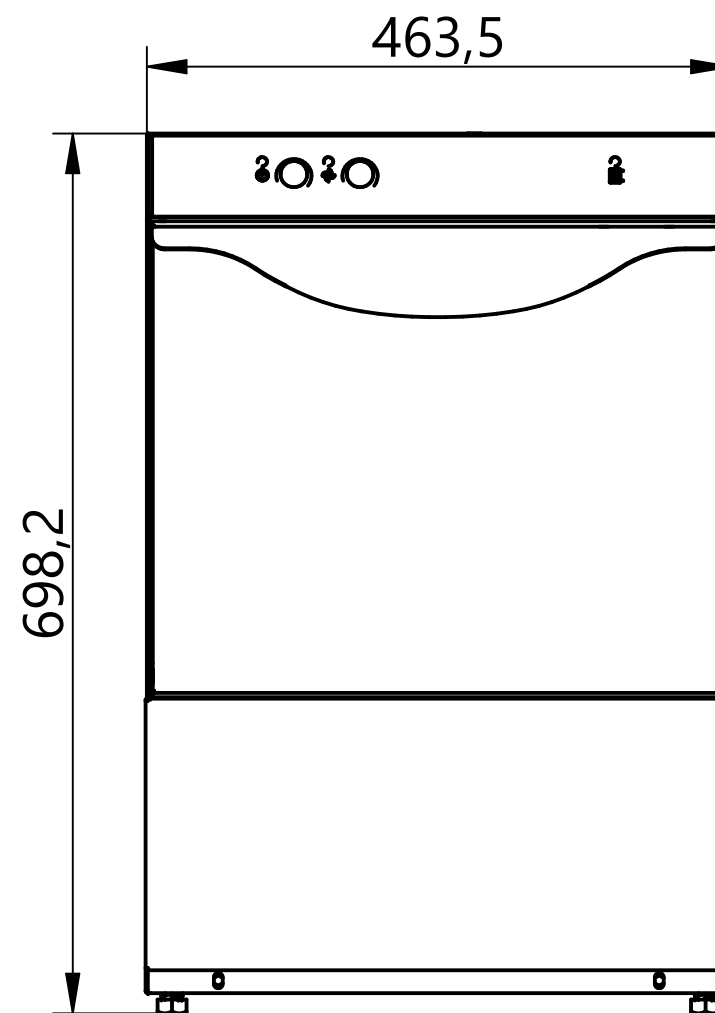


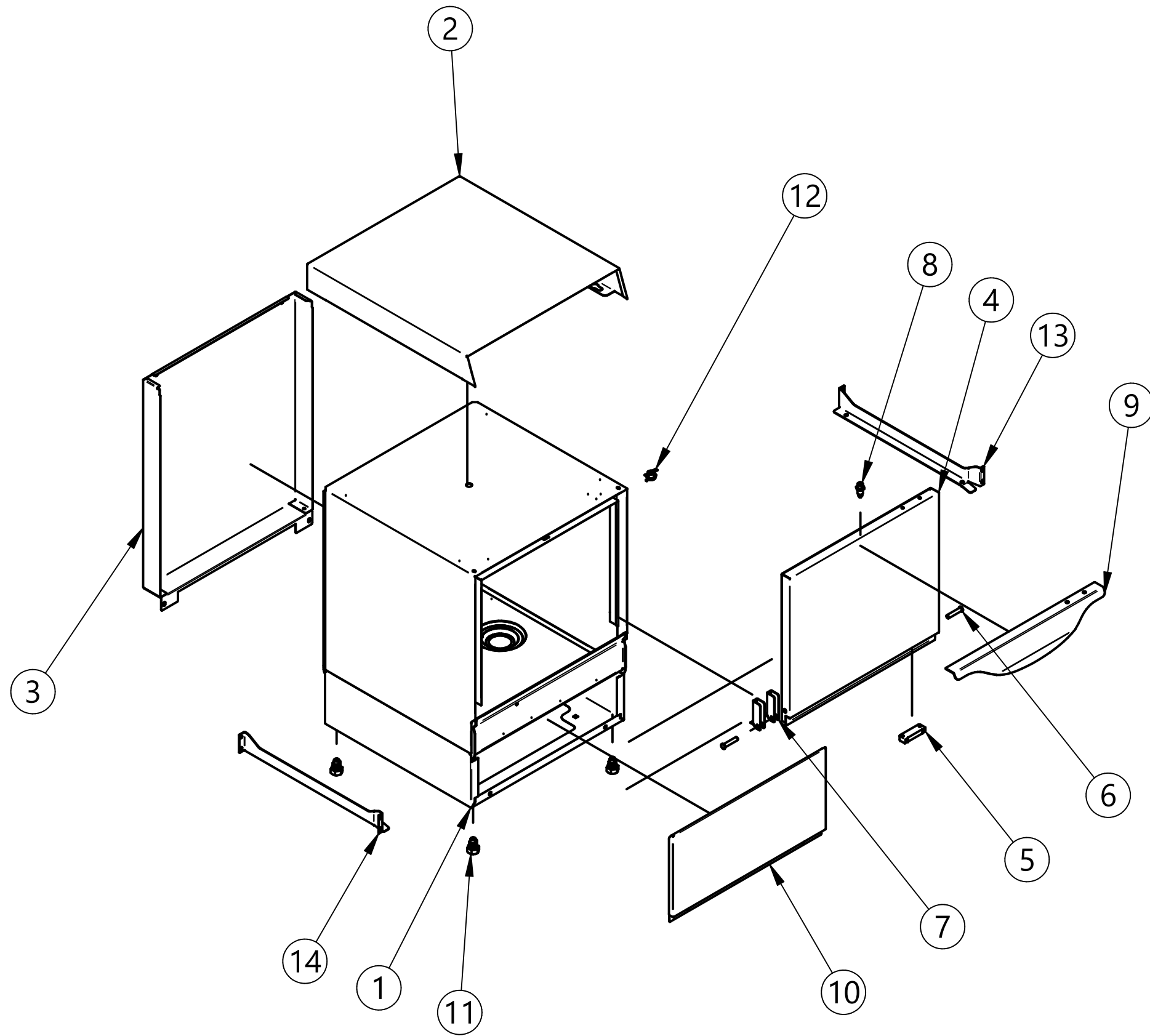
EXV057- Exploded View - GGM - 100263/100264



Chapter	Description	Page
1	CABINET AND PANELS	2
2	WASHING SYSTEM	3
3	SPRAY ARMS	4
4	ELECTRONICS	5
5	DISPENSER	6
6	DRAIN PUMP	7
7	BOILER	8
8	REVISIONS	9

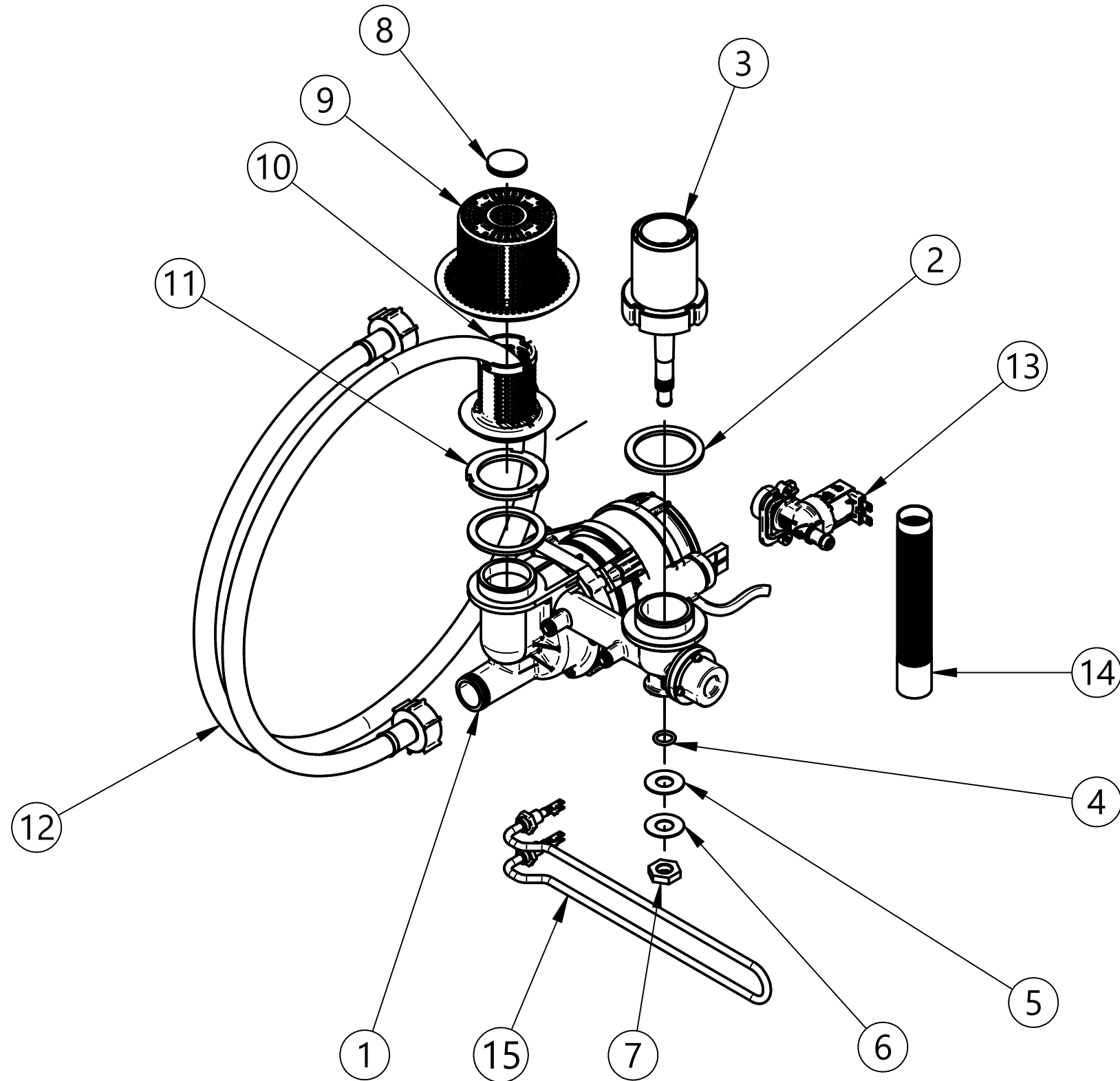


CABINET & PANELS



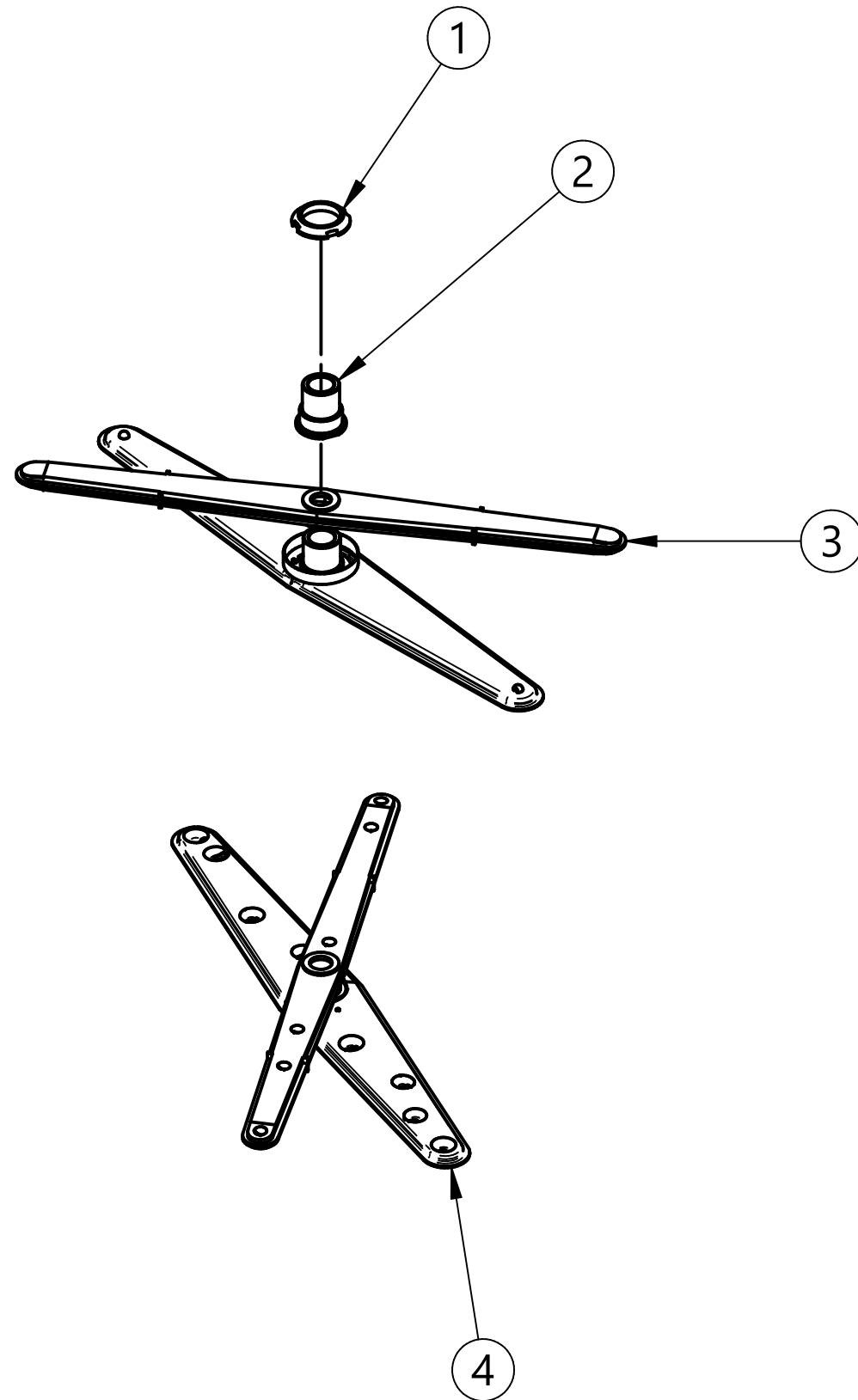
Item number	Code	Description	Quantity
1	900250_A	TUB + BAS. E40HL FLK	1
2	900552_A	UPPER PANEL E40 E40H ECO	1
3	904767_A	BACK PANEL E40-E40HR 2012	1
4	905168_A	DOOR E40H ECO WITH HANDLE	1
5	903651_A	MAGNET + FRONT COVER	1
6	904795_A	DOOR PIN	2
7	901245_A	HINGE FOR DISHWASHER DOOR	2
8	906121_A	LOCKER WITH WHEEL AND M12 NUT	1
9	954125_A	TUB BAND E40HL-E40H PRG FLK	1
10	904507_A	LOWER PANEL E40 E40H	1
11	905000_A	DISHWASHER FOOT PVC NEW	4
12	907244	TUB THERMOSTAT 55° PAD	1
13	909952_A	RH BASKET GUIDE E40_E40H	1
14	909953_A	LH BASKET GUIDE E40_E40H	1

WASHING SYSTEM



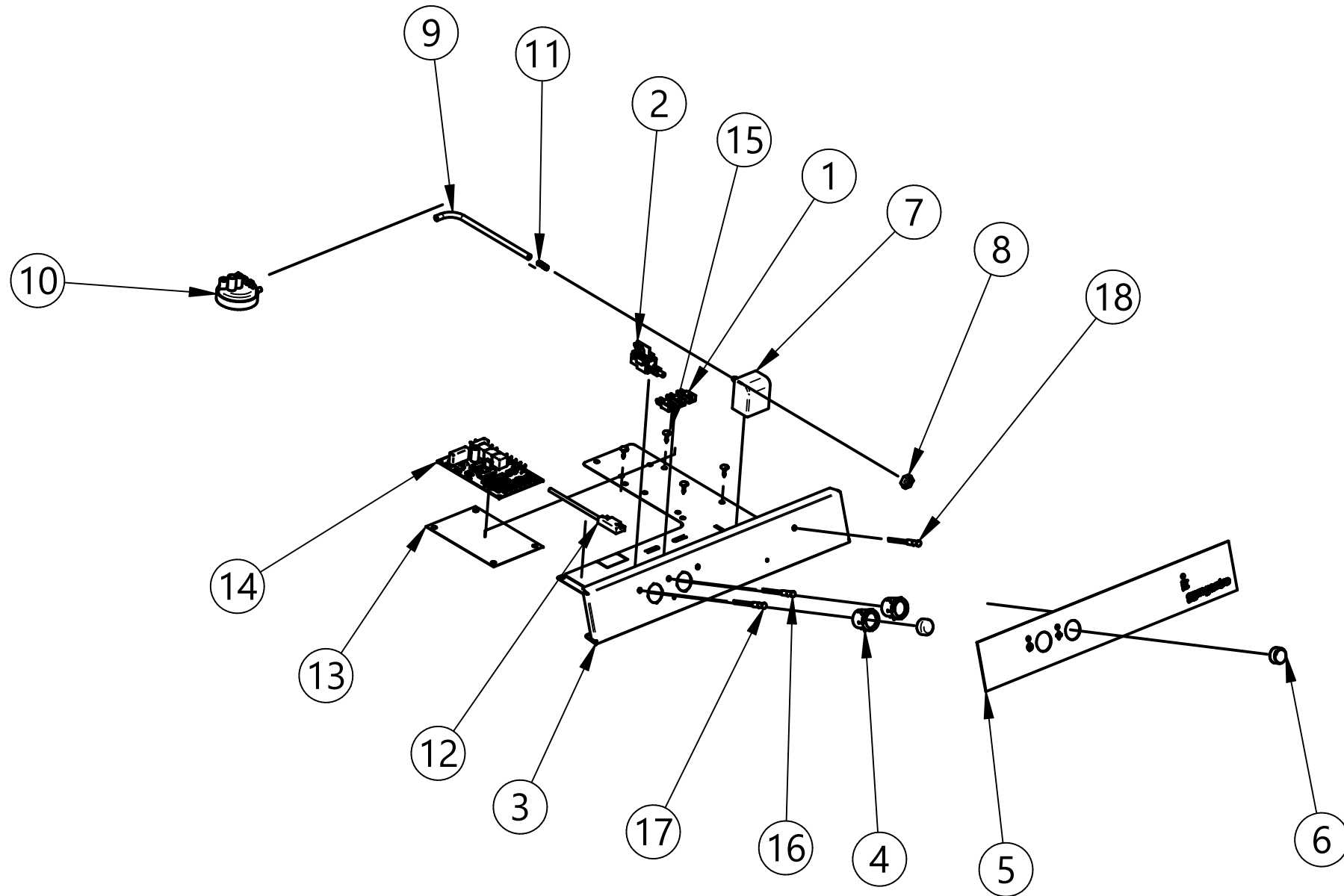
Item number	Code	Description	Quantity
1	902271_A	PUMP 0.17KW 230/1/50 SERIE S GIS	1
2	903301_A	IMPELLER HUB SEALING th.3mm	2
3	902268_A	LOWER HUB RINSING WASH SERIES S/E	1
4	906222_A	CHECK VALVE OR_RINSING	1
5	903303_A	PUMP RINSING SEALING SERIES S/E	1
6	906004_A	WASHER $\phi 30 \times 13.5 \times 0.8$ AERATOR	1
7	904534_A	NUT EX.22 1/4 INOX	1
8	906407_A	INOX PLUG FOR SUCTION FILTER SERIES S/E	1
9	902273_A	SUCTION FILTER SERIES S/E	1
10	902271_A	PUMP THREADED FILTER SERIE S/E	1
11	902133_A	INOX RING 1" 1/2 FOR PUMP SERIES S/E	1
12	907348_A	CHARGING PIPE 90° 1500MM S 800 HW	1
13	902390_A	1-WAY ELECTROVALVE $\phi 10$	1
14	907446_A	STRAIGHT HOSE $\phi 21-29$ 1500MM WITHOUT DRAIN PUMP	1
15	905771_A	TUB RESIST. 1.6KW 230V	1

SPRAY ARMS



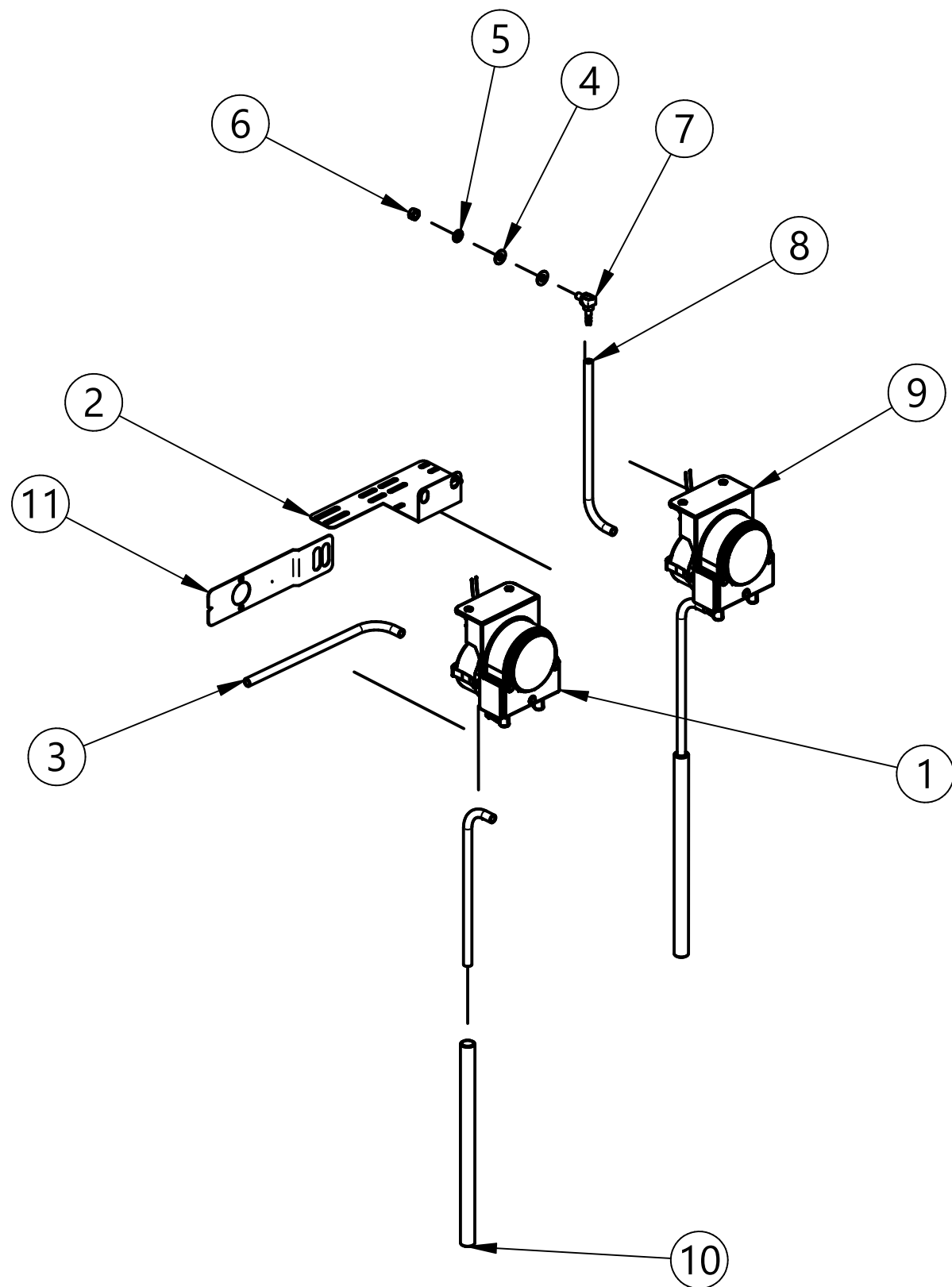
Item number	Code	Description	Quantity
1	904276_A	RING FOR LOWER WASHING IMPELLER HUB	4
2	904279_C	HUB FOR WASHING IMPELLER	4
3	907956.202_A	RINSING IMPELLER PLASTIC	2
4	902906_A	WASHING IMPELLER	2

ELECTRONICS



Item number	Code	Description	Quantity
1	904140_A	3-POLE TERMINAL BLOCK	1
2	905312_A	INCLINED FASTON SWITCHER 2	1
3	907906	PLATE-HOLDER E40-E40H ECO NO LOWERING COMPLETE	1
4	905227	D,25 BUTTON BRACKET EMBOSSED GRAY RAL7015	2
5	909607_B	PLATE E40-E40H BLACK GGM	1
6	905290	D,25 GLOSSY BLACK BUTTON	2
7	905266_A	45MM GREY AIR TRAP NEW	1
8	902038_A	PLASTIC M12 NUT	1
9	907279_A	SILICONE PIPE 4X7	1
10	905270_A	PRESSURE SWITCH 20-40	1
11	905314_A	INCLINED SWITCH/DIVERTER 6 FASTON	1
12	909285_A	MGNETIC REED FOR ELECTRONIC DISHWASHERS	1
13	903623_A	BOARD INSULATOR 133 x 90	1
14	907169_A	BOARD TRONIC CLONE ELCA	1
15	902193_A	ELECTRIC TIMER SPACER	4
16	903686_A	ORANGE LED ϕ 6+WIRES DEP. CICLE	1
17	903648_A	GREEN LED ϕ 6+WIRES F/F	1
18	903687_A	ORANGE LED ϕ 6+WIRES	1

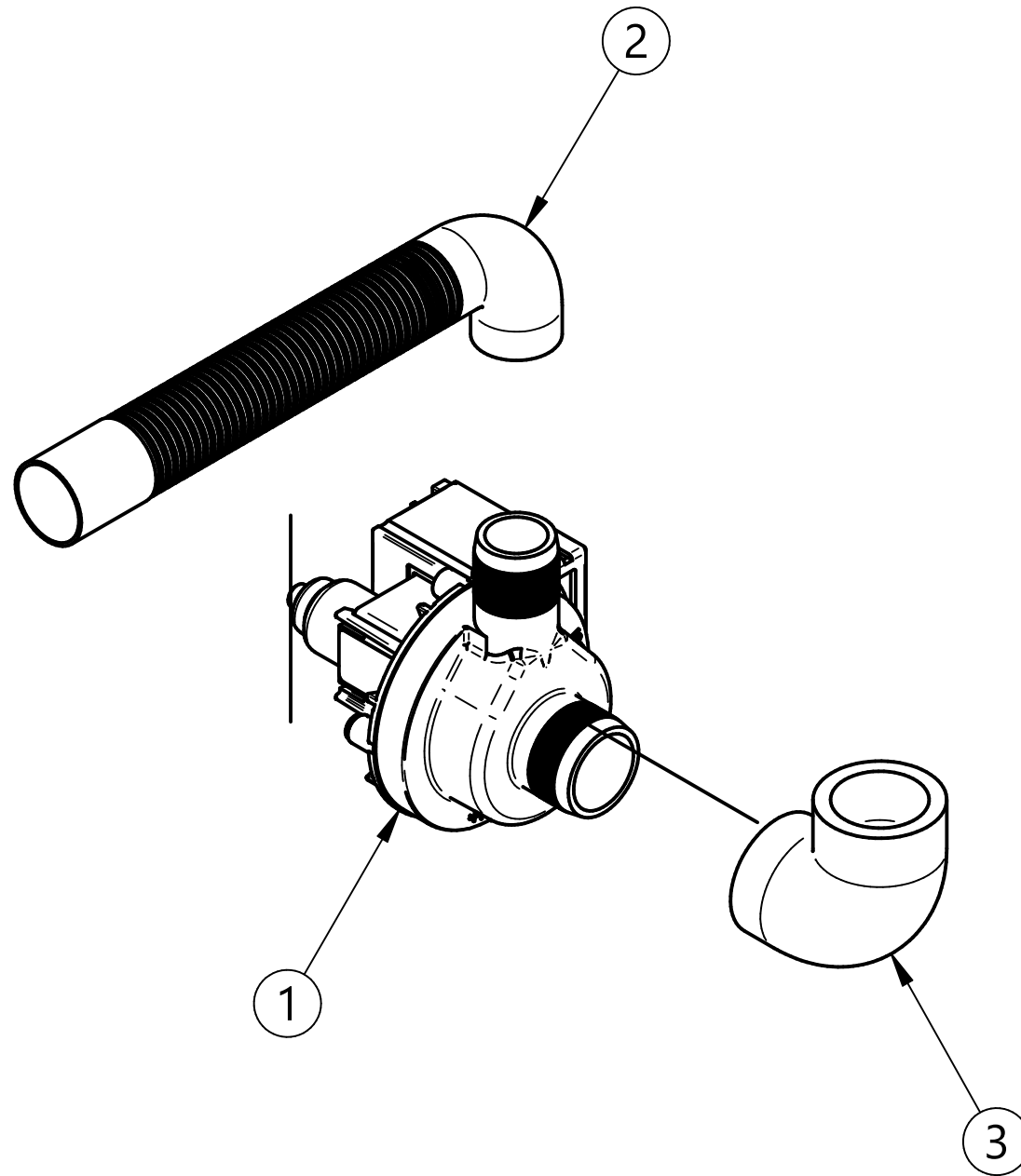
DISPENSER



Item number	Code	Description	Quantity
1	902062_A	SEKO TIMED PERISTALTIC RINSE AID DISPENSER	1
2	952820_A	DUBLE SUPPORT DISPENSER	1
3	907279_A	SILICONE PIPE 4X7	1
4	903253_A	SEALER DISPENSER/DISCHARGE PS	2
5	906010_A	PALIN WASHER M5	1
6	902030_A	SELF-LOCKING NUT M5	1
7	906708_A	INOX JOINT FOR SOAP TANK INLET D.5	1
8	907278_A	CRYSTAL RED PIPE 4X6	3
9	902052_A	PERISTALTIC SOAP DISPENSER SEKO	1
10	907456_A	INOX WEIGHT 190 mm AID/SOAP PIPE DISPENSER	2
11	903249_A	SUPP. TERMOSTATO TG-DOSATORE BRILL. SEKO	1

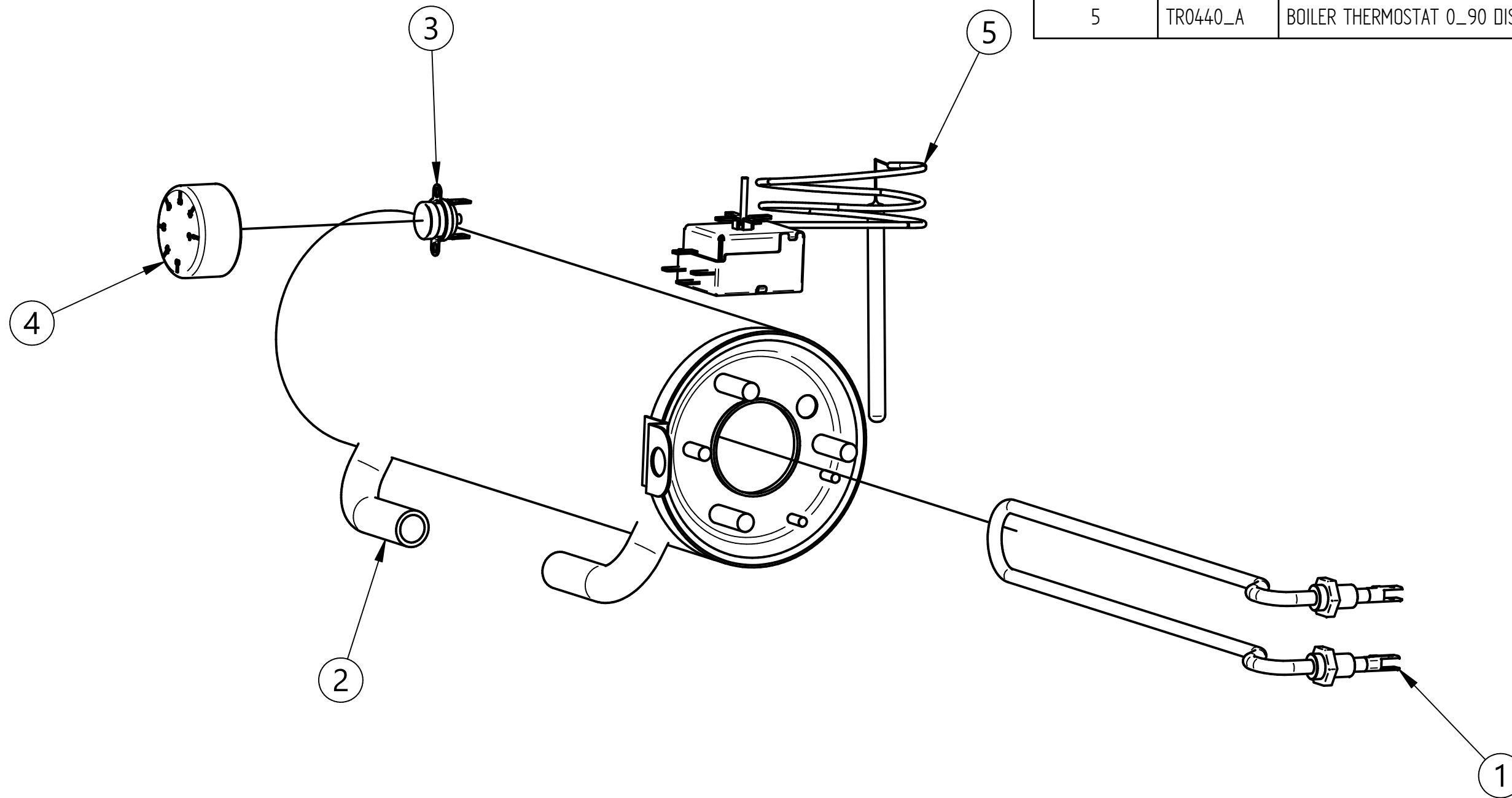
DRAIN PUMP

Item number	Code	Description	Quantity
1	903269_A	DISCHARGE PUMP 220V 50HZ 30W Type P25	1
2	907439_A	DISCHARGE PIPE Ø19 90° 2000MM PS	1
3	903672_A	DISCHARGE PUMP SLEEVE E45-E50-N650-N750	1



BOILER

Item number	Code	Description	Quantity
1	905771_A	TUB RESISTANCE 1.6KW 230V	1
2	900326_A	BOILER E40-E40H + RES.2.8KW Ø125	1
3	907297_A	SAFETY THERMOSTAT SWITCH 110°C	1
4	903982_A	ADJUSTABLE THERMOSTAT HANDLING 0/90° IMIT	1
5	TR0440_A	BOILER THERMOSTAT 0_90 DISHWASHER	1



REVISIONS

Rev.	Description of changes	Date	Reviewed by
00	FIRST ISSUE	25/06/2025	3Dconsultant2
01	GENERALE UPDATES, ADDED TUB RESIST., REPLACED MACHINE PLATE	10/11/2025	3Dconsultant2