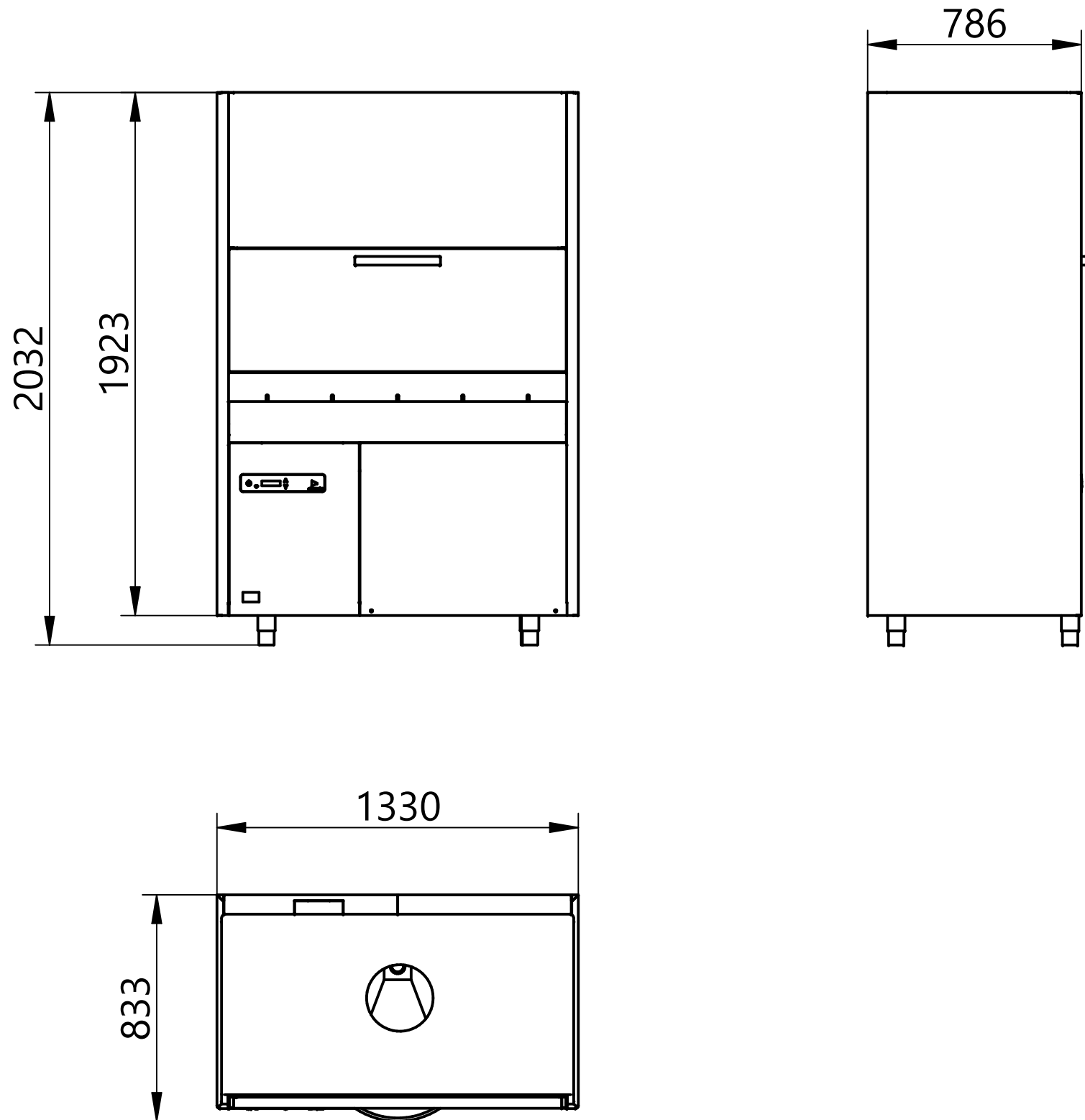


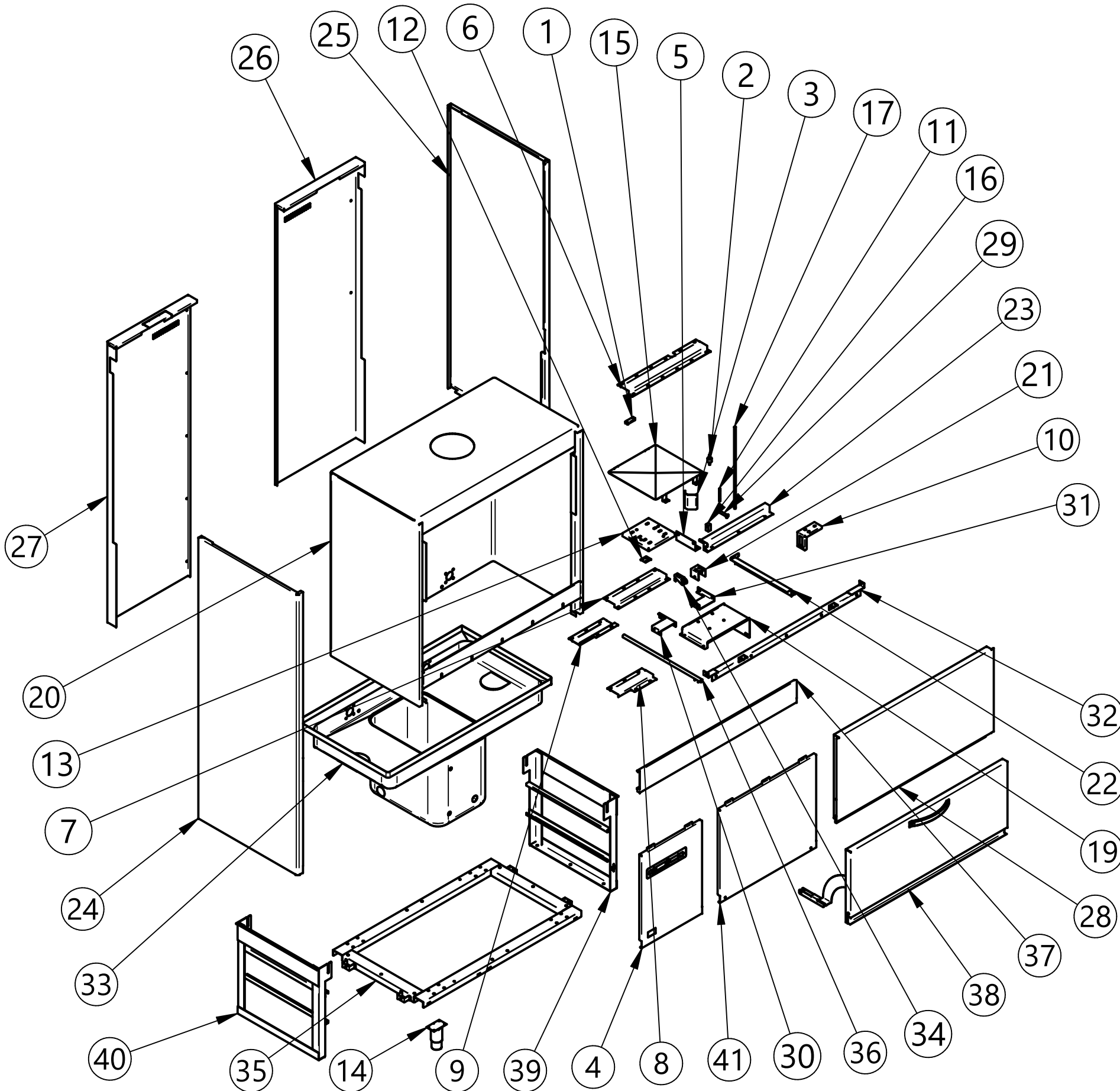
EXV083 - Exploded View - GGM - LP109



Chapter	Description	Page
1	CABINET AND PANELS	2
2	WASHING SYSTEM	3
3	SPRAY ARMS	4
4	ELECTRONICS DIGIT3	5
5	DISPENSER	6
6	BREAK TANK	7

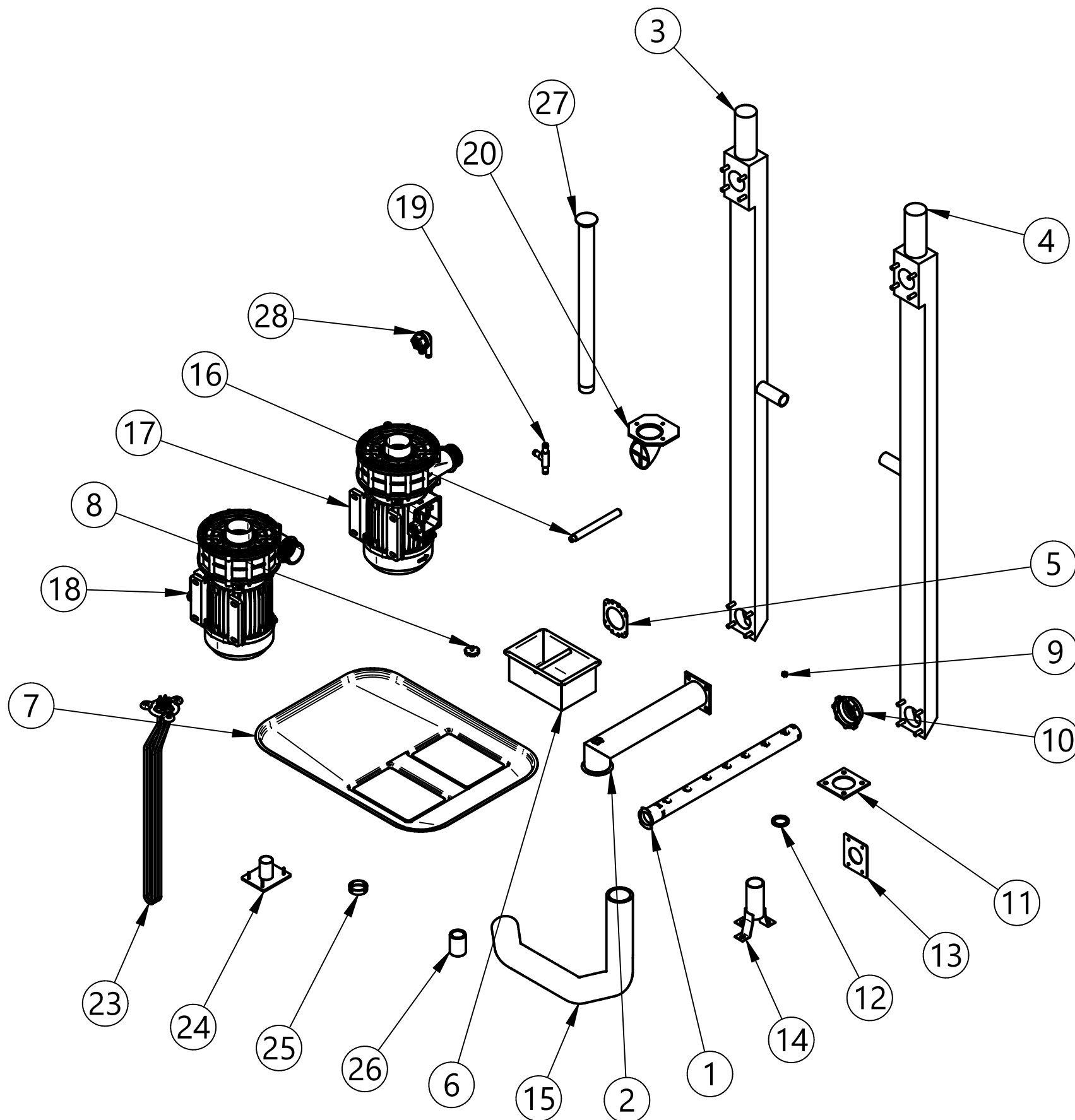


CABINET & PANELS



Item number	Code	Description	Quantity
1	903651_A	MAGNET + FRONTAL COVER	1
2	905017_A	ANTI-VIBRATION 30x20	8
3	908736_A	BRACKET FOR BASKET ENTRANCE LP67 LP109	2
4	952050	COMMAND PANEL LP109 EVO3	1
5	955650_A	BRACKET BASEMENT-TUB LPN67/LPN109	1
6	955780_A	SIDE BRACKET FOR TUB LP109	2
7	955781_A	BACK CENTRAL BRACKET FOR TUB LP109	1
8	955782_A	BACK LH SIDE BRACKET FOR TUB LP67 LP109	1
9	955783_A	BACK RH SIDE BRACKET FOR TUB LP67 LP109	1
10	955784_A	BASKETS GUIDE SUPP. LPN	2
11	956054_A	SPRING REGULATION PIN T-LPN	2
12	TR0616_A	SPRING JOINT SUPP. LP67 109	2
13	TR0630_A	PLATE SUPP. FOR PUMP	2
14	TR0861	FOOT 1½"	4
15	TR0922_A	SPALHS-GUARD FOR VAPOR DISCHARGE LP 109	1
16	TR0931_A	DOOR TIGHTENING BLOCK LP67	4
17	TR0943_A	DOOR TIGHTENING LP67 H 860	2
18*	TR0995_A	COVER FOR DOOR MICRO LPN67/LPN109 w.	1
19	TR1133_A	PLATE FOR HI-PRESS PUMP LP109 B	1
20	TR1405	HOOD LP109B H850 COMPL.	1
21	TR2008_A	BRACKET FOR DOOR SPRING	2
22	TR2181_A	LH SPLASH-GUARD LP67-109 H=850MM	1
23	TR2219_A	RH SPLASH-GUARD LP67 H=860	1
24	TR2242_A	LH SIDE PANEL LP109 H850mm	1
25	TR2243_A	RH SIDE PANEL LP109 H850mm	1
26	TR2244_A	LH BACK PANEL LP109 H=850mm	1
27	TR2245_A	RH BACK PANEL LP109 H=850mm	1
28	TR2246_A	UPPER DOOR LP 109 STAMP.h-850mm	1
29	TR2446_A	PIN FOR DOOR LP67-109	2
30	TR3373_A	PUMP SUPP. RH LP109	2
31	TR3374_A	PUMP SUPP. LH LP109	2
32	TR3376_A	SPRING SUIPP. BEAM LP109	1
33	TR3601	TUB	1
34	TR3632_A	HINGE LP67 -109	2
35	TR3654_A	BASEMENT LPN109	1
36	TR3656_A	BASKET-HOLDER GUIDE LPN109	2
37	TR3663_A	FRONT SHEET LP109	1
38	TR3664_A	LOWER DOOR LP109 COMPLETA	1
39	TR3668	TUB LH SUPPORT	1
40	TR3669	TUB RH SUPPORT	1
41	TR3703_A	FRONT PANEL LP109	1

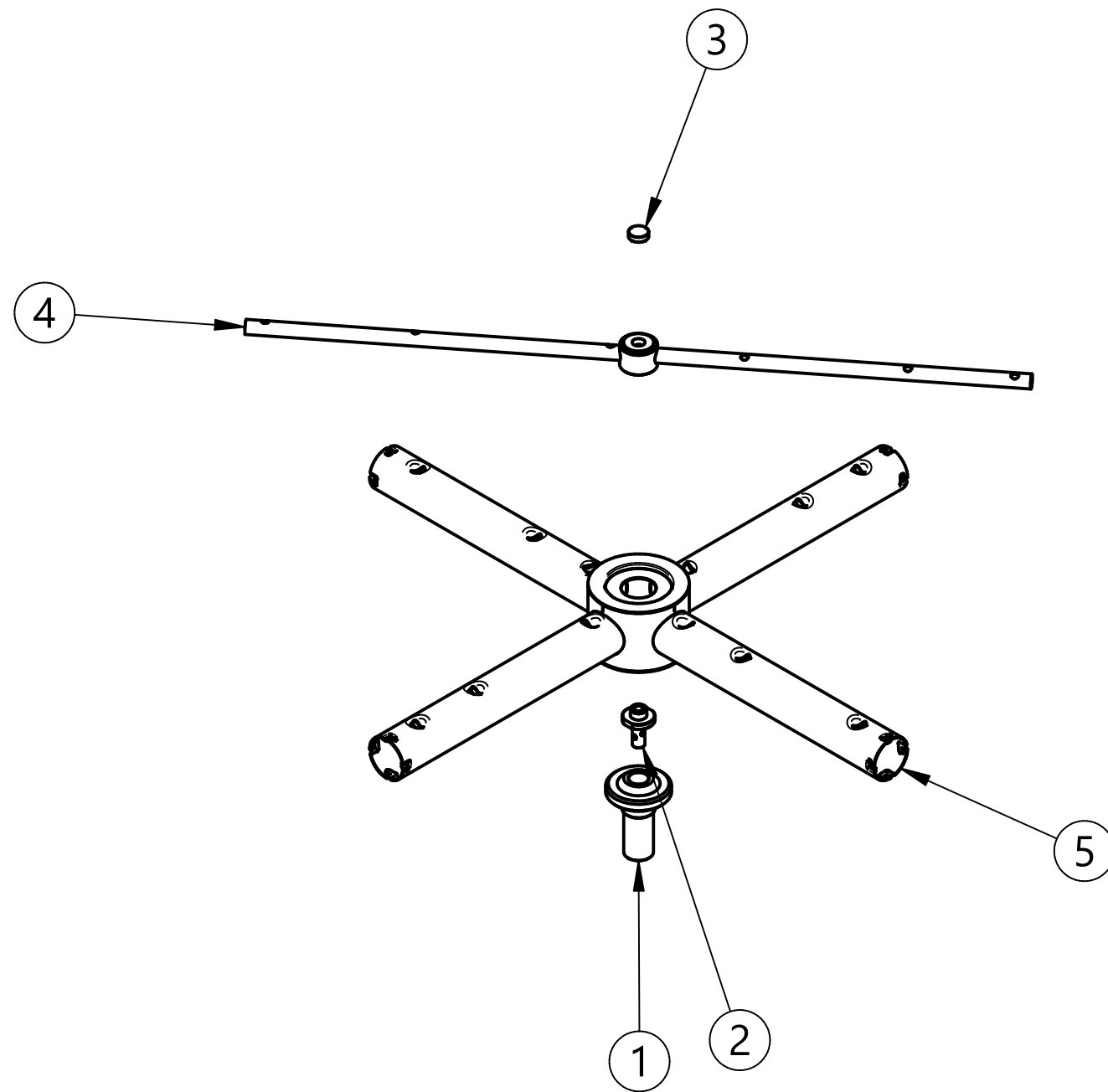
WASHING SYSTEM



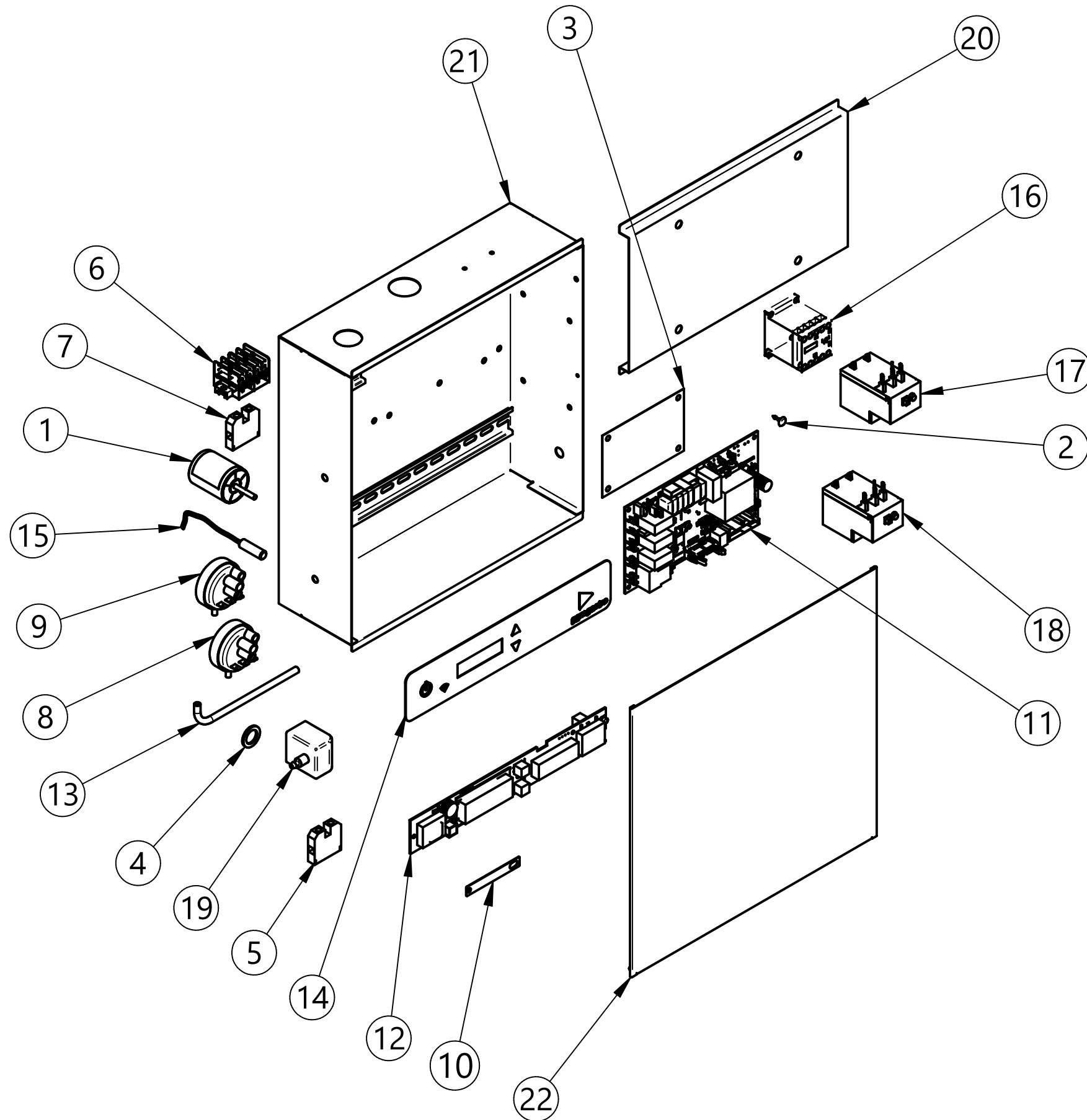
Item number	Code	Description	Quantity
1	TR3513_A	SIDE WASH ARM LPN67/LPN109	2
2	908732_A	COMPLETE WASH ARM	4
3	TR2267_A	WASH COLUMN LPN109 H RH	1
4	TR2268_A	WASH COLUMN LPN109 H LH	1
5	TR2091_A	COUNTERFLOW FOR T-N WASH PIPE FIXING	2
6	906704_A	DRAWER FILTER ASSEMBLY	2
7	TR3602_A	SURFACE FILTER LP N109-PRESSED DRIVE	1
8	902880_A	IMPER LOCKING RING	4
9	902132_A	REAR PANEL FIXING RING	4
10	902061_A	MOPLEN RING 1/2" GAS BULB HOLDER	1
11	903381_A	WASH COLUMN GASKET	8
12	903404_A	STAINLESS STEEL T-N WASH ARM GASKET	18
13	TR3571_A	SIDE ARM FLANGE GASKET LPN67/LPN109	2
14	TR0464_A	STAINLESS STEEL OVERFLOW GUIDE T-N-LP	1
15	TR2309_A	WASHER DELIVERY SLEEVE, N SERIES	2
16	908735_A	WASHER PIN LPN67/LPN109	4
17	TR3331_A	PUMP 2KW 400/3/50	1
18	TR3338_A	PUMP 2KW 400/3/50 LH	1
19	905382_A	3-WAY CONNECTOR	3
20	TR0977_A	90° INTAKE CONNECTOR FOR TANK	2
23	TR0335_A	TANK HEATER 8KW 230V	1
24	TR3647_A	SIDE WASH ARM SUPPORT LPN	2
25*	TR3230_A	WASH ARM CAP STAINLESS STEEL T-N	18
26	903757_A	FLOW PIPE MODEL B/PS	1
27	TR0939_A	OVERFLOW 480MM T STAINLESS STEEL	1
28	TR2434_A	HALF-CLOSED NON-RETURN VALVE	1

SPRAY ARMS

Item number	Code	Description	Quantity
1	904281_A	WASHING ARM HUB	4
2	904762_A	INOX PIN FOR WASHING ARM LP67	4
3	906453_A	INOX CAP FOR RINSING ARM	1
4	TR0902_A	RINSING SPRAY ARM LP109	4
5	TR0994_A	WASHING SPRAY ARM LPN109	4



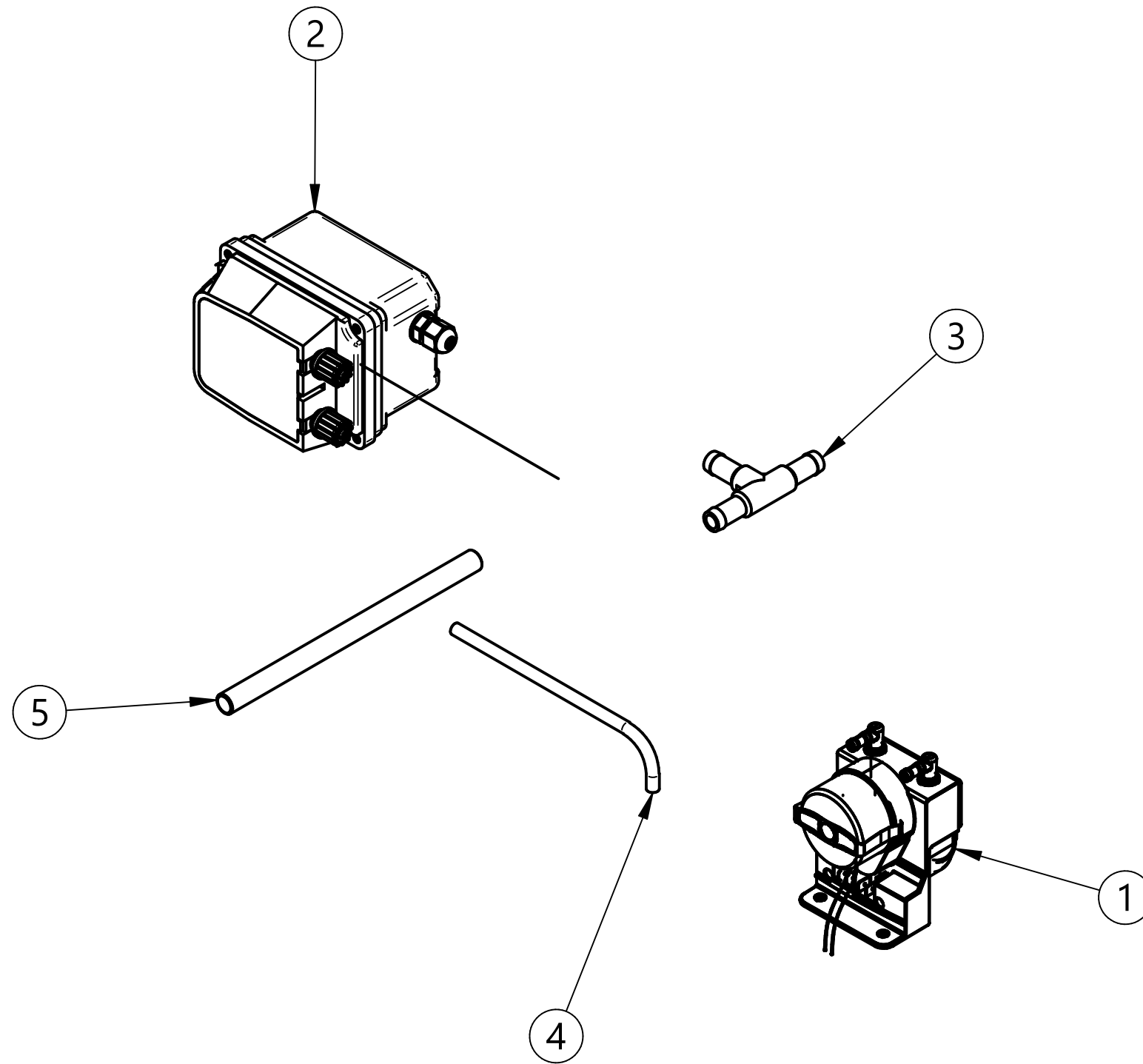
ELECTRONICS



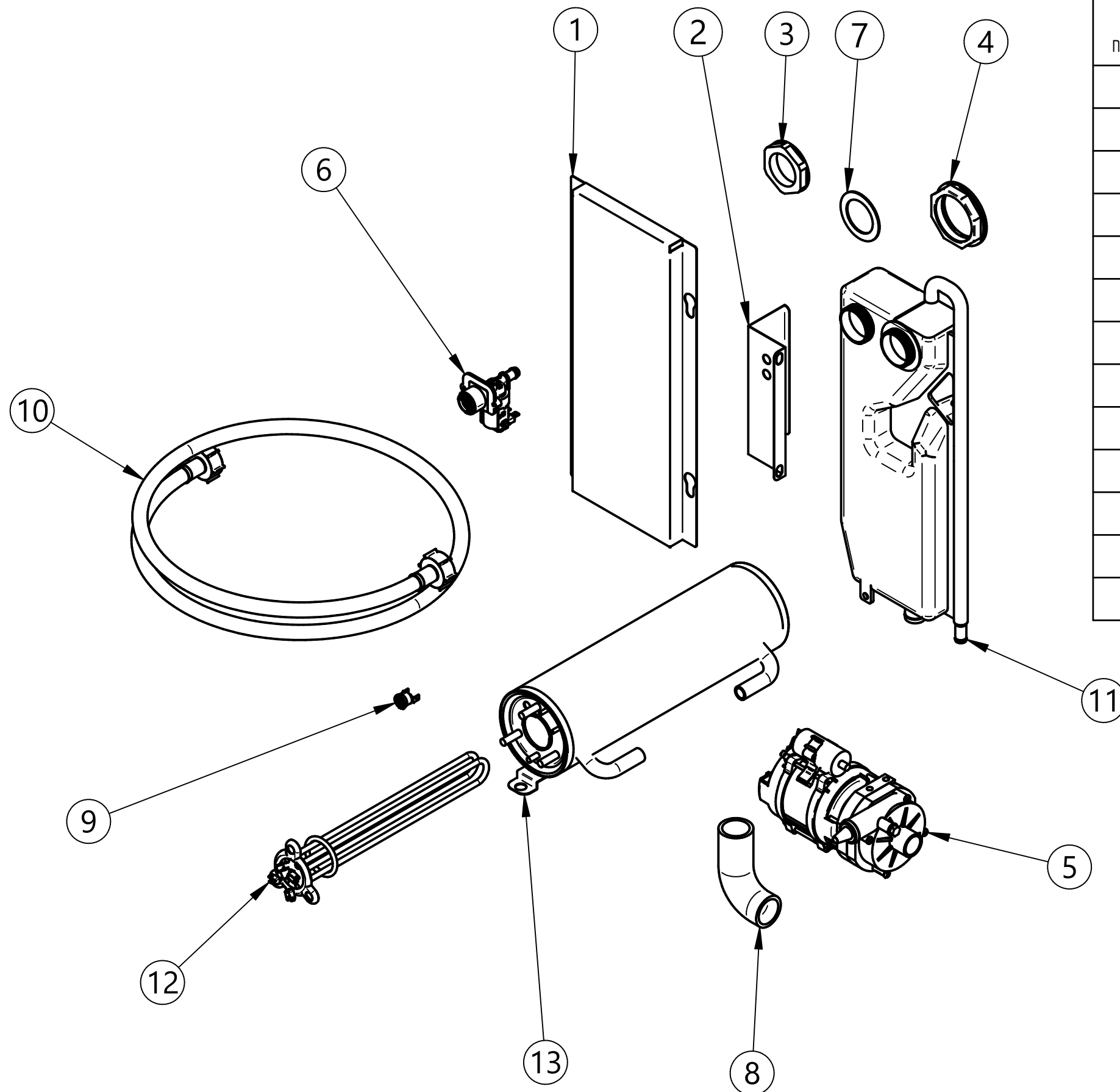
Item number	Code	Description	Quantity
1	902107_A	THREE-PHASES ANTI-NOISE FILTER	1
2	902193_A	ELECTRIC TIMER SPACER	4
3	902302_A	BASE BOARD INSULATOR EVO2/3 ELCA 200X100	1
4	903260_A	SEALER 3/8 AIR TRAP	1
5	903376_A	GROUND CLAMP TEC.16/0	1
6	904167_A	4-POLES CLAMP W. SHOULDER	2
7	904200_A	CLAMP 12P M	1
8	905200_A	PRESSOSTAT 70/197	1
9	905275_A	PRESSOSTAT 35-90	1
10	906994_C	PRESSOSTAT SUPP. INVENSIS-BITRON	2
11	907398_A	BASE BOARD EVO2/3 ELCA 12 RELAYS	1
12	907401_A	FRONT BOARD EVO3 12 ELCA RELAYS	1
13	907455_A	PRESSOSTAT PIPE 5X8 PVC BLACK	1
14	909609_A	PLATE EVOLUTION SILANOS	1
15	TR0309_A	INOX MAGNETIC REED FOR DRAG	1
16	TR0322_A	SWITCHER 9A 230V 4 LOVATO CONTACTS	6
17	TR0386_A	THERMIC 1/1,6 A LOVATO	1
18	TR0546_A	THERMIC 4/6,5 A LOVATO	2
19	TR0935_A	AIR TRAP INOX 260MM LPN	1
20	TR3372_A	ELECT. BOX GUIDE LP67-109	1
21	TR3658_A	ELECT. BOX LP109 COMPLETE	1
22	TR3667_A	ELECT. BOX COVER LP109	1

DISPENSER

Item number	Code	Description	Quantity
1	902053_A	PERISTALTIC SOAP DISPENSER SEKO NO REG.	1
2	902095_A	PERISTALTIC RINSE DISPENSER SEKO NO REG.	1
3	905434_A	3-WAYS JOINT DISPENSER ON PUMP	1
4	907279_A	SILICONE PIPE 4X7	1
5	907456_A	INOX WEIGHT 190 mm RINSE/SOAP PIPE	2



BREAK TANK



Item number	Code	Description	Quantity
1	900008_A	INTERNAL COVER CAPOTE BT PPH	1
2	900026_A	INOX COVER FOR SPLASH-GUARD BREAK TANK	1
3	902082_A	RING 1" 1/4 INLET/DRAIN LOWERED	1
4	902112_A	RING 2"	2
5	902364_A	PUMP 0.58KW HI-PRESS. LGB	1
6	902390_A	1-WAY ELECTROVALVE ϕ 10	1
7	903325_A	SEALER FOR JOINT BREAK TANK	2
8	903701_A	SUCTION SLEEVE E1000/N1000/N1300/TRAINO	2
9	907243_A	SAFETY THERMOSTAT 95° PAD	1
10	907347_A	CHARGING PIPE 90° 2000MM S 800 HW	1
11	908794_A	BREAK TANK BE 50	1
12	TR0330_A	BOILER RESIST. FLANGE 12KW 230V +OR	1
13	TR1145_A	BOILER LP67B-LP109B WINT VENT	1