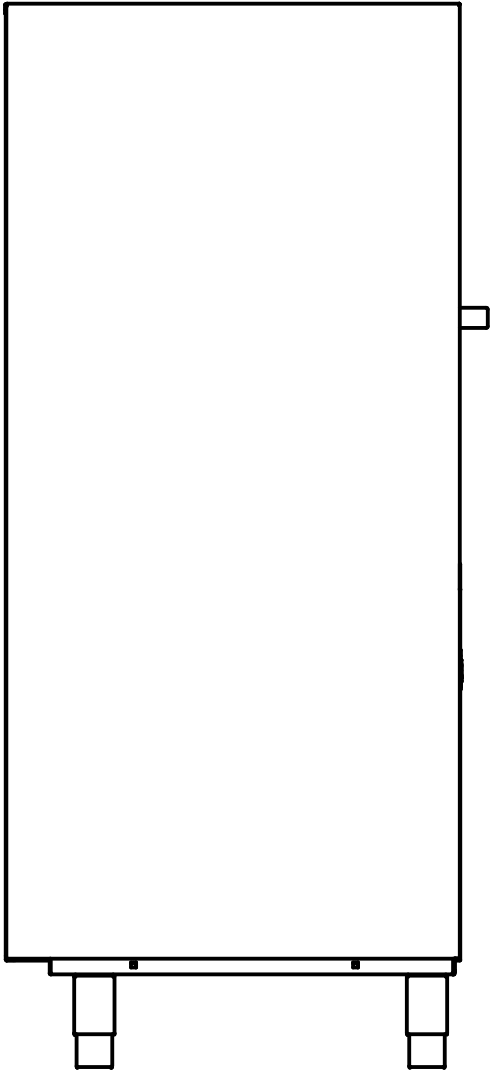
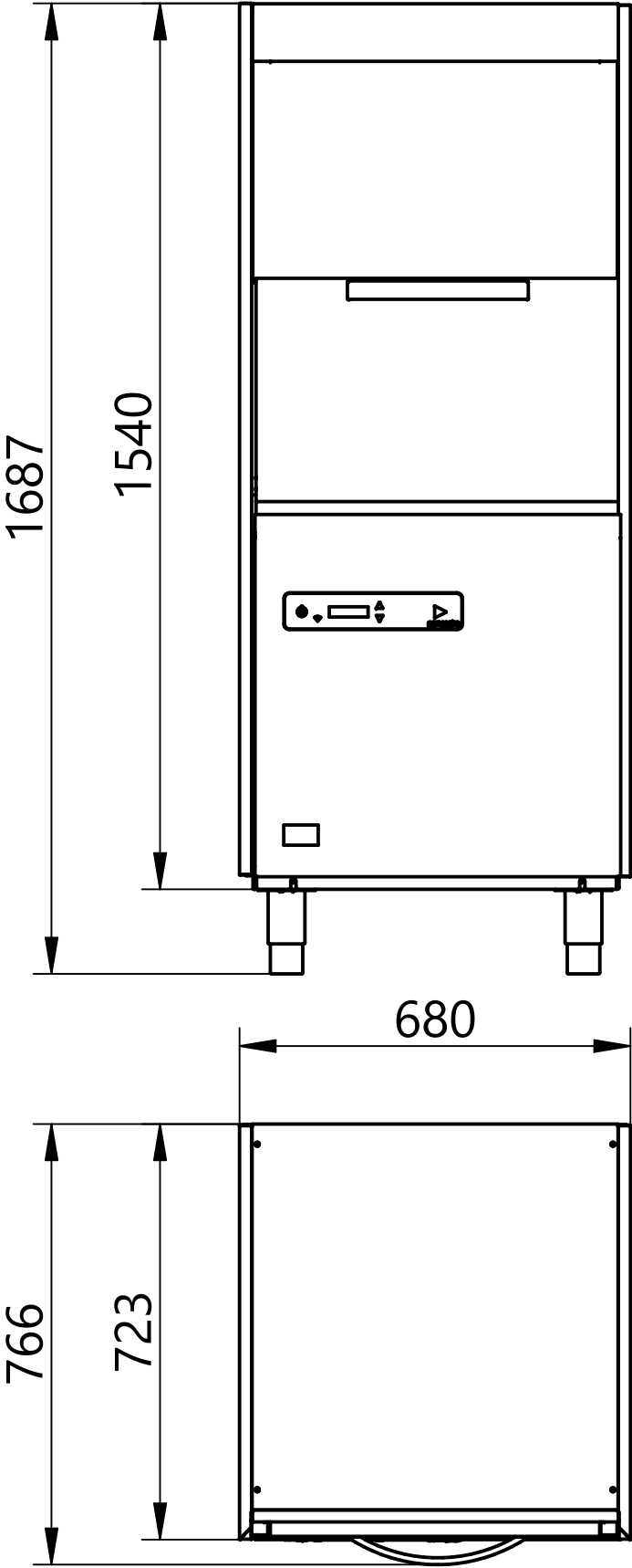


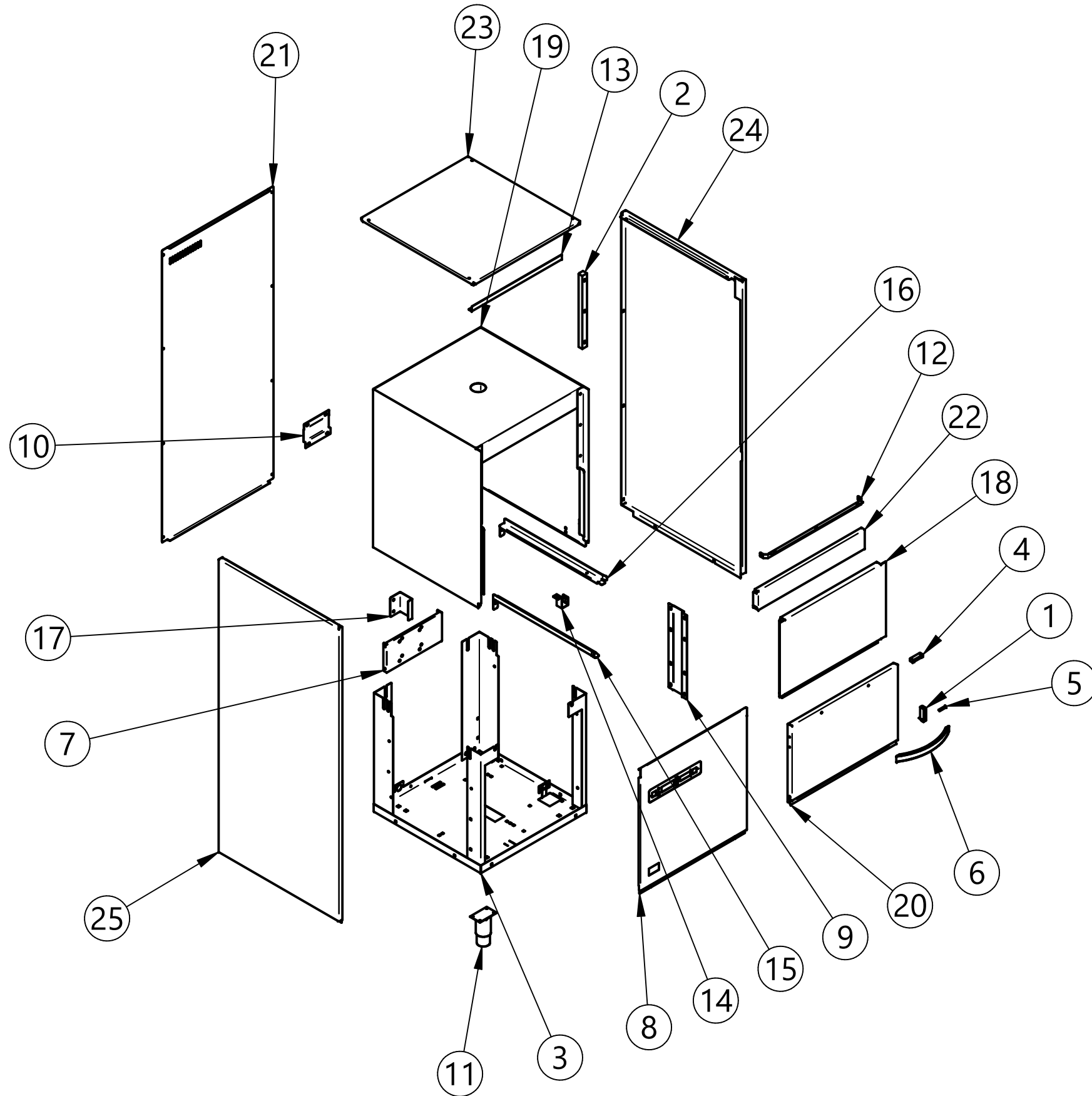
EXV084 - Exploded View - GGM - LP57



Chapter	Description	Page
1	CABINET AND PANELS	2
2	WASHING SYSTEM	3
3	SPRAY ARMS	4
4	ELECTRONICS DIGIT3	5
5	DISPENSER	6
6	BREAK TANK	7

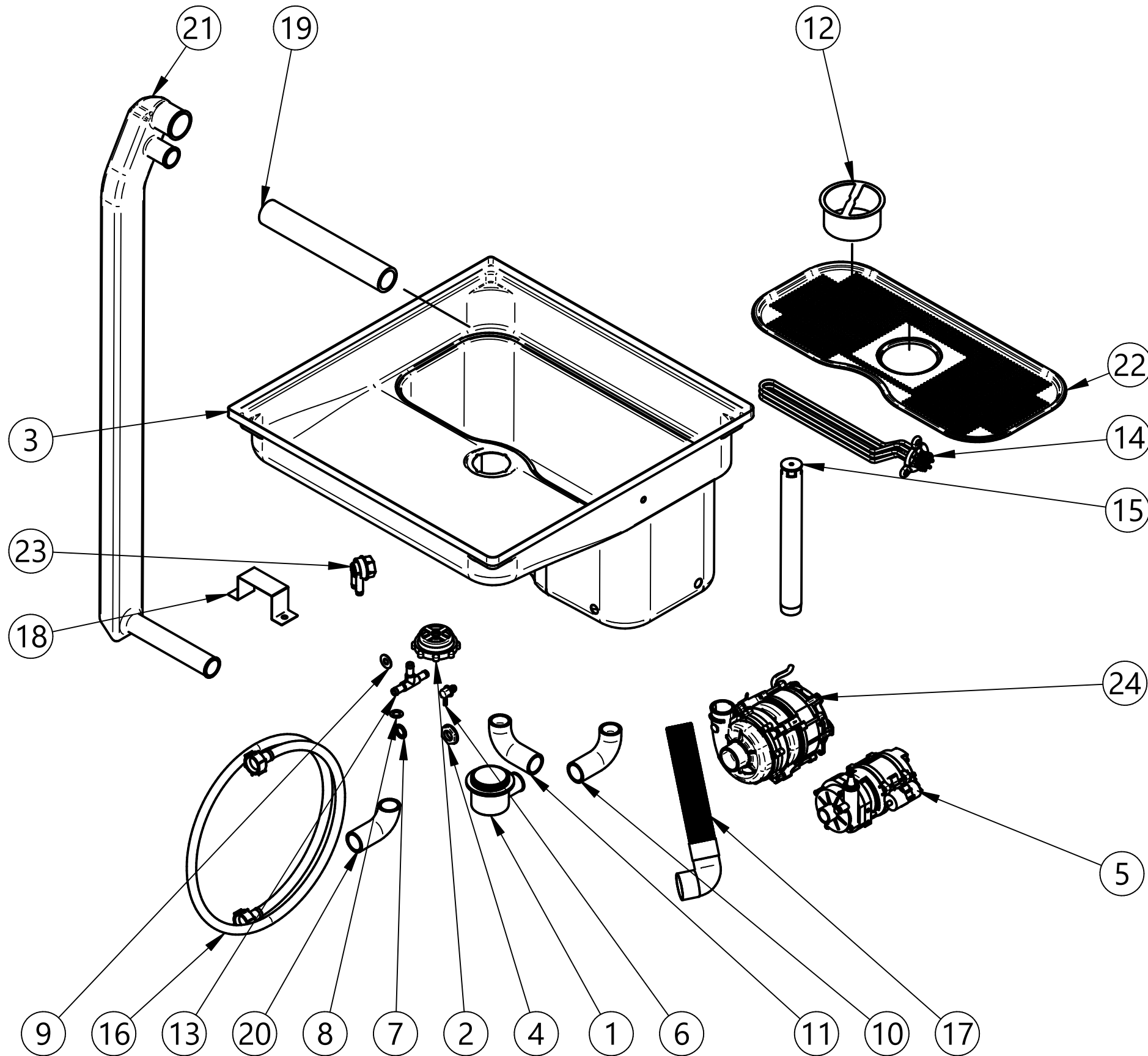


CABINET & PANELS



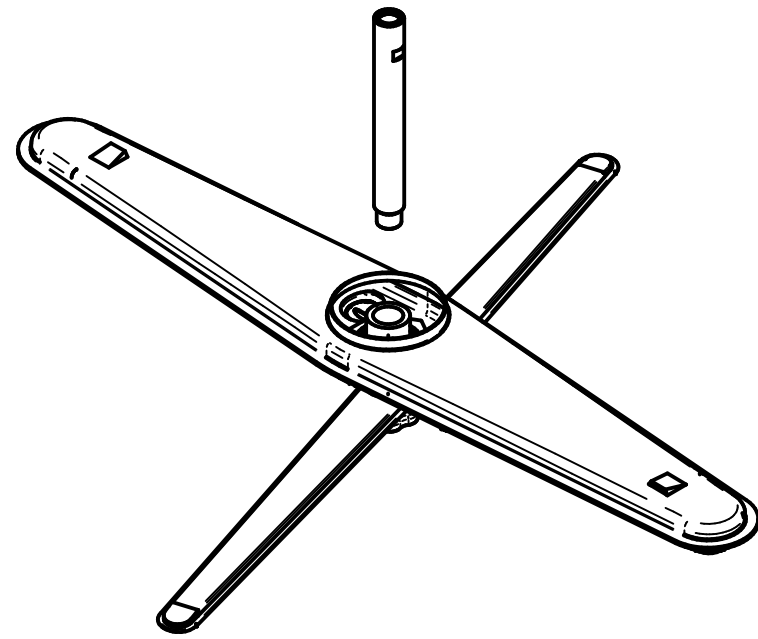
Item number	Code	Description	Quantity
1	901245	HINGE FOR DISHWASHER DOOR	2
2	902994	UPPER DOOR POLIZENE GUIDE LP57	2
3	903356	WELDED BASEMENT N800	1
4	903651_A	MAGNET + FROTNAL COVER	1
5	904795_A	PIN FOR DOOR	2
6	906215_A	BRUSHED ALLUMINIUM HANDLE FOR DOOR	1
7	908574_B	PUMP SUPPORT LP57	1
8	952044_A	COMMAND PANEL LP57A EV03	1
9	955776_A	RH-LH BRACKET CAPOT-VASCA	1
10	955777	BACK BRACKET CAPOT-VASCA	2
11	TR0861	FOOT 1½"	4
12	TR0924_A	SUPP. BEAM FOR UPPER DOOR LP57A	1
13	TR2003_A	SPLASH-GUARD LP57A	1
14	TR2071_A	BASKET GUIDE SUPP. LP57A 2011	2
15	TR2072_A	LH BASKET GUIDE LP57A 2011	1
16	TR2073_A	RH BASKET GUIDE LP57A 2011	1
17	TR2097_A	BACK PANEL BRACKET LP57	2
18	TR3428	UPPER DOOR LP57A.	1
19	TR3591	HOOD LP57A 2011	1
20	TR3609	LOWER DOOR LP57A 2011	1
21	TR3718	BACK PANEL LP57A	1
22	TR3775_A	UPPER FRONT PANEL LP57A 2011	1
23	TR3776	UPPER PANEL LP57A	1
24	TR9564	RH SIDE PANEL LP57A 2021	1
25	TR9565	LH SIDE PANEL LP57A 2021	1

WASHING SYSTEM

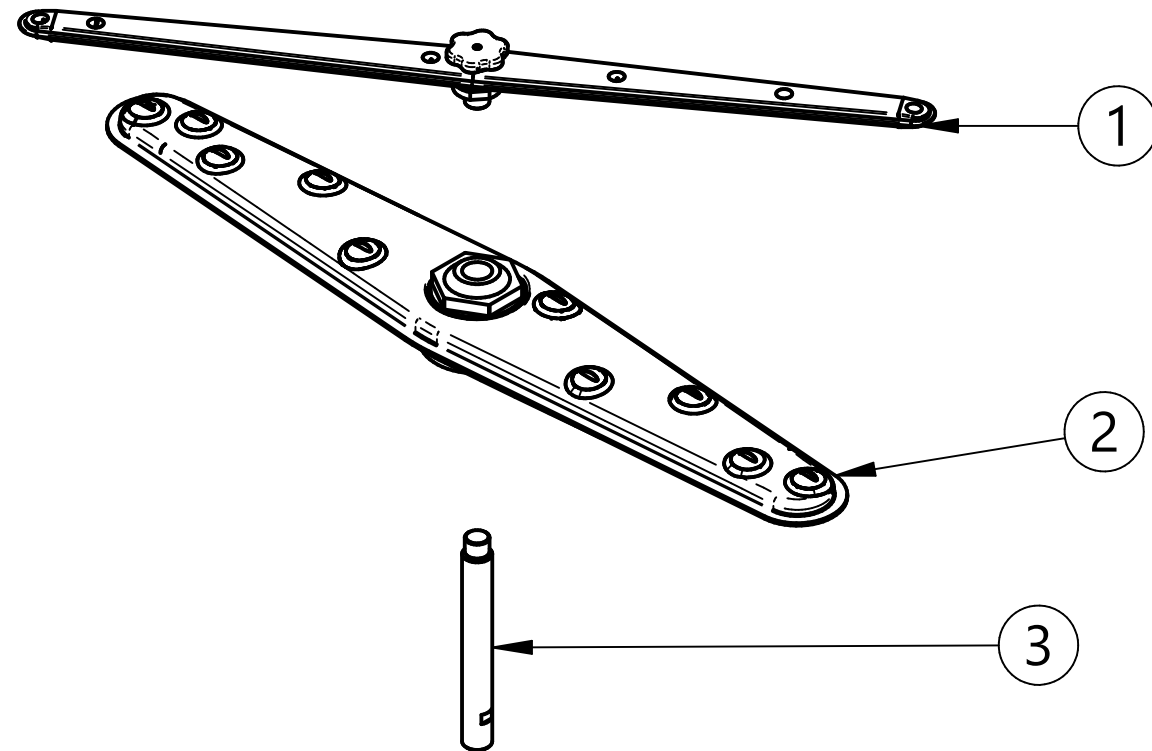


Item Number	Code	Description	Quantity
1	900049_A	LOWER WASHING HUB N1300_N1300S	1
2	900050_A	LOWER WASHING HUB RING MOPLEN N1300	2
3	900077_F	TUB N1300	1
4	902061_A	MOPLEN RING 1/2" GAS	1
5	902241_A	RINSING PUMP CRX RH	1
6	902366_A	INOX CONN. SOAP INLET TUB φ10	1
7	903250_A	SEALER 1/2	1
8	903351	FIBER SEALER UPPER RINSING	2
9	903412_A	SOAP PUMP SEALER	1
10	903701_A	SUCTION SLEEVE E1000/N1000/N1300/TOW	1
11	903713_A	RINSE PUMP SUCTION SLEEVE - PS 020	1
12	904898	INOX FILET NO CYL φ98MM	1
13	905382_A	3-WAYS CONNECTION	1
14	905748_A	TUB RESISTANCE 3KW 230V	1
15	907343_A	TOO-FULL PIPE N1300 2014	1
16	907348_A	CHARGING PIPE 90° 1500MM S 800 HW	1
17	907447_A	DRAIN PIPE φ24 2000MM	1
18	908677_A	WASH COL. BRACKET LP57-LP67-LP109	2
19	908712_B	LOWER INLET SLEEVE N1000-N1300	2
20	908713_A	INLET SLEEVE N1300 V.T./LP57	1
21	908748	WASH COL. LP57 HIGH PPH	1
22	959785_A	SURFACE FILTER CENTRAL HOLE	1
23	TR2434_A	SEMI-CLOSED NO-RETURN VALVE	1
24	TR3329_A	PUMP 1.35KW 400/3/50 PRE-WASH T RH	1

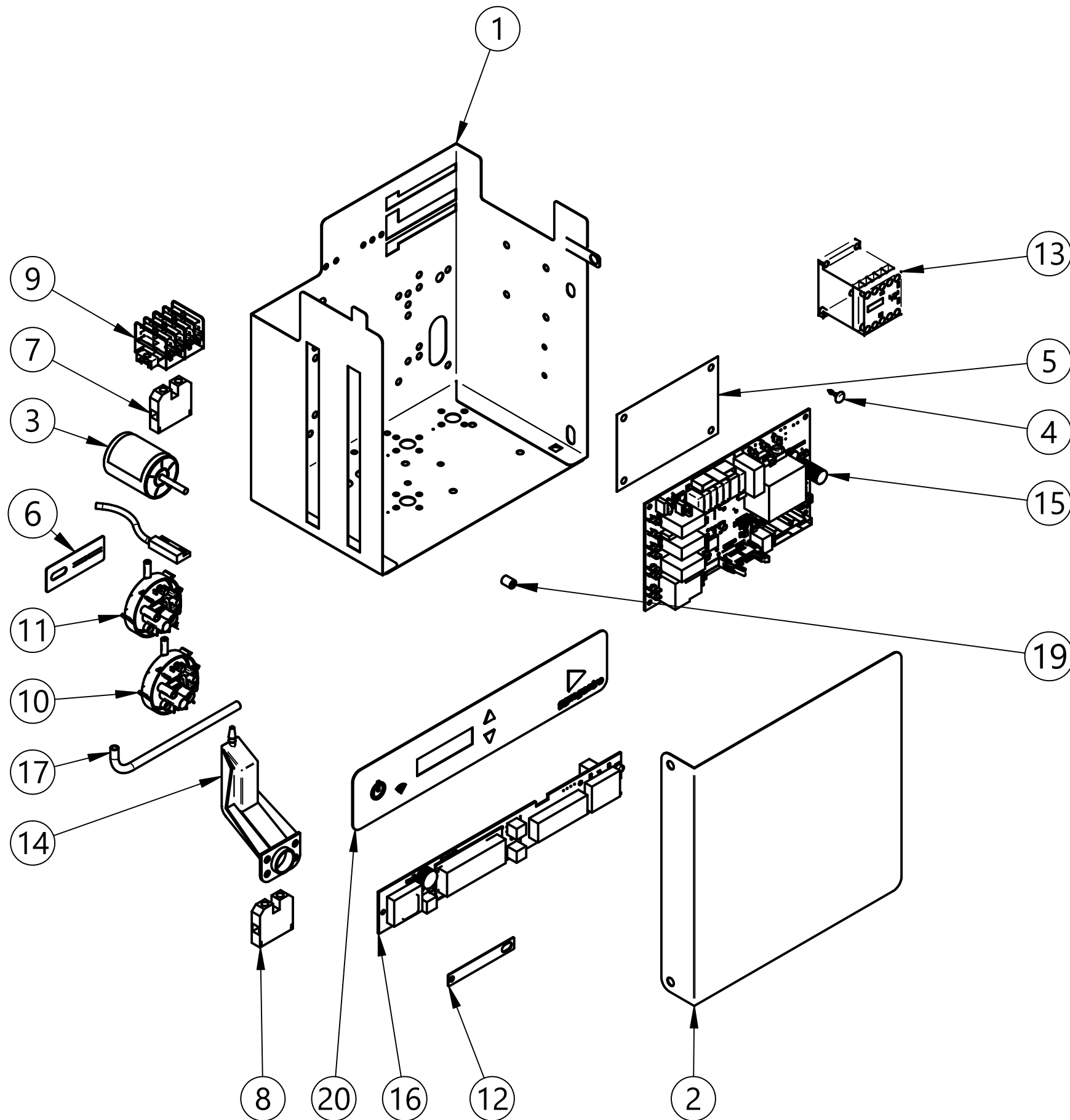
SPRAY ARMS



Item number	Code	Description	Quantity
1	903028.2141	RINSING SPRAY ARM INOX 4 2013	2
2	903045_A	WASHING SPRAY ARM N1300 WITH REAR PRESSURE PORT+HUB	2
3	904753_A	UPPER WASHING PIN N1300 T.N.	2

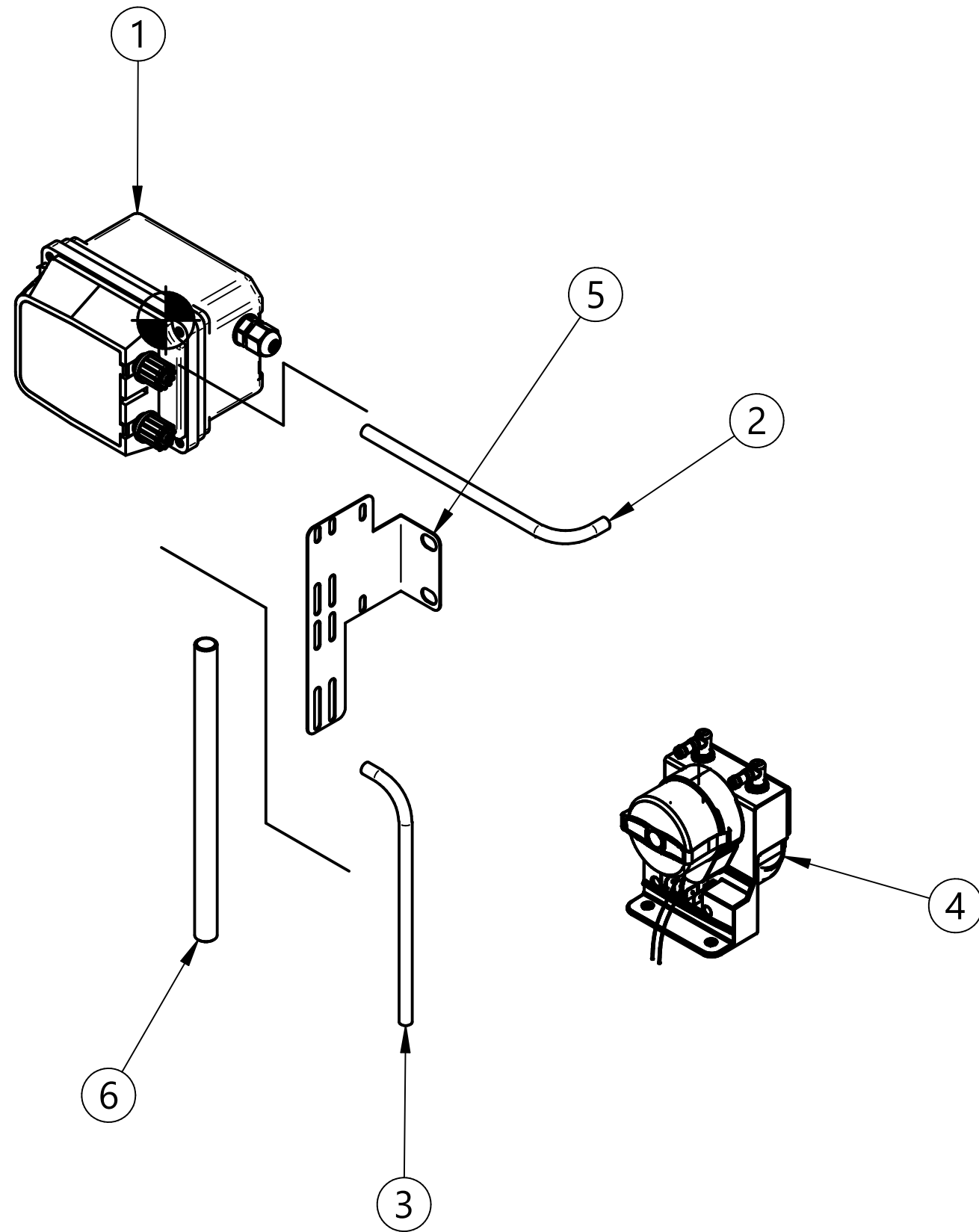


ELECTRONICS



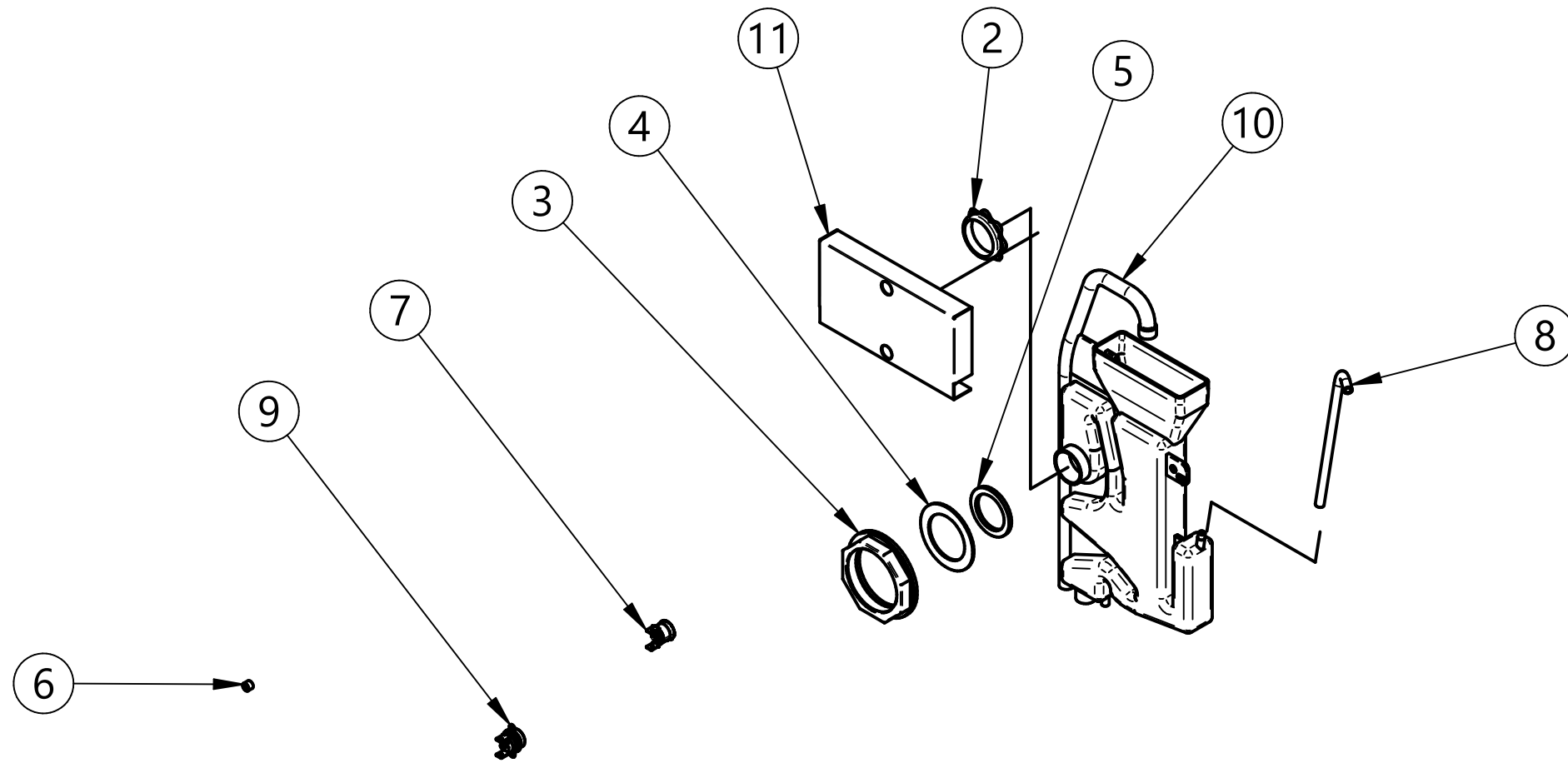
Item number	Code	Description	Quantity
1	901446 _E	UNIFIED ELECTRIC BOX CAPOT	1
2	901447_B	COVER FOR ELECTRIC BOX	1
3	902107_A	THREE-PHASES ANTI-NOISE FILTER	1
4	902193_A	ELECTRONIC TIMER SPACER	4
5	902302_A	BASE BOARD INSULATOR EVO2/3 ELCA 200X100	1
6	902919	SUPP. FOR REED CAPOT SLIM	1
7	903374_A	PASS-THROUGH CLAMP CBC.16/GR	5
8	903376_A	GOUND CLAMP TEC.16/0	1
9	904167_A	4-POLES SHOULDERED CLAMP	1
10	905276_A	PRESSOSTAT 30/160 N1300/LP/LPN	1
11	905283_A	PRESSOSTAT 65/10	1
12	906994_C	PRESSOSTAT SUPP. INVENSIS-BITRON	2
13	907190	SWITCHER 9A 230V WITH LOVATO ACTUATOR	4
14	907254	AIR TRAP N45-N50-N90-N1000-N1300	1
15	907398_A	BASE BOARD EVO2/3 ELCA 12 RELAYS	1
16	907401_A	FRONT BOARD EVO3 12 RELAYS	1
17	907455_A	PRESSOSTAT PIPE 5X8 PVC BLACK	1
18*	909105_A	MAGNETIC REED N1000-N1300	1
19	909366_A	FRONT BOARD SPACER H=10MM	6
20	909609_A	PLATE CAPOTE-LP EVO3 BLACK GGM	1

DISPENSER



Item number	Code	Description	Quantity
4	902053_A	PERIST. SOAP DISPENSER SEKO NO REG.	1
1	902095_A	PERIST. RINSE DISPENSER SEKO SENZA REG.	1
2	907278_A	CRYSTAL RED PIPE 4X6	1
3	907279_A	SILICONE PIPE 4X7	1
6	907456_A	INOX WEIGHT 190 mm RINSE/SOAP PIPE	2
5	952820_A	DOUBLE DISPENSER SUPPORT	1

BREAK TANK



Item Number	Code	Description	Quantity
1	900436_A	BOILER HY-NRG + RES.10KW 2015	1
2	902091_A	AIR GAP RING	1
3	902112_A	RING 2"	1
4	903325_A	BREAK TANK JOINT SEALER	2
5	903393_A	AIR GAP SEALER 43X32X3 (CAP 1")	1
6	905485_A	REGULATOR GROUP 5.5 LT. DARK BROWN	1
7	907243_A	SAFETY THERMOSTAT 95° PAD	1
8	907279_A	SILICONE PIPE 4X7	1
9	907297_A	SAFETY THERMOSTAT 110° PAD	1
10	907313_A	AIR GAP	1
11	908558	INTERNAL COVER BT PLASTIC	1
12	TR0342_A	BOILER/TUB RESIST. 10KW 230V +OR	1

