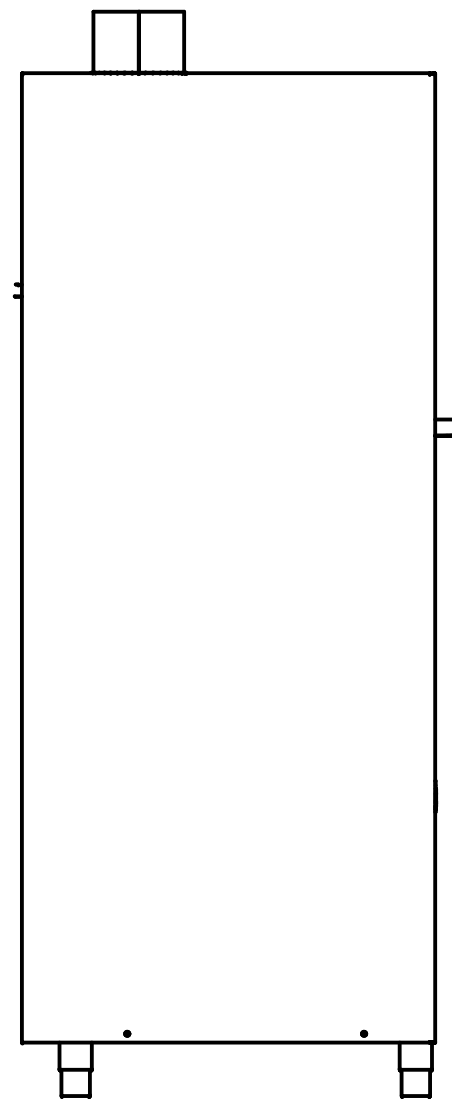
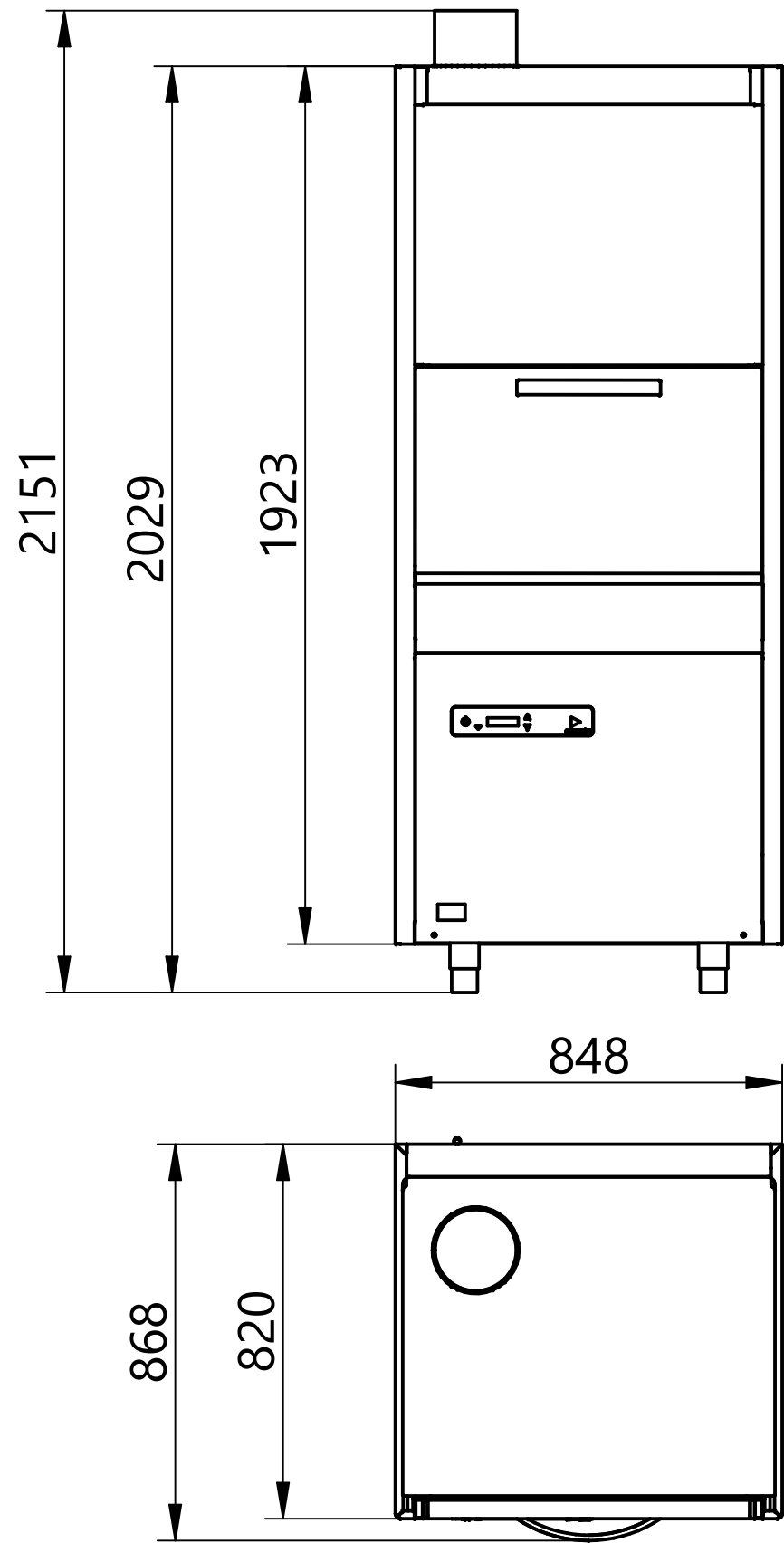


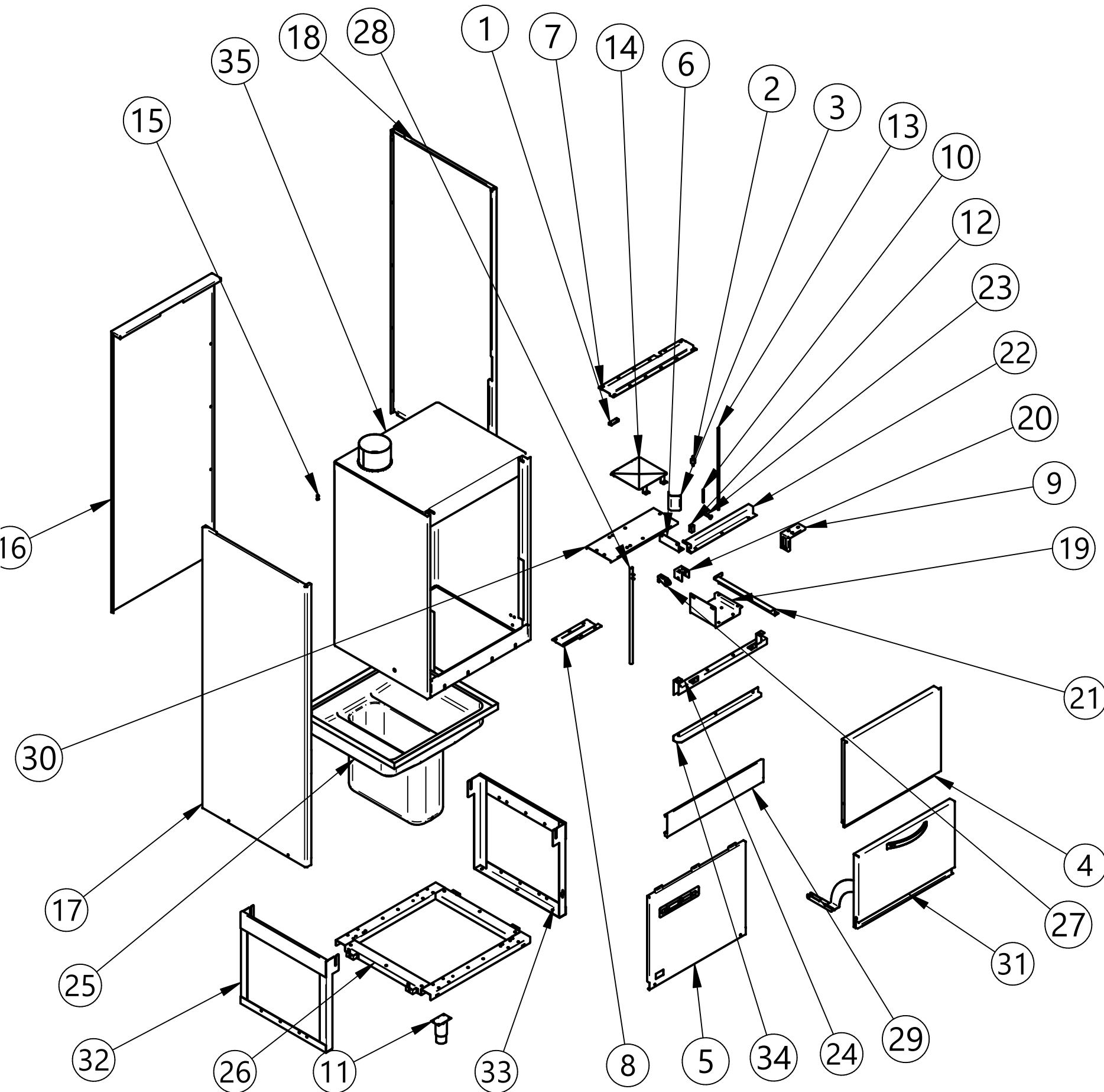
# EXV085 - Exploded View - GGM - LP67



Chapter	Description	Page
1	CABINET AND PANELS	2
2	WASHING SYSTEM	3
3	SPRAY ARMS	4
4	ELECTRONICS DIGIT3	5
5	DISPENSER	6
6	BREAK TANK	7

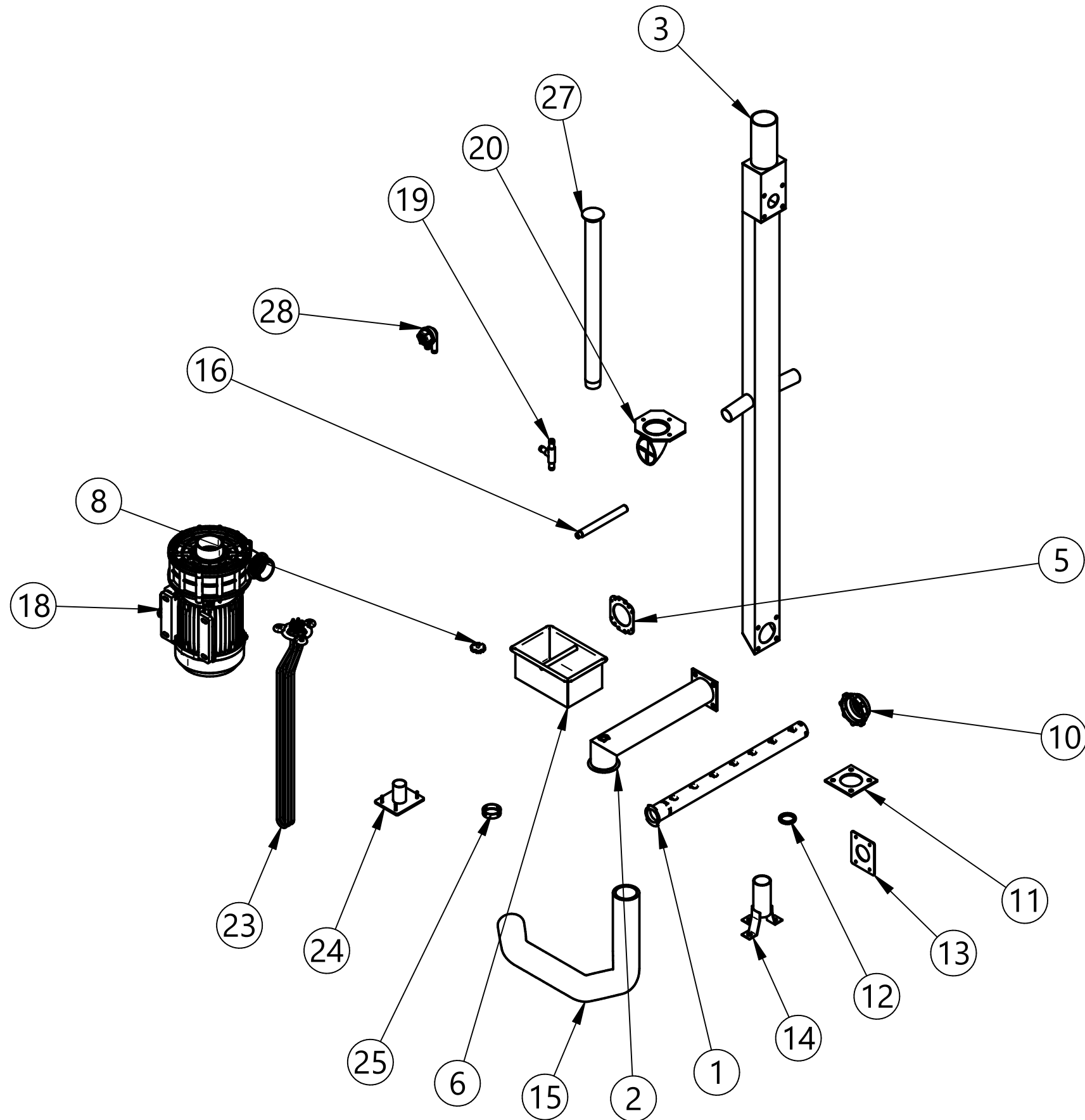


# CABINET & PANELS



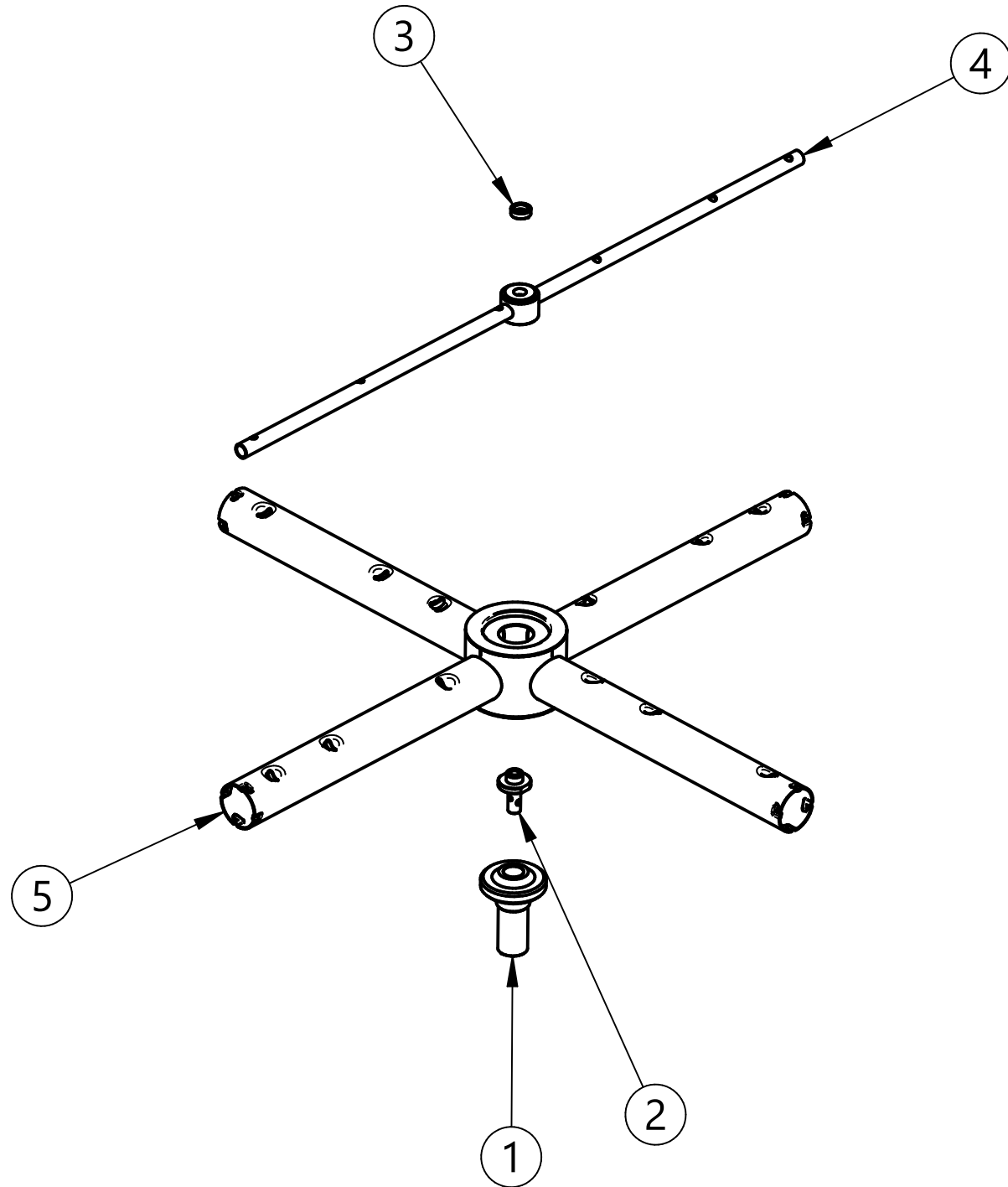
Item number	Code	Description	Quantity
1	903651_A	MAGNET + FRONTAL COVER	1
2	905017_A	ANTI-VIBRATION 30x20	8
3	908736_A	BRACKET FOR BASKET ENTRANCE LP67 LP109	2
4	950743_A	UPPER DOOR LP N67 STAMP.h-850mm	1
5	952049	COMMAND PANEL LP67 EVO3	1
6	955650_A	BRACKET BASEMENT-TUB LPN67/LPN109	1
7	955778_A	SIDE BRACKET FOR TUB LPN67	2
8	955783_A	BACK RH SIDE BRACKET FOR TUB LP67 LP109	2
9	955784_A	BASKETS GUIDE SUPP. LPN	2
10	956054_A	SPRING REGULATION PIN T-LPN	2
11	TR0861	FOOT 1½"	4
12	TR0931_A	DOOR TIGHTENING BLOCK LP67	4
13	TR0943_A	DOOR TIGHTENING LP67 H 860	2
14	TR0948_A	SPALHS-GUARD FOR VAPOR DISCHARGE LP 67	1
15	TR0995_A	COVER FOR DOOR MICRO LPN67/LPN109 W.	1
16	TR1392_A	RH BACK PANEL LP67	1
17	TR1393_A	LH SIDE PANEL LP67	1
18	TR1394_A	RH SIDE PANEL LP67	1
19	TR1434_A	SUPP. PLATE FOR PUMP HI-PRESS. LP67 B	2
20	TR2008_A	BRACKET FOR DOOR SPRING	2
21	TR2181_A	LH SPLASH-GUARD LP67-109 H=850MM	1
22	TR2219_A	RH SPLASH-GUARD LP67 H=860	1
23	TR2446_A	PIN FOR DOOR LP67-109	2
24	TR3377_A	SPRING SUIPP. BEAM LP67	1
25	TR3600_A	TUB LPN67	1
26	TR3630_A	BASEMENT LPN109	1
27	TR3632_A	HINGE LP67 -109	2
28	TR3634_A	BASKET-HOLDER GUIDE LPN67	2
29	TR3636_A	FRONT PANEL LP67	1
30	TR3641_A	PLATE SUPP. FOR PUMP LP67	1
31	TR3642_A	LOWER DOOR LPN67 COMPL.	1
32	TR3649_A	TUB RH SUPPORT LPN67	1
33	TR3650_A	TUB LH SUPPORT LPN67	1
34	TR3653_A	SPLASH-GUARD LP67	1
35	TR3952_A	HOOD LP67B H850 COMPL.	1

# WASHING SYSTEM



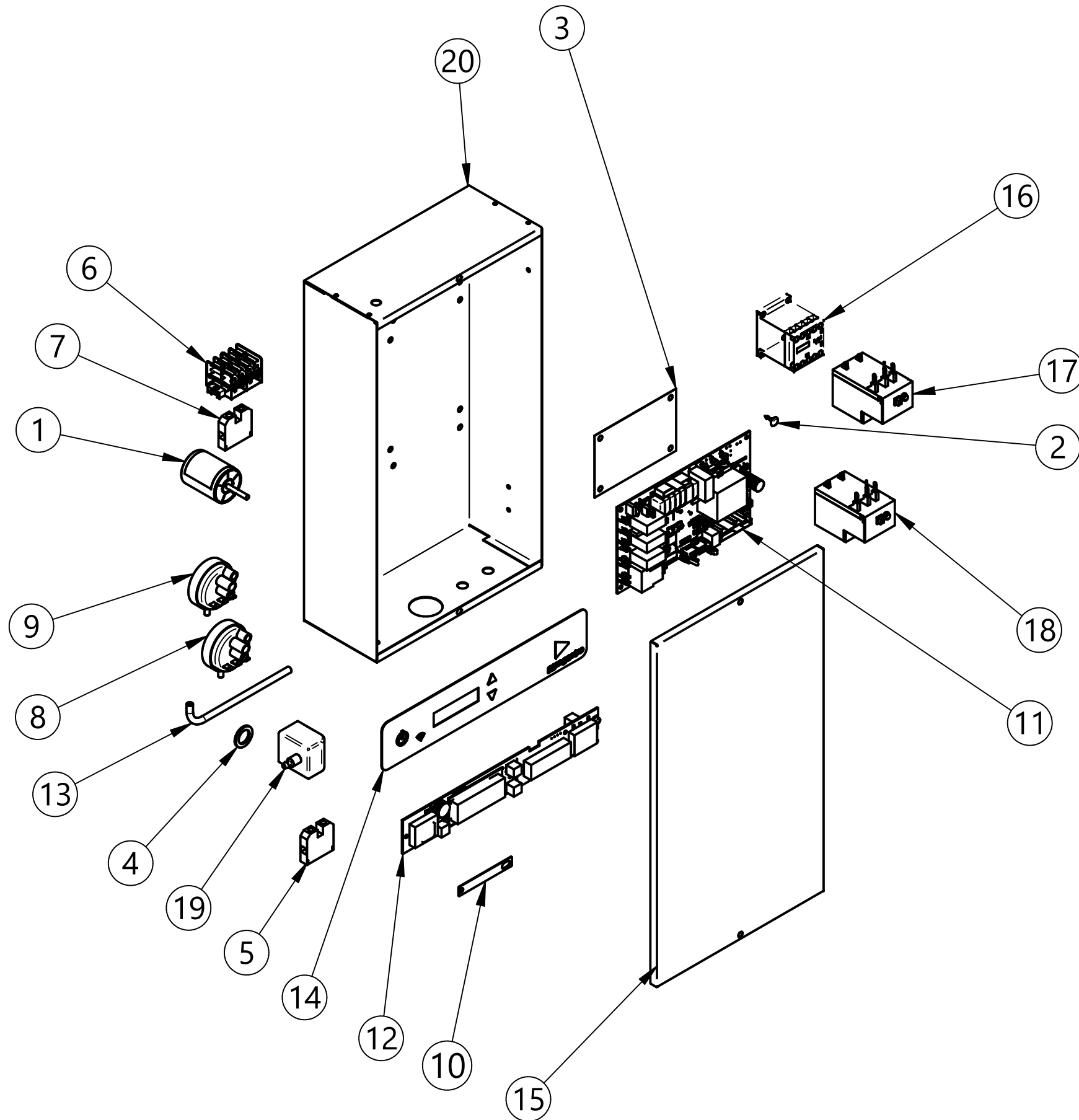
Item number	Code	Description	Quantity
1	TR3513_A	SIDE WASH ARM LPN67/LPN109	2
2	908732_A	COMPLETE WASH ARM	2
3	TR2266_A	WASH COLUMN LP67 H	1
5	TR2091_A	COUNTERFLOW FOR T-N WASH PIPE FIXING	2
6	906704_A	DRAWER FILTER ASSEMBLY N1300-LP67-LP109	1
8	902880_A	IMPER LOCKING RING	2
10	902061_A	MOPLEN RING 1/2" GAS BULB HOLDER	1
11	903381_A	WASH COLUMN GASKET	4
12	903404_A	STAINLESS STEEL T-N WASH ARM GASKET	4
13	TR3571_A	SIDE ARM FLANGE GASKET LPN67/LPN109	2
14	TR0464_A	STAINLESS STEEL OVERFLOW GUIDE T-N-LP	1
15	TR1571_A	OUTLET SLEEVE SIDE ARM LP109	2
16	908735_A	WASHER PIN LPN67/LPN109	2
18	TR3330_A	PUMP 2,6KW 400/3/50 LPN67-N	1
19	905382_A	3-WAY CONNECTOR	1
20	TR0977_A	90° INTAKE CONNECTOR FOR TANK	1
23	TR0341_A	TANK HEATER 9KW 230V +0R	1
24	TR3647_A	SIDE WASH ARM SUPPORT LPN	2
25	TR3230_A	WASH ARM CAP STAINLESS STEEL T-N	10
27	TR0939_A	OVERFLOW 480MM T STAINLESS STEEL	1
28	TR2434_A	HALF-CLOSED NON-RETURN VALVE	1

# SPRAY ARMS



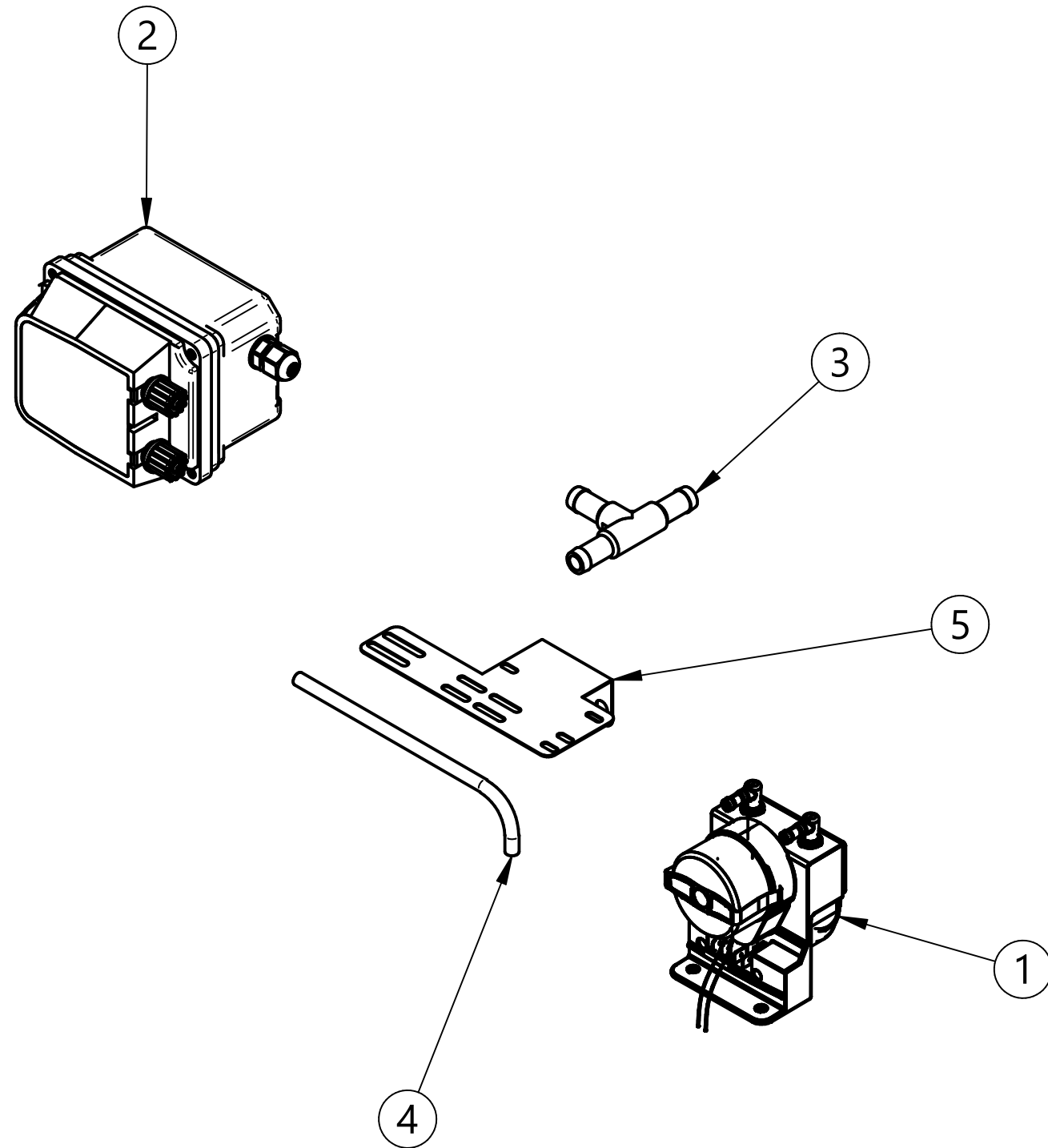
Item number	Code	Description	Quantity
1	904281_A	MOZZO X GIRANTE LAVAGGIO	2
2	904762_A	PERNO INOX PER GIRANTE LP67	2
3	906453_A	TAPPO GIRANTE RISCIAQUO INOX	1
4	TR0960_A	GIRANTE RISC. LPN67	2
5	TR0993_A	WASHING SPRAY ARM LPN109	2

# ELECTRONICS



Item number	Code	Description	Quantity
1	902107_A	THREE-PHASES ANTI-NOISE FILTER	1
2	902193_A	ELECTRIC TIMER SPACER	4
3	902302_A	BASE BOARD INSULATOR EVO2/3 ELCA 200X100	1
4	903260_A	SEALER 3/8 AIR TRAP	1
5	903376_A	GROUND CLAMP TEC.16/0	1
6	904167_A	4-POLES CLAMP W. SHOULDER	2
7	904200_A	CLAMP 12P M	1
8	905200_A	PRESSOSTAT 70/197	1
9	905275_A	PRESSOSTAT 35-90	1
10	906994_C	PRESSOSTAT SUPP. INVENSIS-BITRON	2
11	907398_A	BASE BOARD EVO2/3 ELCA 12 RELAYS	1
12	907401_A	FRONT BOARD EVO3 12 ELCA RELAYS	1
13	907455_A	PRESSOSTAT PIPE 5X8 PVC BLACK	1
14	909609_A	PLATE EVOLUTION SILANOS	1
15	953142_A	ELECT. BOX COVER LP67	1
16	TR0322_A	SWITCHER 9A 230V 4 LOVATO CONTACTS	5
17	TR0386_A	THERMIC 1/1.6 A LOVATO	1
18	TR0546_A	THERMIC 4/6,5 A LOVATO	1
19	TR0935_A	AIR TRAP INOX 260MM LPN	1
20	TR3953_A	ELECT. BOX LP67 COMPLETE	1

# DISPENSER



Item number	Code	Description	Quantity
1	902053_A	PERISTALTIC SOAP DISPENSER SEKO NO REG.	1
2	902095_A	PERISTALTIC RINSE DISPENSER SEKO NO REG.	1
3	905434_A	3-WAYS JOINT DISPENSER ON PUMP	1
4	907279_A	SILICONE PIPE 4X7	1
5	952820_A	DOUBLE DISPENSER SUPP.	1

# BREAK TANK

Item number	Code	Description	Quantity
1	902364_A	PUMP 0.58KW HI-PRESS. LGB	1
2	902390_A	1-WAY ELECTROVALVE $\phi$ 10	1
3	903701_A	SUCTION SLEEVE E1000/N1000/N1300/TRAINO	2
4	905570_A	BOILER RESIST. 6KW 230V +OR	1
5	907243_A	SAFETY THERMOSTAT 95° PAD	1
6	907347_A	CHARGING PIPE 90° 2000MM S 800 HW	1
7	908794_A	BREAK TANK BE 50	1
8	TR1145_A	BOILER LP67B-LP109B WINT VENT	1

