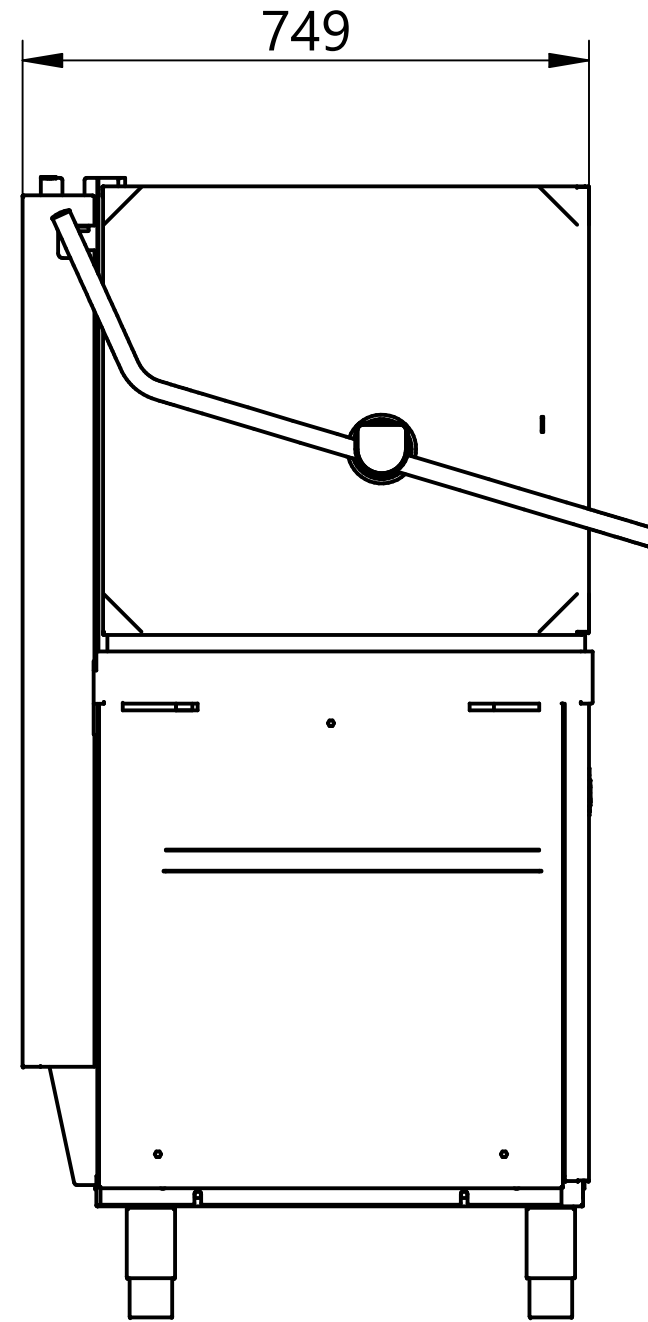
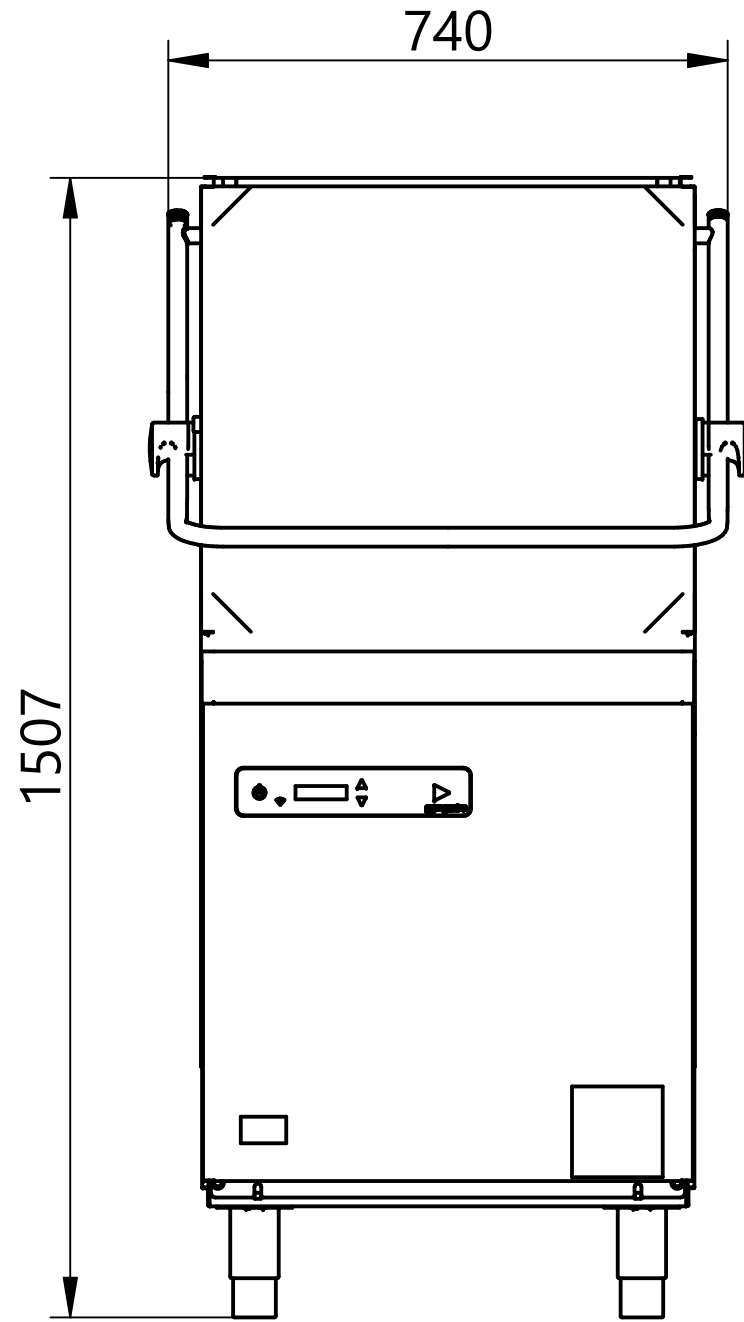


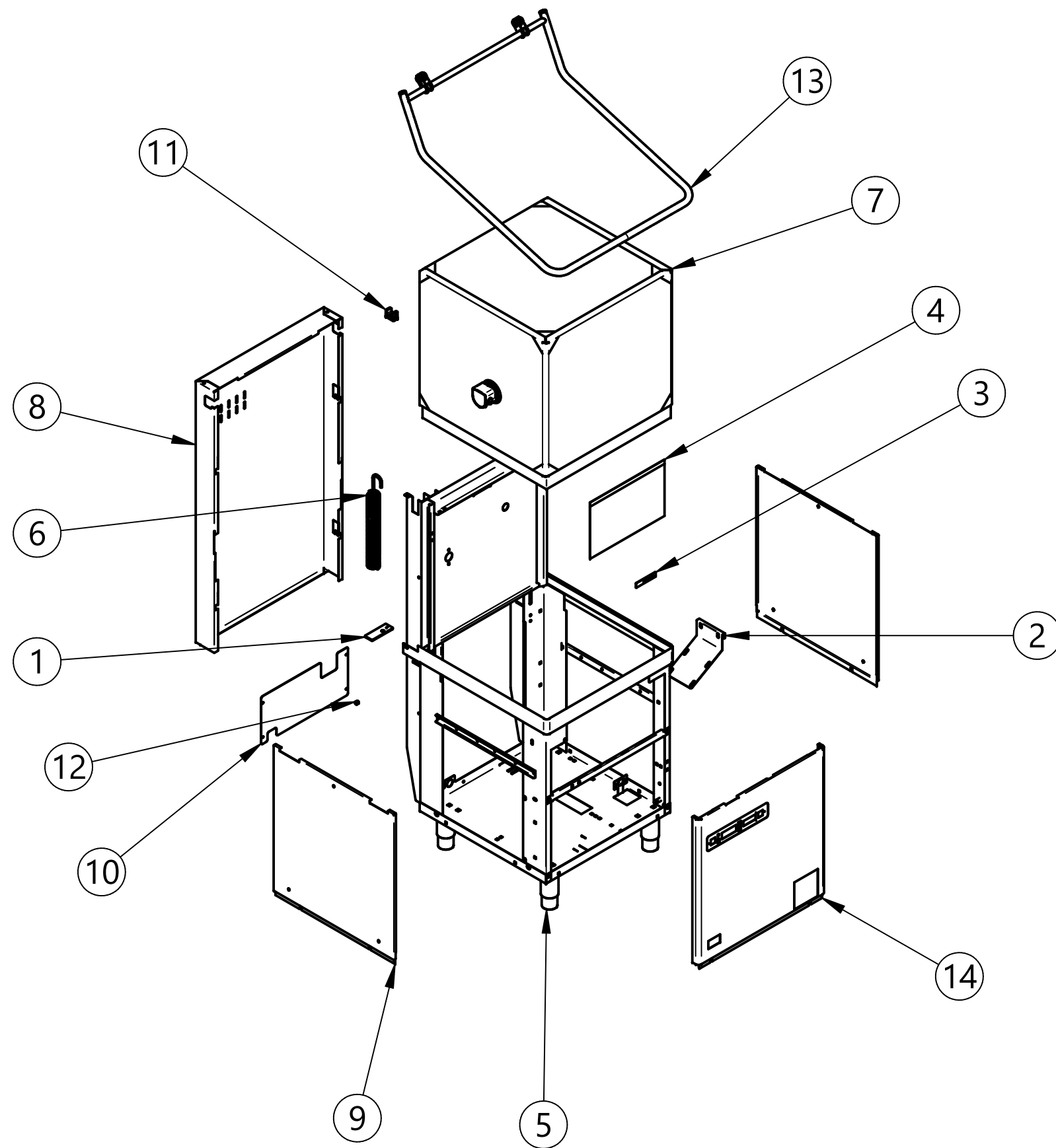
# EXV086 - Exploded View - GGM - N1300



Chapter	Description	Page
1	CABINET AND PANELS	2
2	HOOD	3
3	WASHING SYSTEM	4
4	SPRAY ARMS	5
5	ELECTRONICS	6
6	DISPENSER	7
7	SOFTNER	8
8	DRAIN PUMP	9
9	BOILER	10

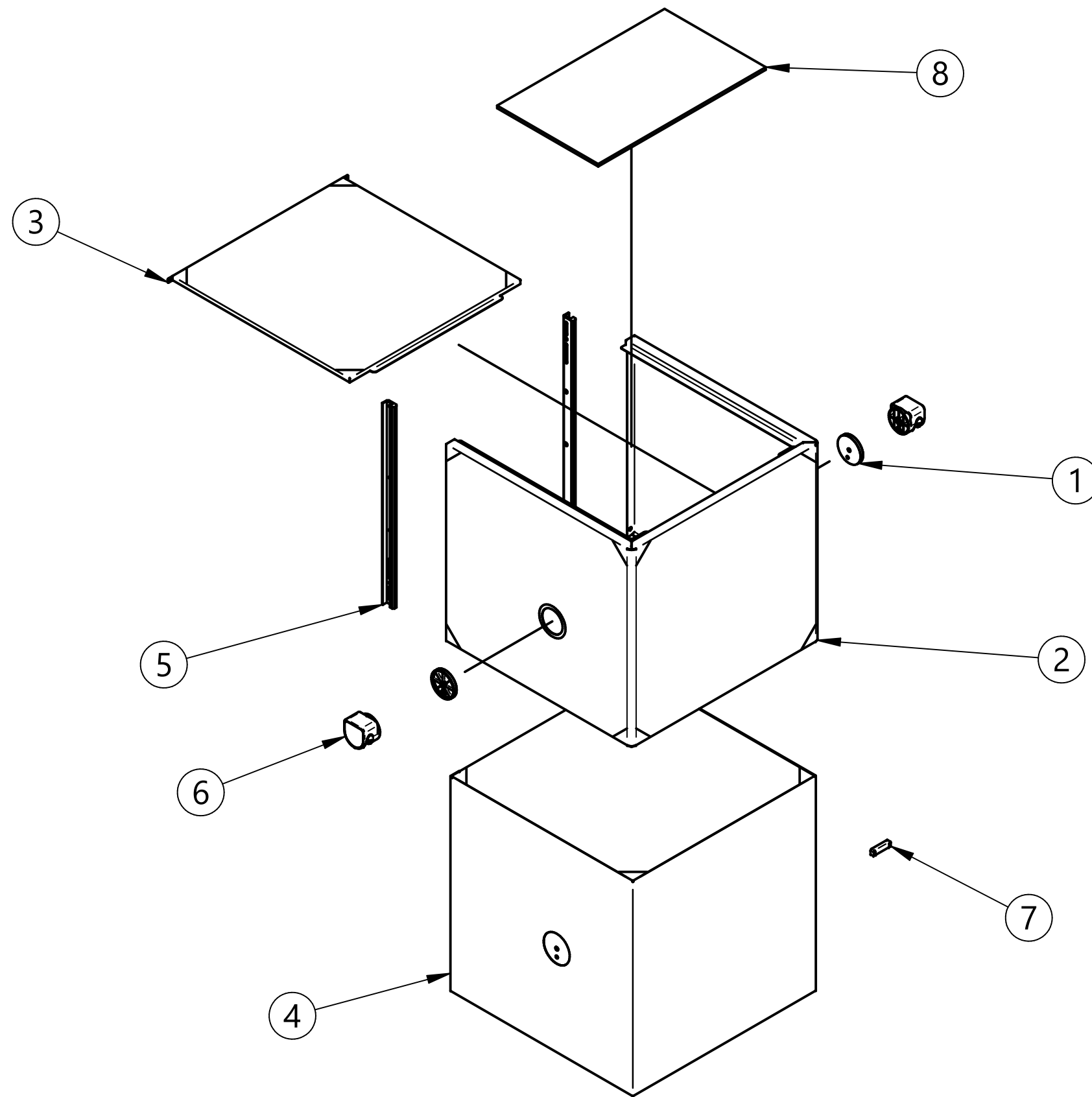


# CABINET & PANELS



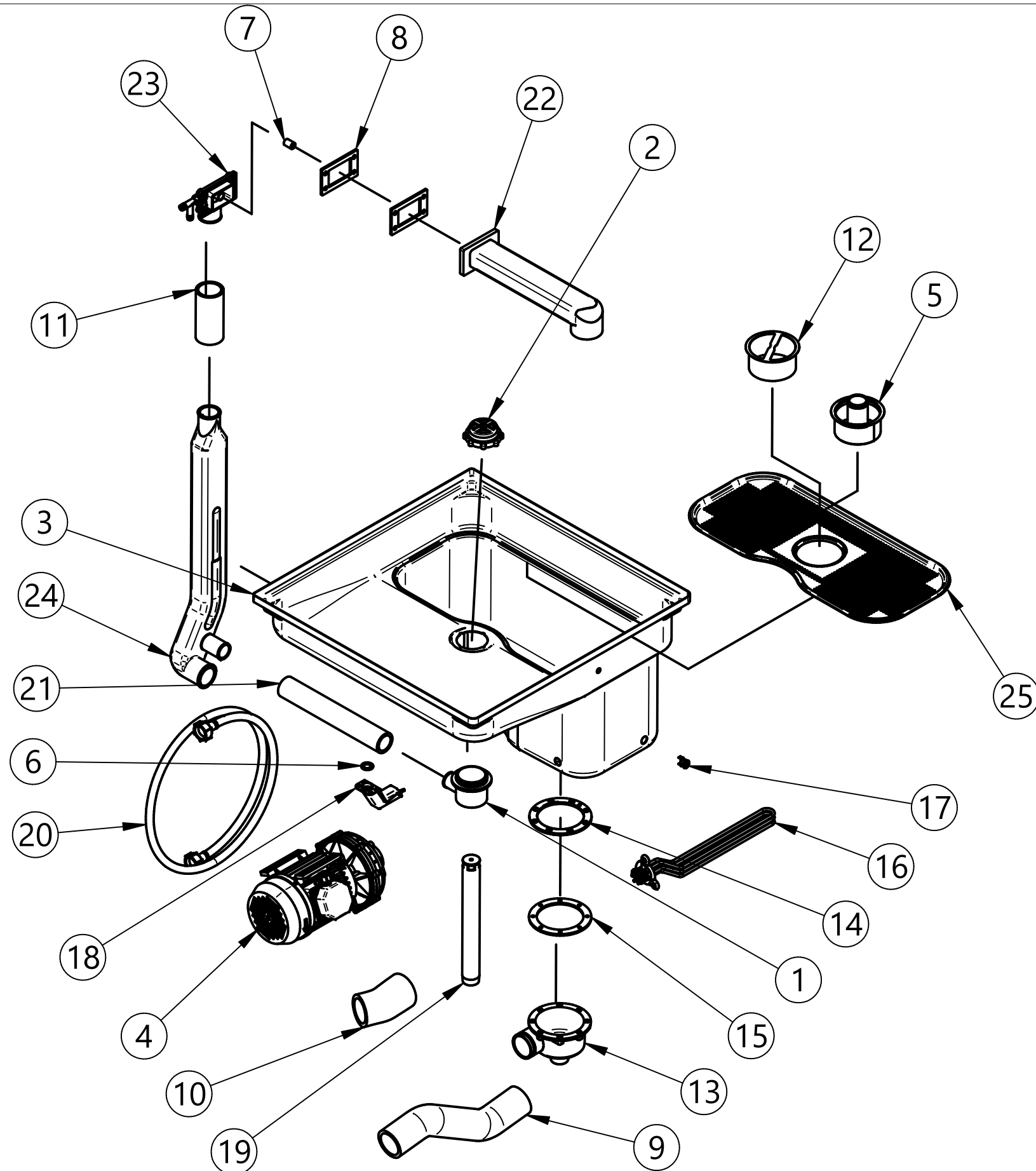
Item number	Code	Description	Quantity
1	902131	SPRING PULLING PLATE N1300 SLIM	2
2	902208	PUMP SUPPORT N1300 ECO FORMED BATH	1
3	902916	STOPPER CAPOT - CAPOT SLIM	2
4	902921	PVC DISPLAY PROTECTION EVO3-DIGIT3	1
5	903430_A	PRE-ASSEMBLED KIT N1300	1
6	904137	LIFTING SPRING CAPOT E1000-N1000-N1300	2
7	905973.3025_A	CAPOTE SLIM GROUP MOD. N GGM	1
8	906324_B	BACK PANEL CAPOTE 2023	1
9	908652_A	SIDE PANEL FOR BATH VASCA	2
10	908670	LOWER BACK PANEL N1000 - N1300 - N1000B - N1300B	1
11	908703_B	HANDLING BUSH	4
12	908726_B	SPACER FOR CAPOT N1000-N1300	2
13	909479_A	STRIGHT HANDLING COMPLETE NE DIAM.25 X SUPP. TONDO	1
14	952010_A	CONTROL PANEL N1000 N1300 EVO3	1

# HOOD



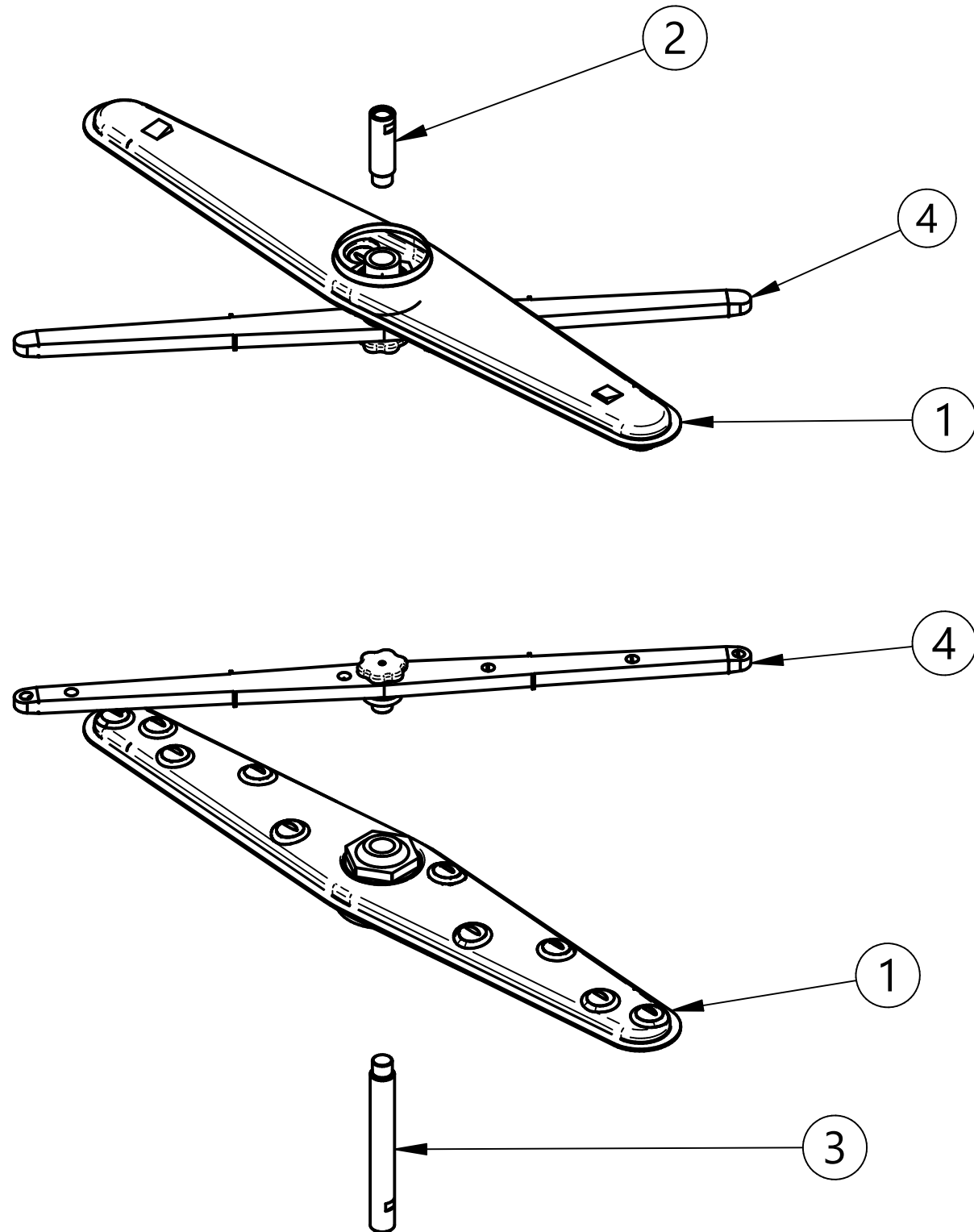
Item number	Code	Description	Quantity
1	901607_A	SPACER FOR HANDLING SUPP. CAPOT	2
2	902186	COIBENTATION STRIP FOR CAPOT SLIM	1
3	902187	COIBENTATION HOOD SLIM	1
4	902898	COMPLETE CAPOT SLIM - ST 21,01	1
5	902915	LH GUIDE CAPOT SLIM	2
6	904832 _A	BLACK SUPP. FOR HANDLING CAPOTE GGM	2
7	908706	MAGNET+COVER CAPOT-LP57	1
8	951512_A	POLIST. SHEET 580X350X8mm	3

# WASHING SYSTEM



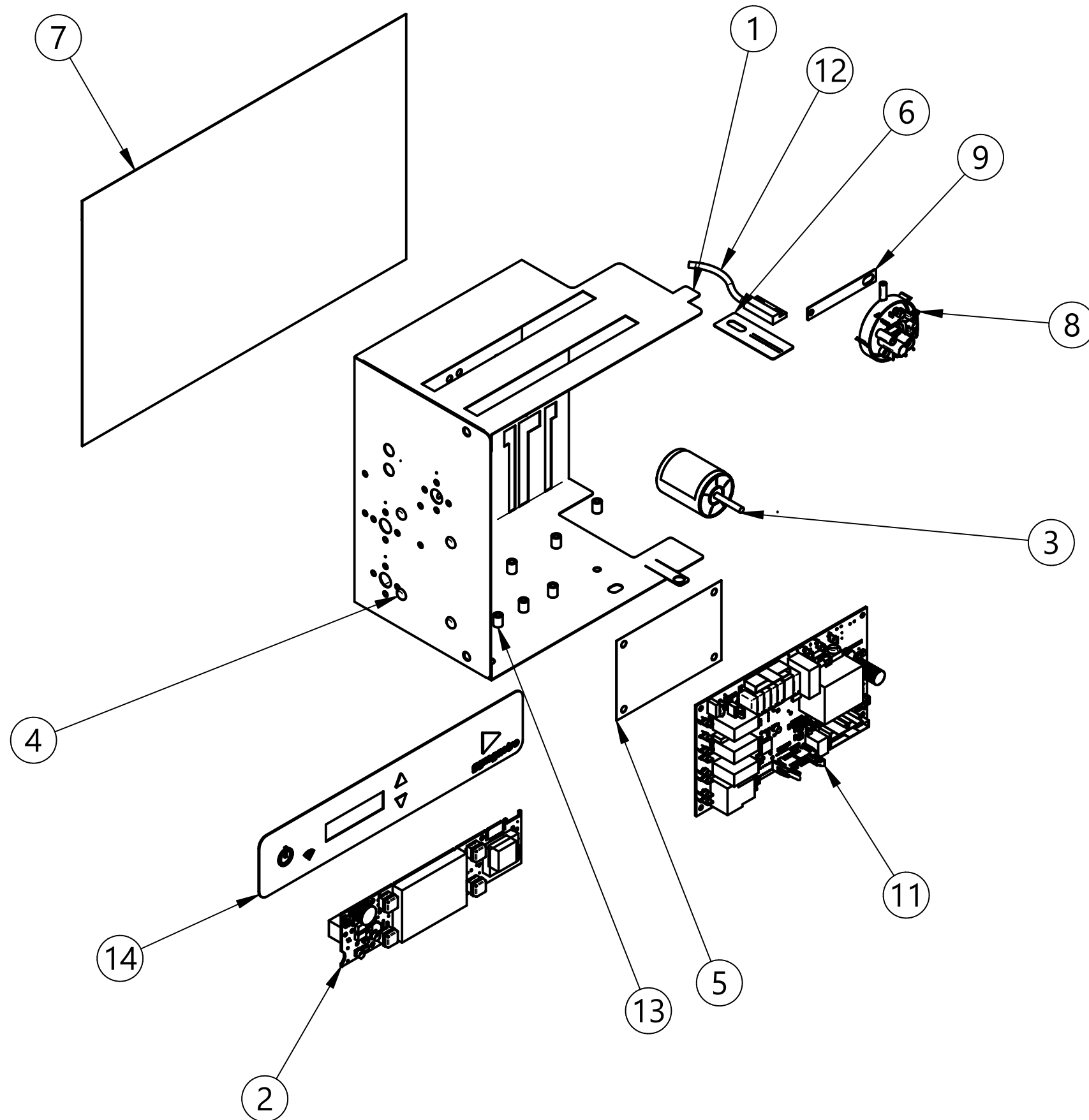
Item number	Code	Description	Quantity
1	900049_A	LOWER WASHING HUB N1300_N1300S	1
2	900050_A	LOWER WASHING HUB MOPLEN RING N1300	1
3	900077	FORMED BATH N1300	1
4	902286_A	PUMP 1.1KW 400/3/50 N1300 RH 2014	1
5	902398_A	FILTER WITH CYLINDER PPL H80MM Ø98MM	1
6	903260_A	SEALER 3/8 AIR TRAP	1
7	903379_A	RINSING ARM CONNECTION SEALER	1
8	903413_B	EXTERNAL SEALER FOR WASHING COLUMN PPH	2
9	903698_A	INLET SLEEVE N1300 2014	1
10	903699_A	SUCTION SLEEVE N1300 2014	1
11	903706_A	DISCHARGE SLEEVE TO HOOD 120mm	1
12	904898	SUM FILTER	1
13	905237_A	ENLARGED SUCTION CHAMBER Ø55	1
14	905238_B	ENLARGED SUCTION CHAMBER FLANGE	1
15	905378_B	SUCTION CHAMBER SEALER NEW TYPE 2013	1
16	905748_A	TUB RESIST. 3KW 230V	1
17	907243_A	SAFETY THERMOSTAT 95°	1
18	907254	AIR TRAP N45-N50-N90-N1000-N1300	1
19	907343_A	TOO-FULL PIPE N1300	1
20	907347_A	DISCHARGE PIPE 90° 2000MM S 800 HW	1
21	908712_B	LOWER DISCHARGE SLEEVE N1000-N1300	1
22	908744	WASHING/RINSING ARM N1300-NE1300	1
23	908745_A	ARM CONNECTION PPH	1
24	908747_A	WASHING COLUMN N1000/N1300/E1000	1
25	959785_A	SUFACE FILTER FOR KIDNEY-SHAPED BATH	1

# SPRAY ARMS



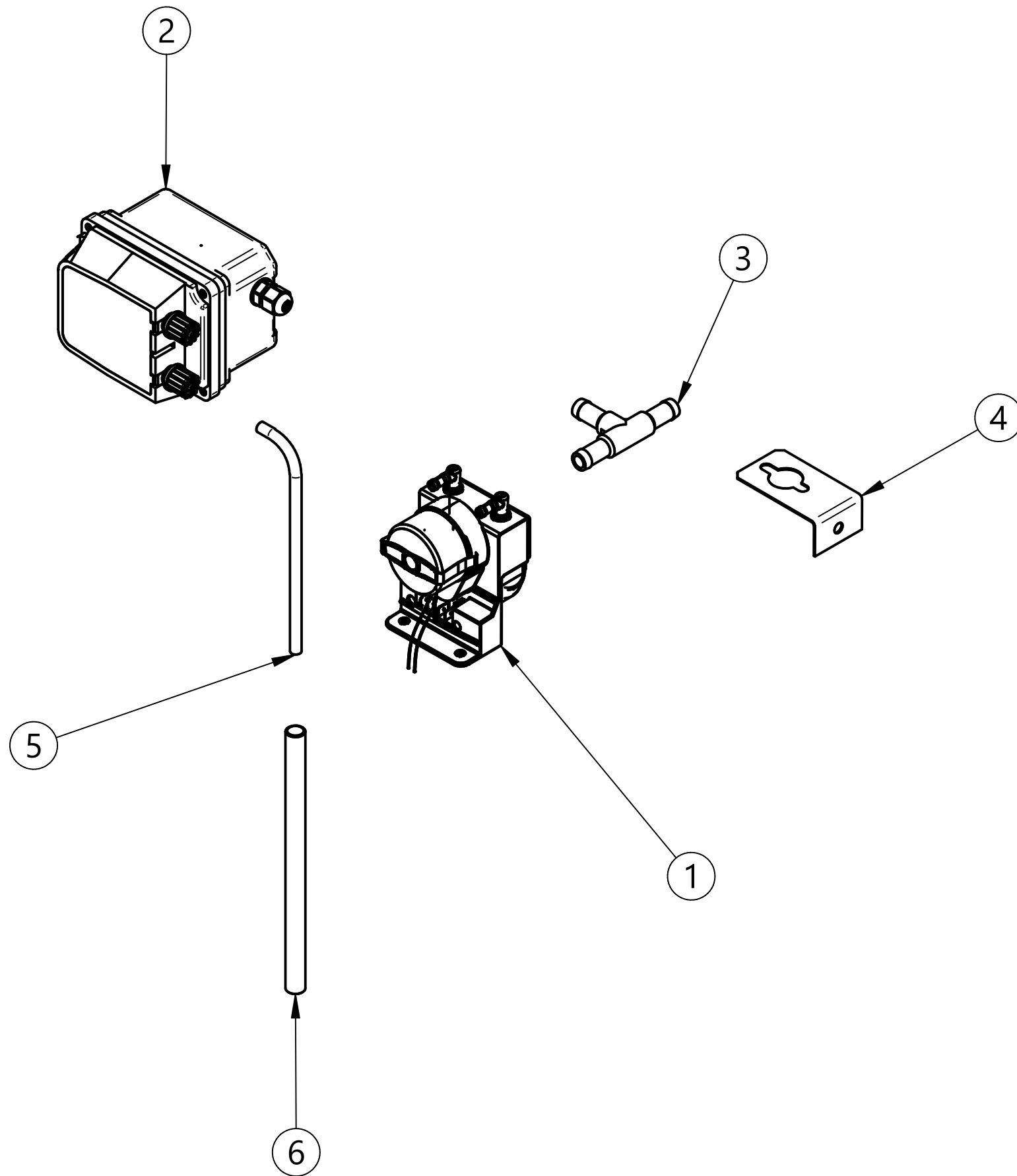
Item number	Code	Description	Quantity
1	903045_A	WASHING SPRAY ARM N1300 WITH REAR PRESSURE PORT+HUB	2
2	904751_A	UPPER WASHING PIN N1300 T.N.	1
3	904753_A	LOWER WASHING PIN N1300	1
4	907958.204	RINSING SPRAY ARM GROUP 4 PPL	2

# ELECTRONICS



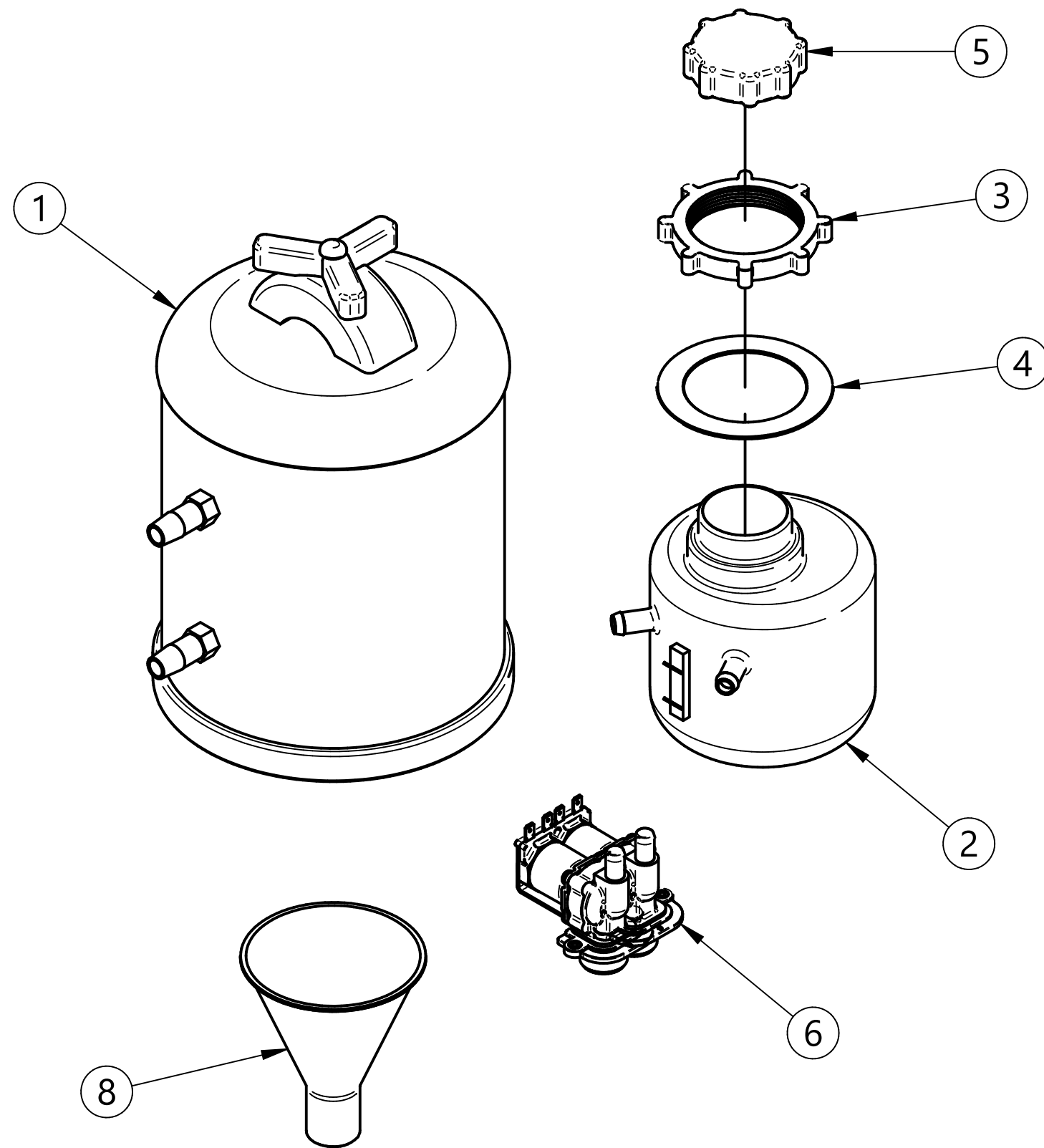
Item number	Code	Description	Quantity
1	901446 _E	UNIFIED CAPOT ELECTRIC BOX	1
2	901914_A	EVO3 ELCA FRONTAL BOARD	1
3	902107_A	THREE-PHASE EMI FILTER	1
4	902193_A	ELECTRONIC TIMER SPACER	4
5	902302_A	BOARD INSULATOR EVO2/3 ELCA 200X100	1
6	902919	REED CAPOT SLIM SUPPORT PLATE	1
7	902921	PVC DISPLAY PROTECTION EVO3-DIGIT3	1
8	905321_A	PRESSOSTAT 30/135 N1300	1
9	906994_C	PRESSOSTAT SUPPORT INVENSIS-BITRON	1
10*	907190_A	CONTACTOR 9A 230V WITH LOVATO ACTUATOR	4
11	907304_A	BASE BOARD EVO2/3 ELCA 7 RELAYS	1
12	909105_A	MAGNETIC REED N1000-N1300	1
13	909366_A	FRONTAL BOARD SPACER H=10MM	6
14	909609_A	CAPOT-LP EVO3 BLACK NEUTRAL GGM PLATE	1

# DISPENSER



Item number	Code	Description	Quantity
1	902053_A	PERIST. SEKO SOAP DISPENSER NO ADJ.	1
2	902095_A	PERIST. SEKO NO ADJ. RINSING DISPENSER	1
3	905434_A	3 WAYS DISPENSER CONNECTOR ON PUMP	1
4	906375_A	SUPP. FOR RINSE DISPENSER SEKO - GERMAC	1
5	907279_A	SILICON HOSE 4X7	1
6	907456_A	INOX WEIGHT 190 mm SOAP/RINSING HOSE	2

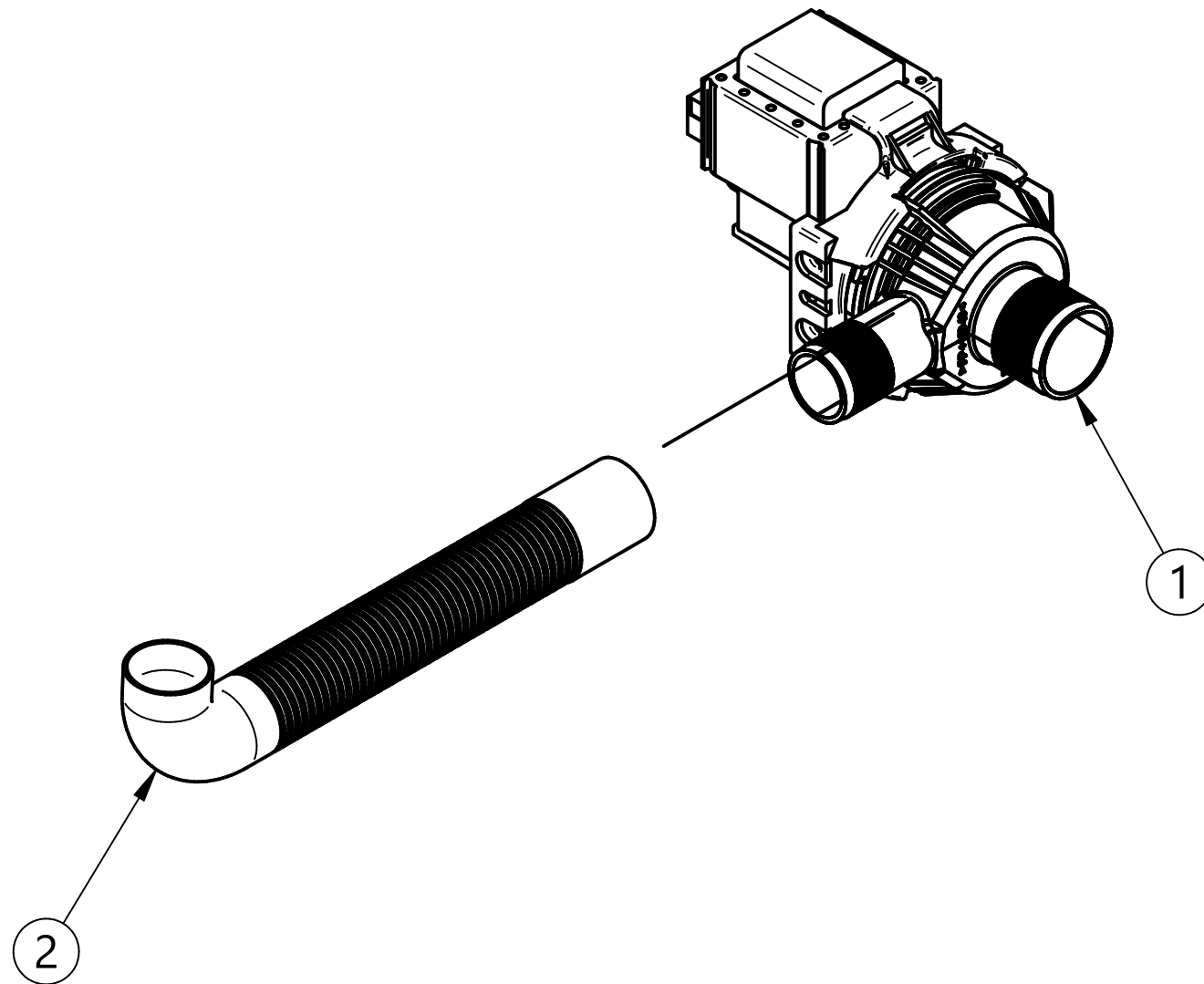
# SOFTENER



Item Number	Code	Description	Quantity
1	150801_A	WATER SOFTENER DVA LT 5	1
2	901794_A	SALT CONTAINER WITH SENSOR	1
3	902830_A	SALT CONTAINER RING	1
4	903340_A	SALT CONTAINER SEAL	1
5	906418_A	SALT CONTAINER CAP	1
6	902401_A	2-WAYS Ø10 ELECTROVALVE WITH RED REDUCER	1
8	901897_A	SALT FUNNEL	1

# DRAIN PUMP

Item number	Code	Description	Quantity
1	903270_A	DRAIN PUMP 220V 50HZ 36W Type P60	1
2	907439_A	DRAIN PIPE $\phi$ 19 90° 2000MM PS	1



# BOILER

Item number	Code	Description	Quantity
1	900378_A	BOILER N45-N50-N1000-N1300-NE 7LT. +RES.6KW $\phi$ 150	1
2	902390_A	ELETTROV. 1 WAY $\phi$ 10	1
3	904075_A	BRASS SLAT	2
4	905570_A	BOILER RESIST. 6KW 230V +OR	1
5	907297_A	THERMOSTAT SICUR. 110° PAD	1

