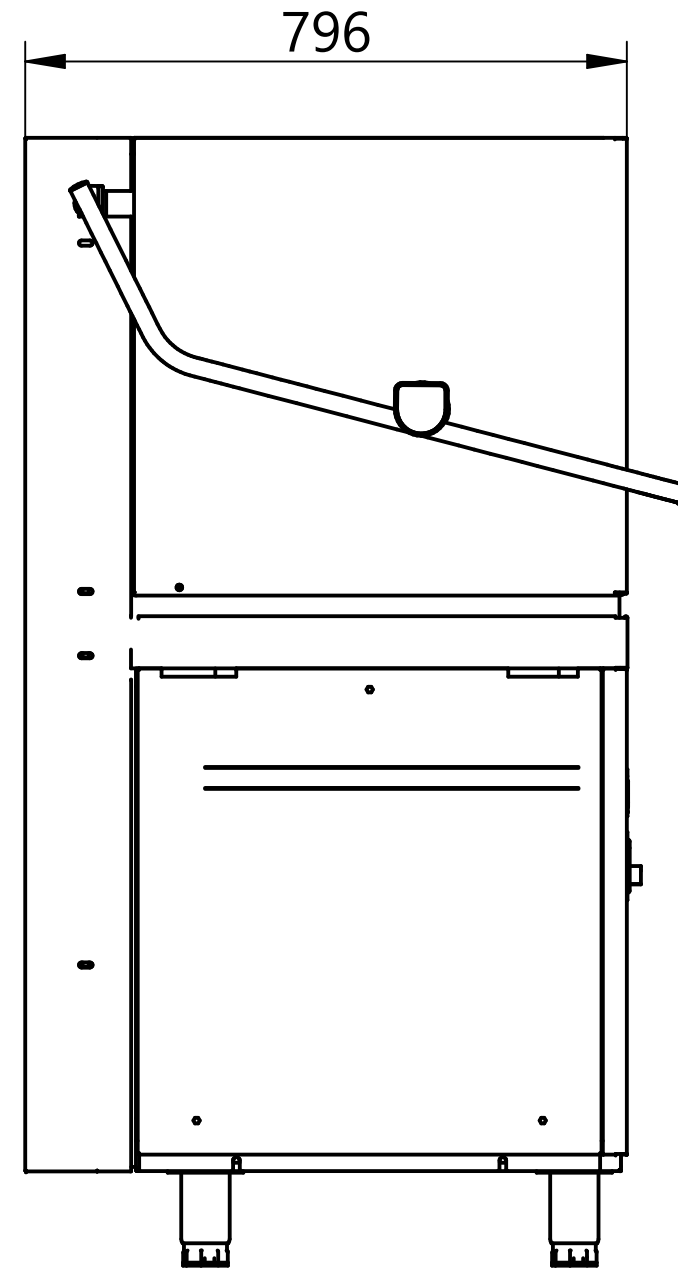
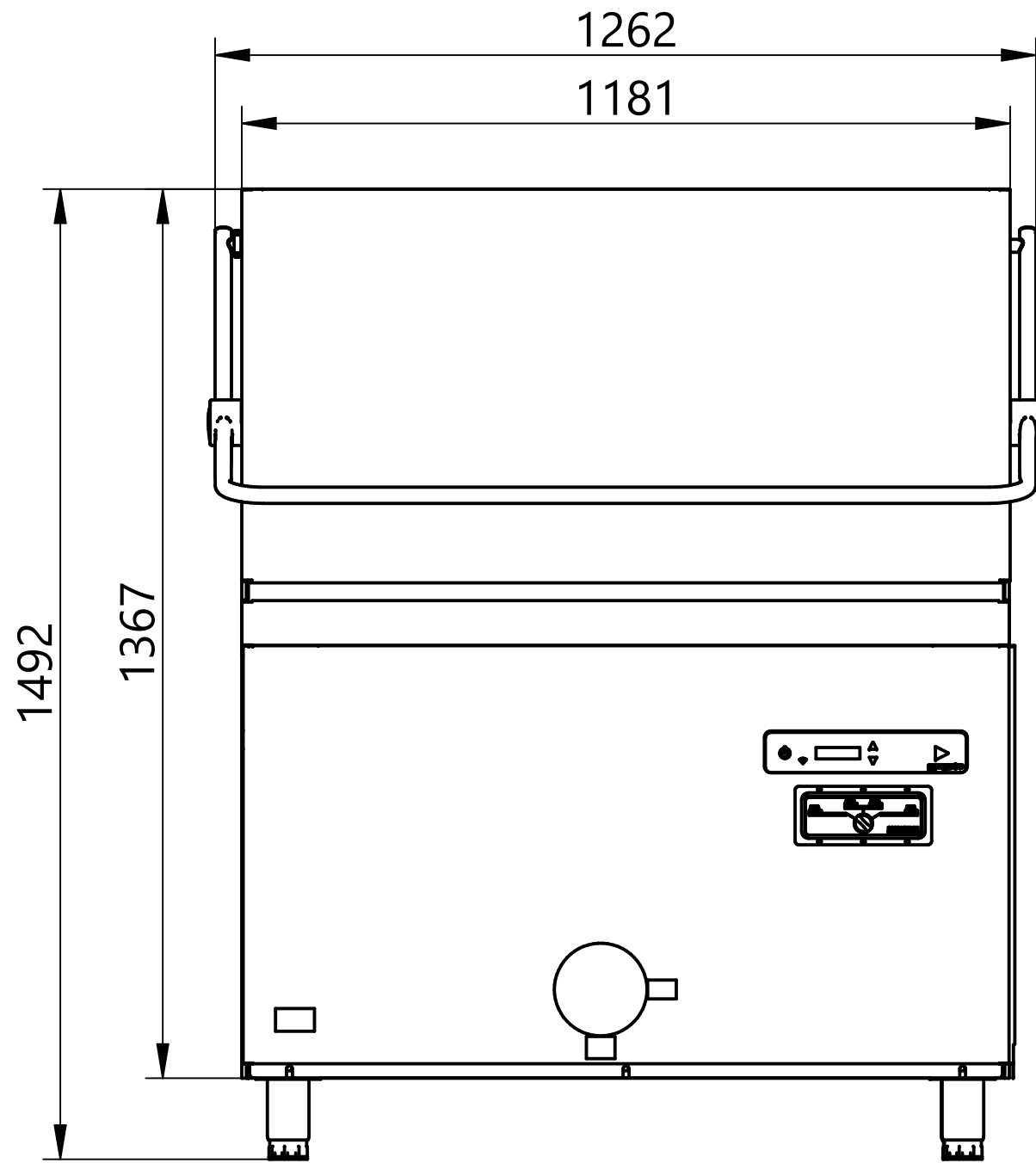


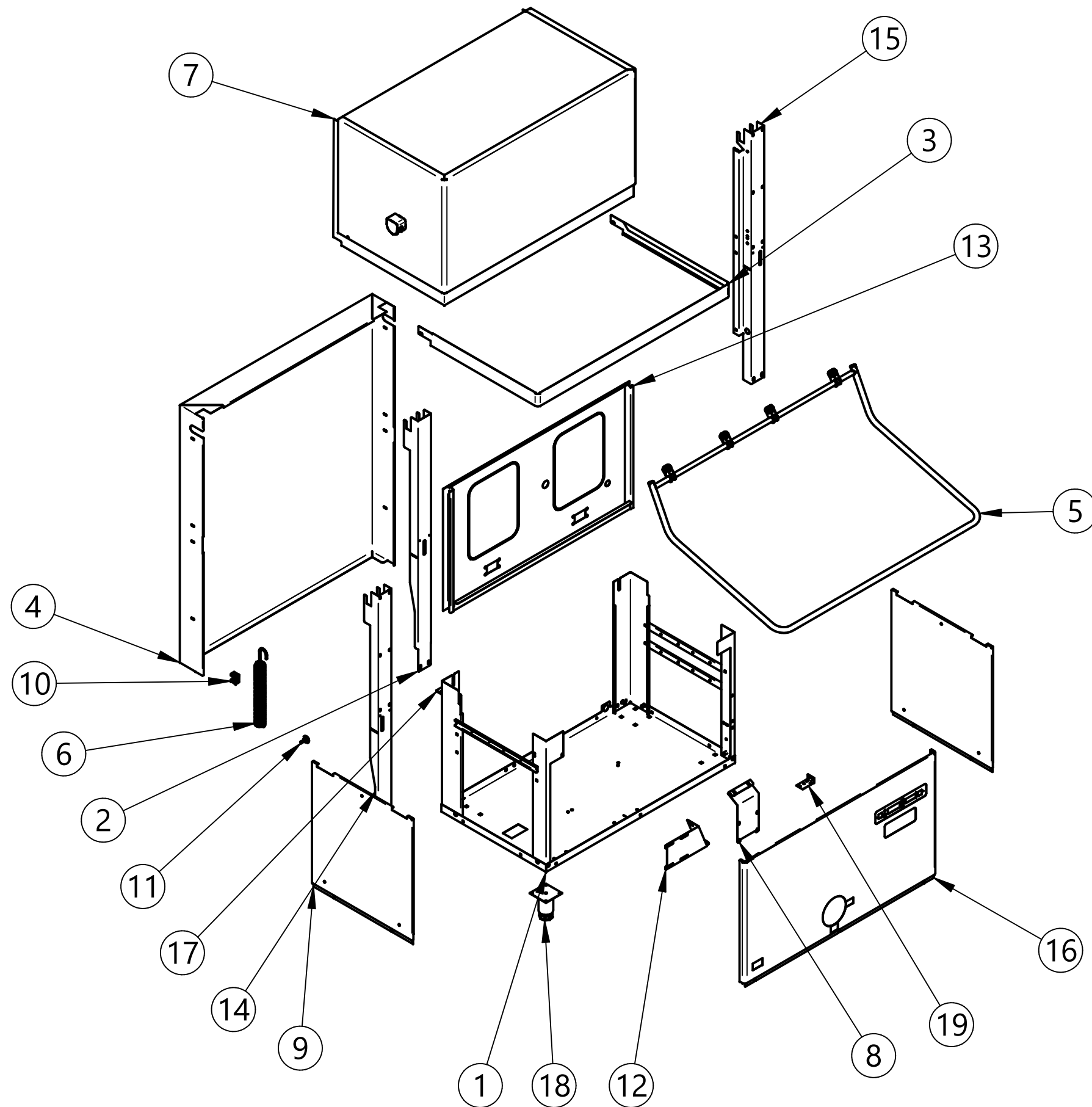
# EXV087 - Exploded View - GGM - 201887



Chapter	Description	Page
1	CABINET AND PANELS	2
2	HOOD	3
3	WASHING SYSTEM	4
4	SPRAY ARMS	5
5	ELECTRONICS	6
6	DISPENSER	7
7	SOFTNER	8
8	DRAIN PUMP	9
9	BREAK TANK	10

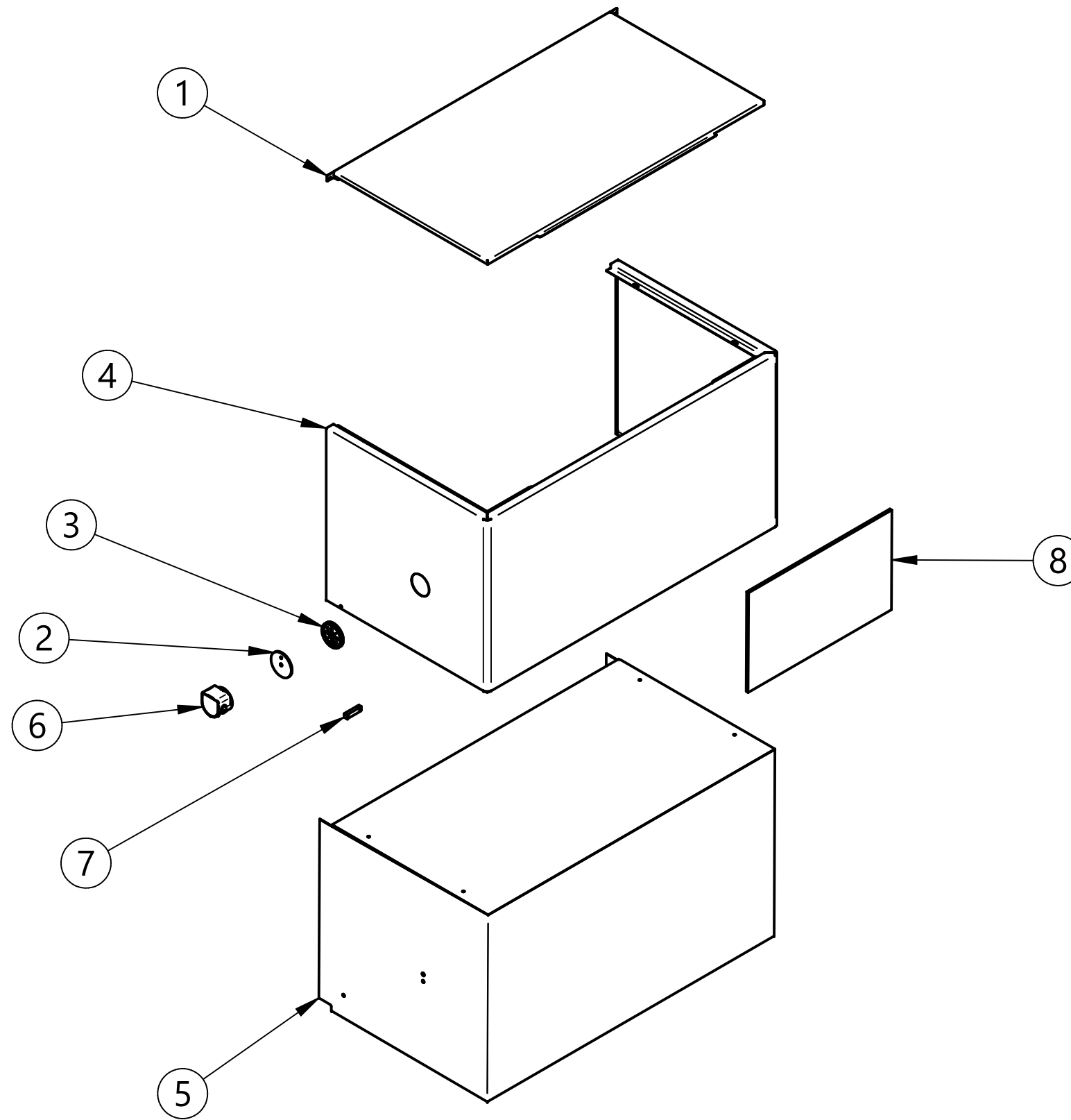


# CABINET & PANELS



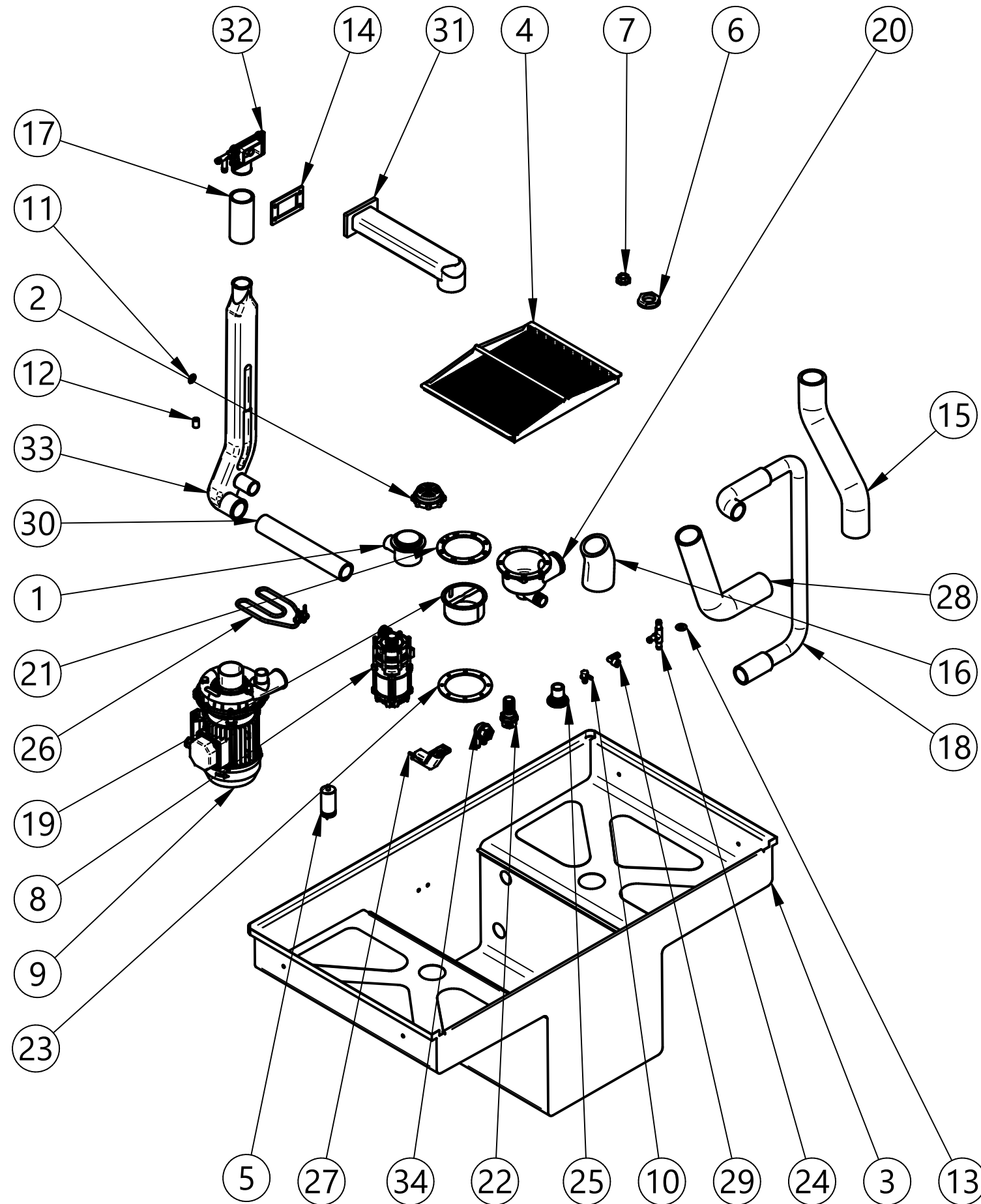
Item number	Code	Description	Quantity
1	900220 _A	N1300 DOUBLE BASEMENT	1
2	900223_A	DOUBLE CAPOT CENTRAL BEAM 2015	2
3	900228	COVER STRIP FOR TUB DOUBLE N1300 2015	1
4	900753	BACK PANEL DOUBLE CAPOT 2015	1
5	902863_A	COMPLETE HANDLE DOUBLE CAPOT $\phi$ 25 ROUND SUPP.	1
6	904137	LIFTING SPRING CAPOT E1000-N1000-N1300	4
7	905986.3100_A	HOOD CAPOT GROUP DOUBLE N1300 GGM	1
8	906363	PUMP SUPP. DOUBLE N1300	1
9	908652_A	SIDE PANEL N1000 / N1300 RH-LH	2
10	908703_B	BUSH FOR HANDLE	6
11	908704_A	BEARING WITH PIN N1000/N1300/LP	4
12	909418	RH PUMP SUPP. DOUBLE CAPOT	1
13	950961_A	BACK WALL DOUBLE N1300 2015	1
14	950991_B	RH BEAM N1000-N1300- 2023	1
15	950992_B	LH BEAM N1000-N1300-2023	1
16	952283	COMMAND PAN. DOUBLE N1300 EV03 MANUAL DRAIN	1
17	954752_A	PLATE FOR LIFTING SPRING	4
18	TR0863_A	FOOT 2" C/P 100x100x2	4
19	TR3572_A	PUMP SUPP. DOUBLE RINSING	3

# HOOD



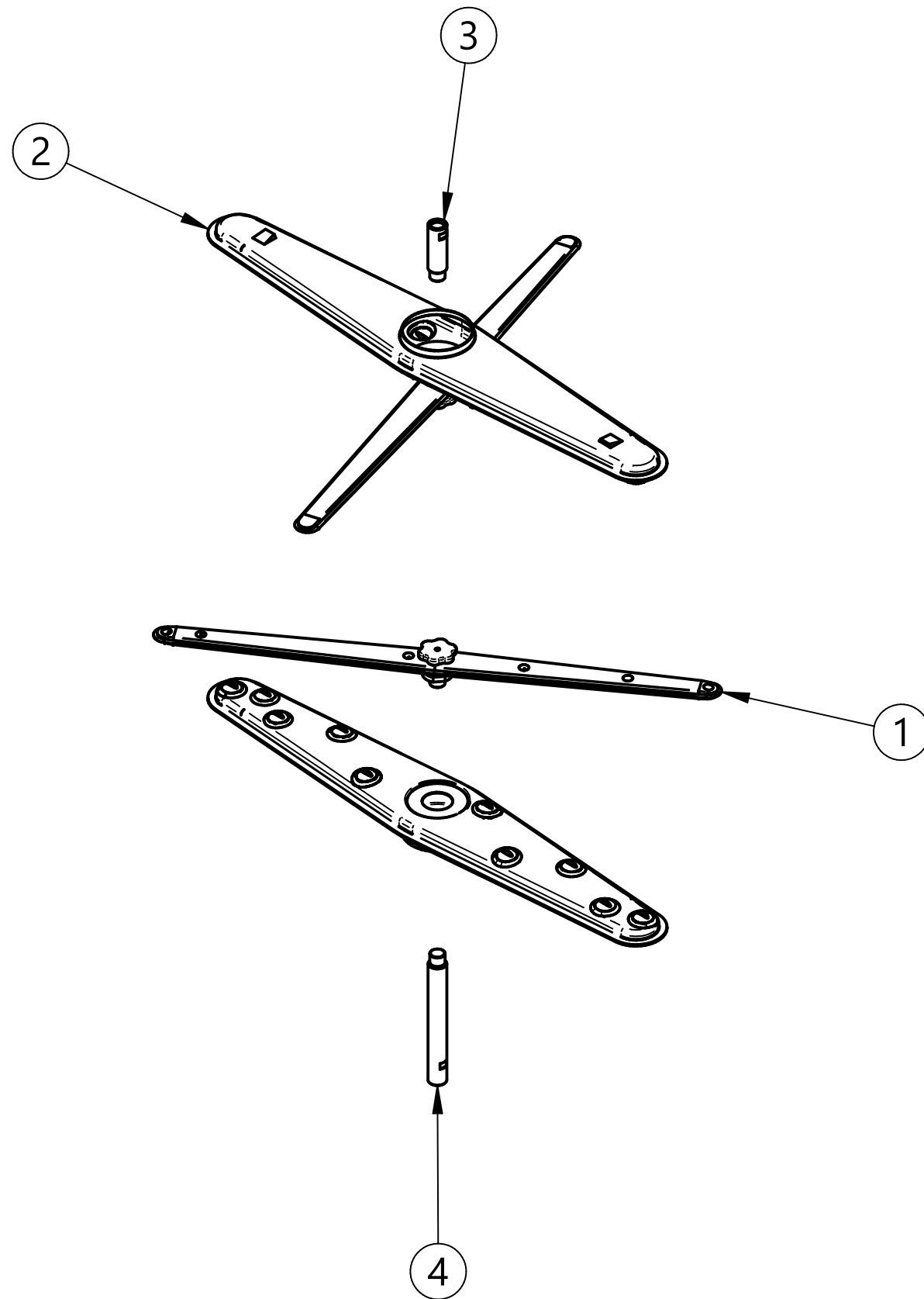
Item number	Code	Description	Quantity
1	900453	COIB. HOOD DOUBLE N1300 2015	1
2	901606_C	HANDLE SEALER CAPOT	2
3	901607_A	HANDLE SUPP. SPACER CAPOT	2
4	902671_A	COIB. STRIP DOUBLE CAPOT	1
5	902885_A	ROUND SUPP FOR HANDLE DOUBLE CAPOT	1
6	904832 _A	BLACK HANDLE SUPP CAPOTE GGM	2
7	908706	MAGNET + COVER CAPOT-LP57	1
8	951512_A	POLIST. SHEET 580X350X8mm	7

# WASHING SYSTEM



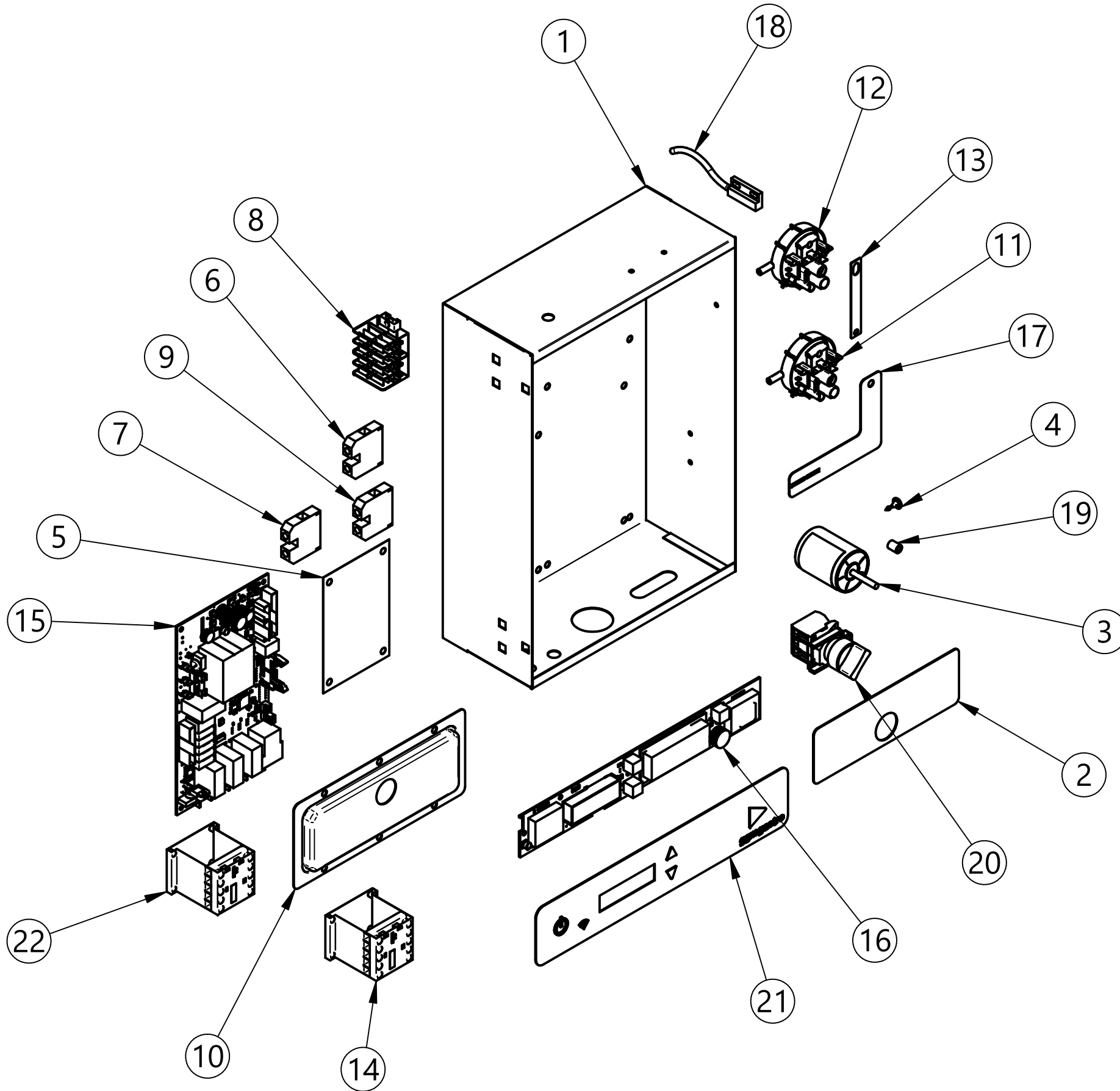
Item number	Code	Description	Quantity
1	900049_A	WASHING LOWER HUB	2
2	900050_A	MOPLEN RING FOR LOWER	2
3	900221	TUB ASSEMBLY DOUBLE	1
4	901574	FILTER DOUBLE CAPOT	2
5	901730_A	CAPACITOR 10 $\mu f$	2
6	902070_A	RING FOR DRAIN JOINT 1"	1
7	902111_A	RING 3/8" PPL	1
8	902235_A	PUMP 0.30KW 230/1/50	2
9	902286_A	PUMP 1.1KW 400/3/50 N1300	2
10	902366_A	TUB SOAP INLET INOX CONN.	1
11	903351	FIBER SEALER UPPER	2
12	903379_A	SEALER FOR RINSING ARM	2
13	903412_A	FIBER SEALER FOR SOAP	1
14	903413_B	EXTERNAL SEALER FOR	4
15	903698_A	OUTLET SLEEVE N1300 2014	1
16	903699_A	SUCTION SLEEVE N1300 2014	2
17	903706_A	OUTLET SLEEVE CAPPOTTA	2
18	903728_A	UPPER OUTLET SLEEVE S28	1
19	904898	SURFACE AND PIT FILTER	2
20	905237_A	ENLARGED SUCTION PIT $\phi 55$	2
21	905238_B	ENLARGED PIT FLANGE	2
22	905377_A	NYLON CONN. 1"x25 DRAIN	1
23	905378_B	PIT SEALER NEW TYPE 2013	2
24	905382_A	3-WAYS RINSING	4
25	905440_A	DRAIN JOINT 1"	1
26	905520_A	BOILER/TUB RESISTANCE	1
27	907254	AIR TRAP	1
28	907403	WASHING OUTLET SLEEVE	1
29	908101_A	90° JOINT 1/4" + JOINT D.12	2
30	908712_B	LOWER OUTLET SLEEVE	2
31	908744	WASHING/RINSING ARM	2
32	908745_A	ARM JOINT PPH	2
33	908747_B	WASHING COLUMN	2
34	TR2434_A	SEMI-CLOSED NO-RETURNE	1

# SPRAY ARMS



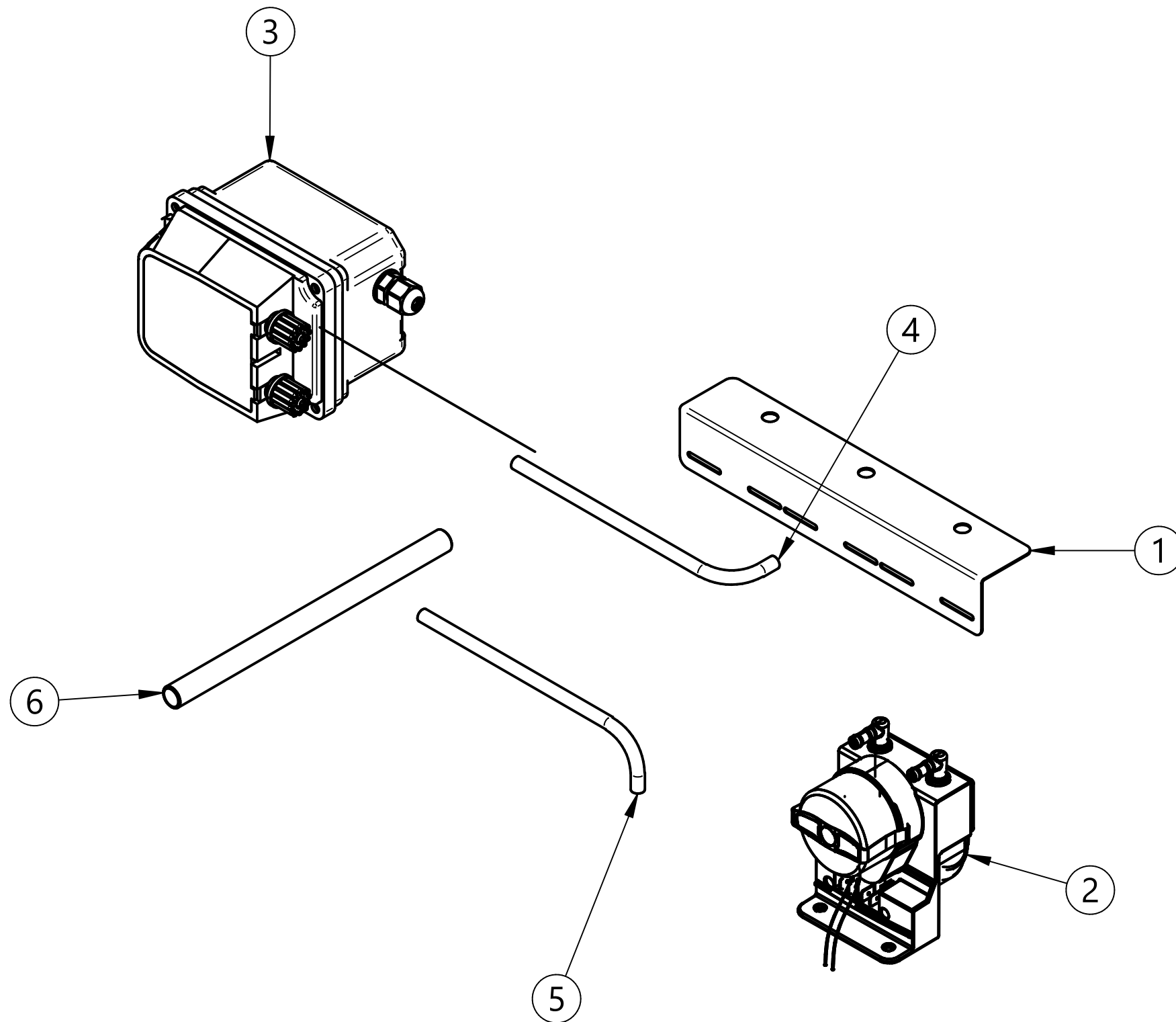
Item number	Code	Description	Quantity
1	903028.2141	INOX RINSING SPRAY ARMS 4 2013	4
2	903045_A	WASHING SPRAY ARM N1300 WITH BACK HOLE + HUB	4
3	904751_A	UPPER WASHING PIN N1300 T.N.	2
4	904753_A	LOWER WASHING PIN N1300	2

# ELECTRONICS



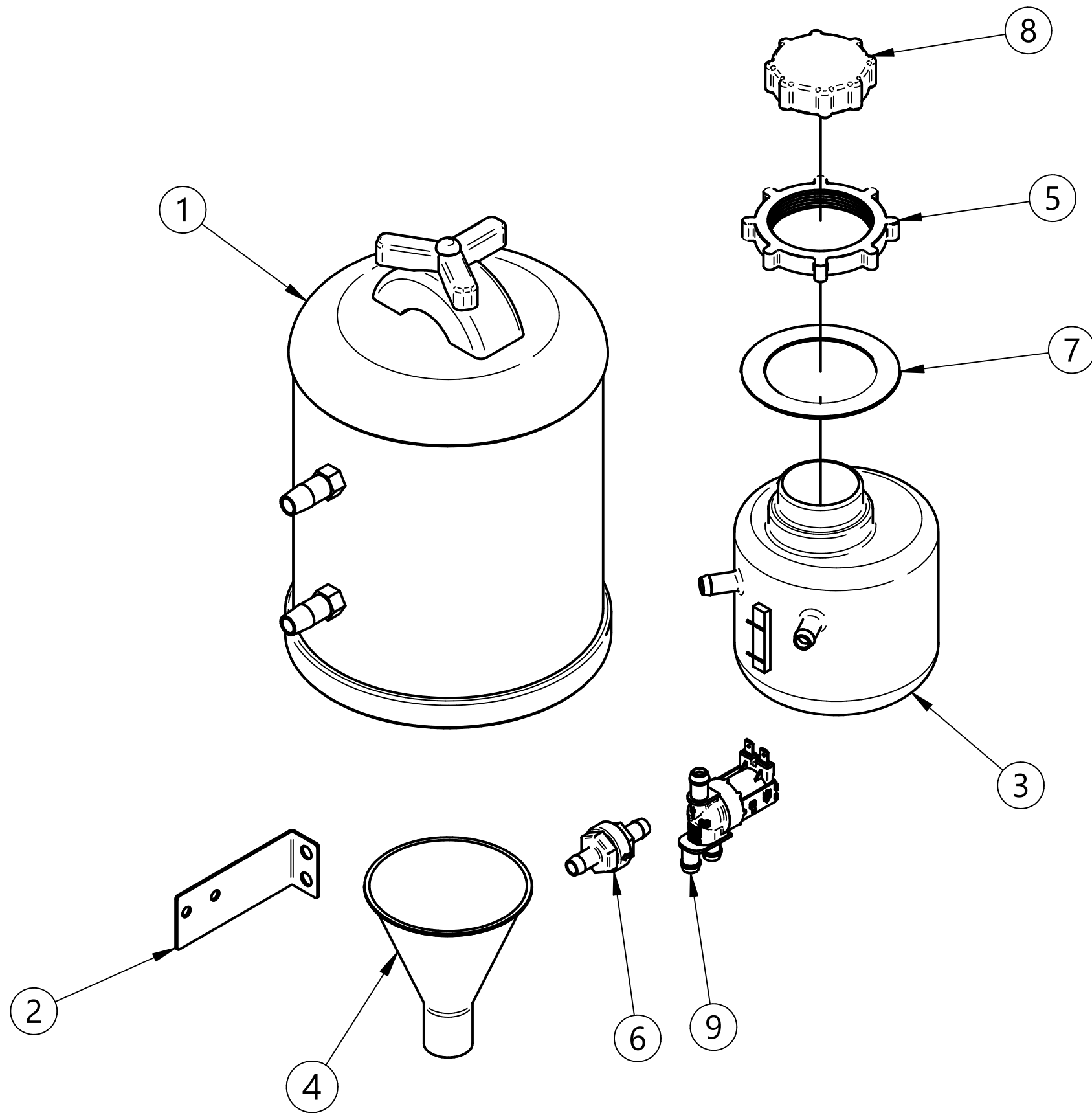
Item number	Code	Description	Quantity
1	900867_B	ELECTRIC BOX DOUBLE CAPOT	1
2	901436_A	PLATE INTELLIWASH	1
3	902107_A	THREE-PHASES ANTI-NOISE FILTER	1
4	902193_A	ELECTRIC TIMER SPACER	4
5	902302_A	BASE BOARD INSULATOR EVO2/3 ELCA 200X100	1
6	903374_A	CLAMP CBC.16/GR	5
7	903376_A	GROUND CLAMP TEC.16/0	1
8	904167_A	4-POLES CLAMP W. SHOULDER	1
9	904200_A	12-POLES CLAMP M	1
10	904844_A	PLATE-HOLDER INTELLIWASH 1 HOLE DOUBLE CAPOT	1
11	905276_A	PRESSOSTAT 30/160 N1300/LP/LPN	1
12	905283_A	PRESSOSTAT 65/10	1
13	906994_C	PRESSOSTAT SUPP. INVENSIS-BITRON	2
14	907190	SWITCHER 9A 230V WITH LOVATO ACTUATOR	3
15	907398_A	BASE BOARD EVO2/3 ELCA 12 RELAYS	1
16	907401_A	FRONT BOARD EVO3 12 RELAYS	1
17	908504_A	PLATE FOR REED N1000-N1300	1
18	909105_A	MAGNETIC REED N1000-N1300	1
19	909366_A	FRONT BOARD SPACER H=10MM	6
20	909451_A	3 POSITIONS SELECTOR WITH LEDS	1
21	909609_A	PLATE CAPOT-LP EVO3 NERA GGM	1
22	TR0323_A	SWITCHER 18A 230V 4 LOVATO CONTACTS	2

# DISPENSER



Item number	Code	Description	Quantity
1	901428_A	DISPENSERS SUPP. DOUBLE CAPOT	2
2	902053_A	SOAP DISPENSER PERIST. SEKO NO REG.	1
3	902095_A	RINSING DISPENSER PERIST. SEKO NO REG.	2
4	907278_A	CRYSTAL RED PIPE 4X6	1
5	907279_A	SILICONE PIPE 4X7	1
6	907456_A	INOX WEIGHT190 mm RINSE/SOAP PIPE	3

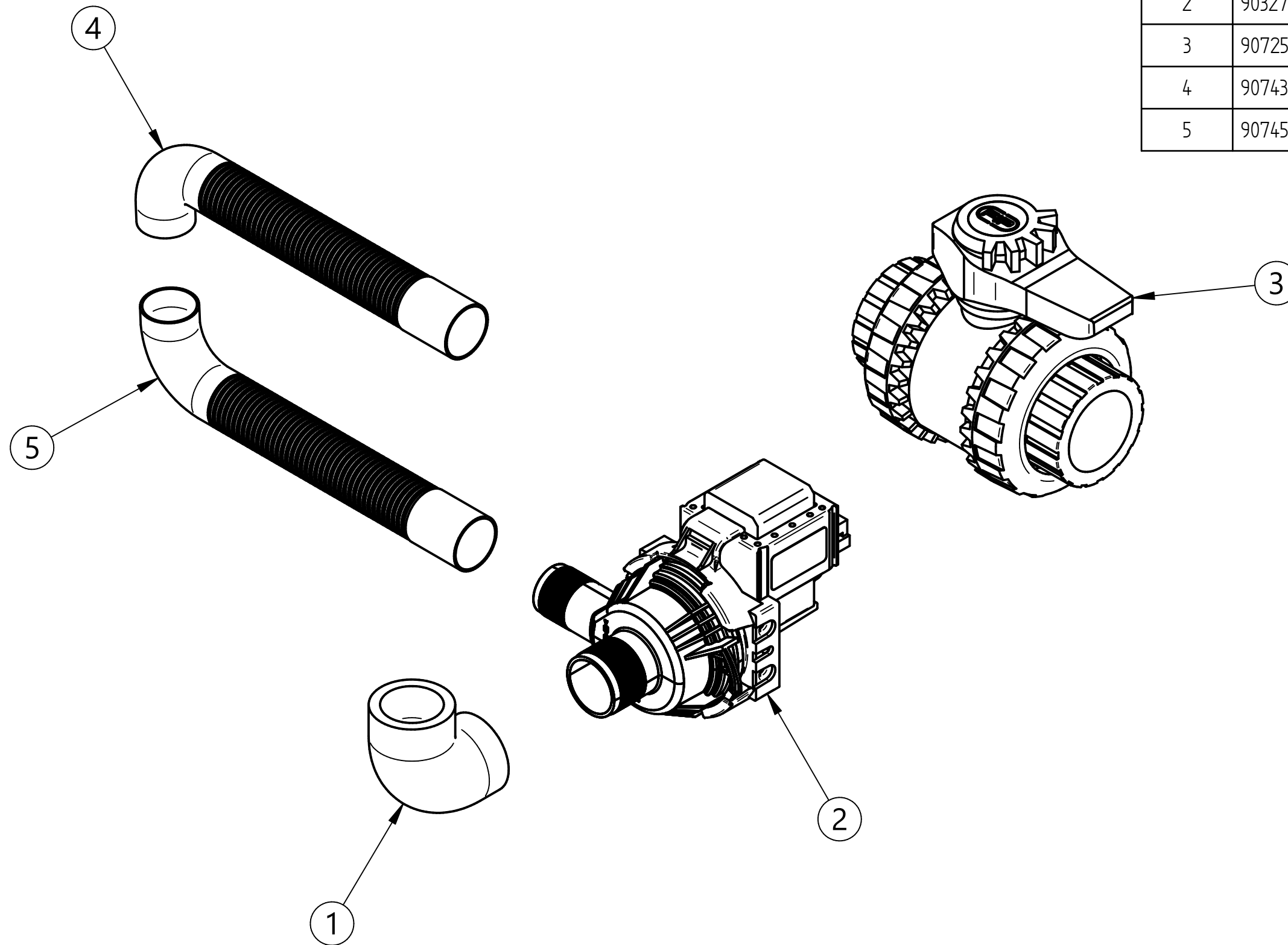
# SOFTNER



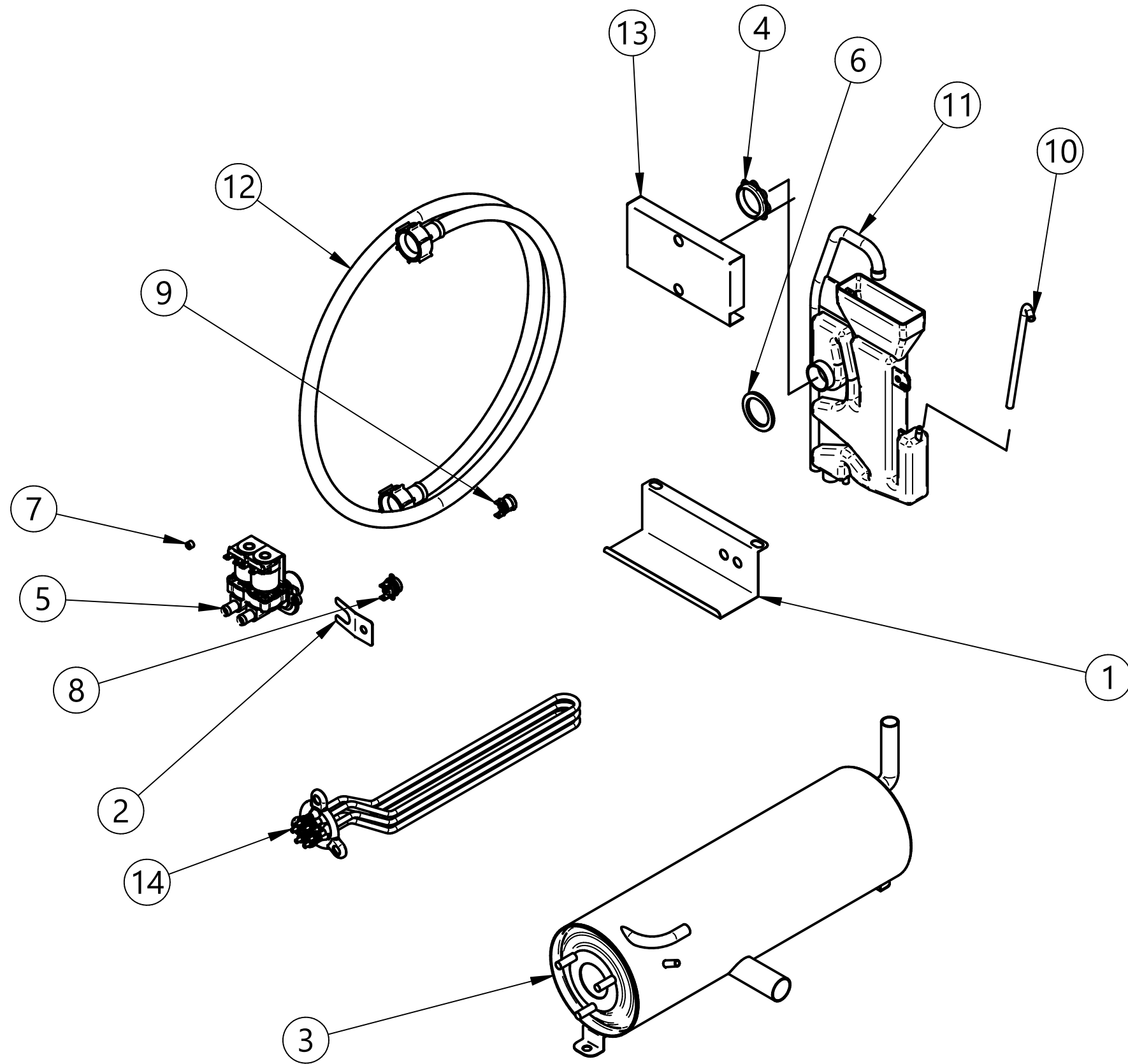
Item number	Code	Description	Quantity
1	150801_A	WATER SOFTNER DVA LT 5	1
2	900060_A	BRACKET FOR WATER SOFTNER SLT CAPOT	1
3	901794_A	SALT TANK WITH SENSOR	1
4	901897_A	SALT FUNNEL	1
5	902830_A	RING FOR SLAT TANK	1
6	903245_A	NO-RETURNE BLACK VALVE	1
7	903340_A	SEALER FOR SALT TANK	1
8	906418_A	CAP FOR SALT TANK	1
9	909374_A	DIVERTER VALVE 3/2	1

# DRAIN PUMP

Item number	Code	Description	Quantity
1	902422_A	DRAIN SLEEVE BREWERY	1
2	903270_A	DRAIN PUMP 220V 50HZ 36W Type P60	1
3	907256_A	DRAIN VALVE DOUBLE CAPOT	1
4	907439_A	DRAIN PIPE $\phi$ 19 90° 2000MM PS	1
5	907452_A	DRAIN PIPE $\phi$ 24 90° 245MM PS	3



# BREAK TANK



Item number	Code	Description	Quantity
1	900026_A	SPLASH-GUARD INOX COVER BREAK TANK	2
2	900187_A	1 PAD THERMOSTAT PLATE 2015	1
3	901625_A	BOILER DOUBLE CAPOT	1
4	902091_A	AIR GAP RING	2
5	902401_A	2-WAYS ELECTROV. Ø10 W. RED REDUCER	1
6	903393_A	AIR GAP SEALER 43X32X3 (TAPPO 1")	2
7	905485_A	REGULATOR GROUP 5.5 LT. DARK BROWN	1
8	907125_A	SAFETY THERMOSTAT 110° BOILER W. COVER	1
9	907243_A	SAFETY THERMOSTAT 95° PAD	1
10	907279_A	SILICONE PIPE 4X7	1
11	907313_A	AIR GAP	2
12	907348_A	CHARGING PIPE 90° 1500MM S 800 HW	1
13	908558	INTERNAL COVER BT PLASTIC	2
14	TR0342_A	BOILER/TUB RESISTANCE 10KW 230V +OR	2