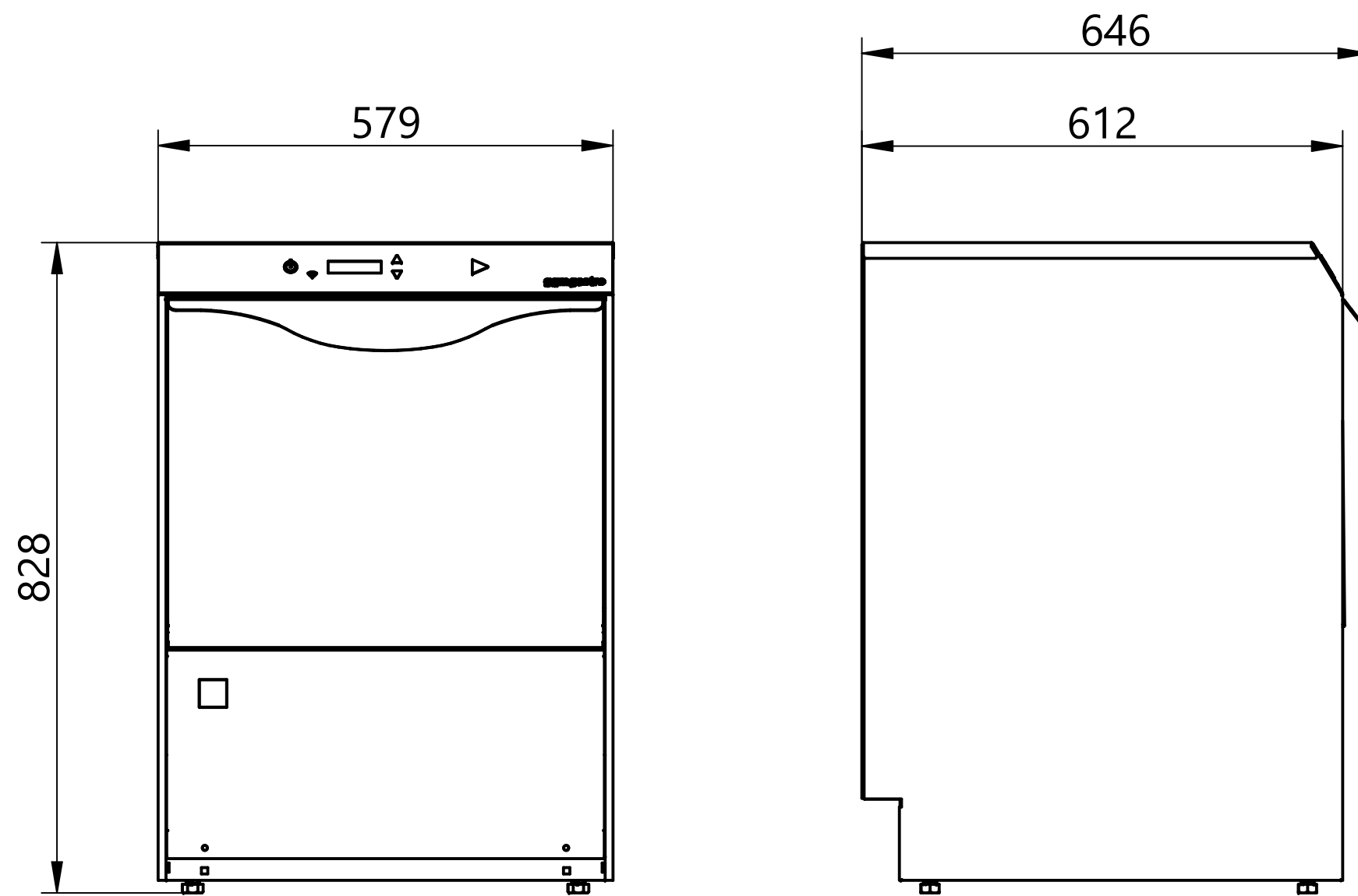


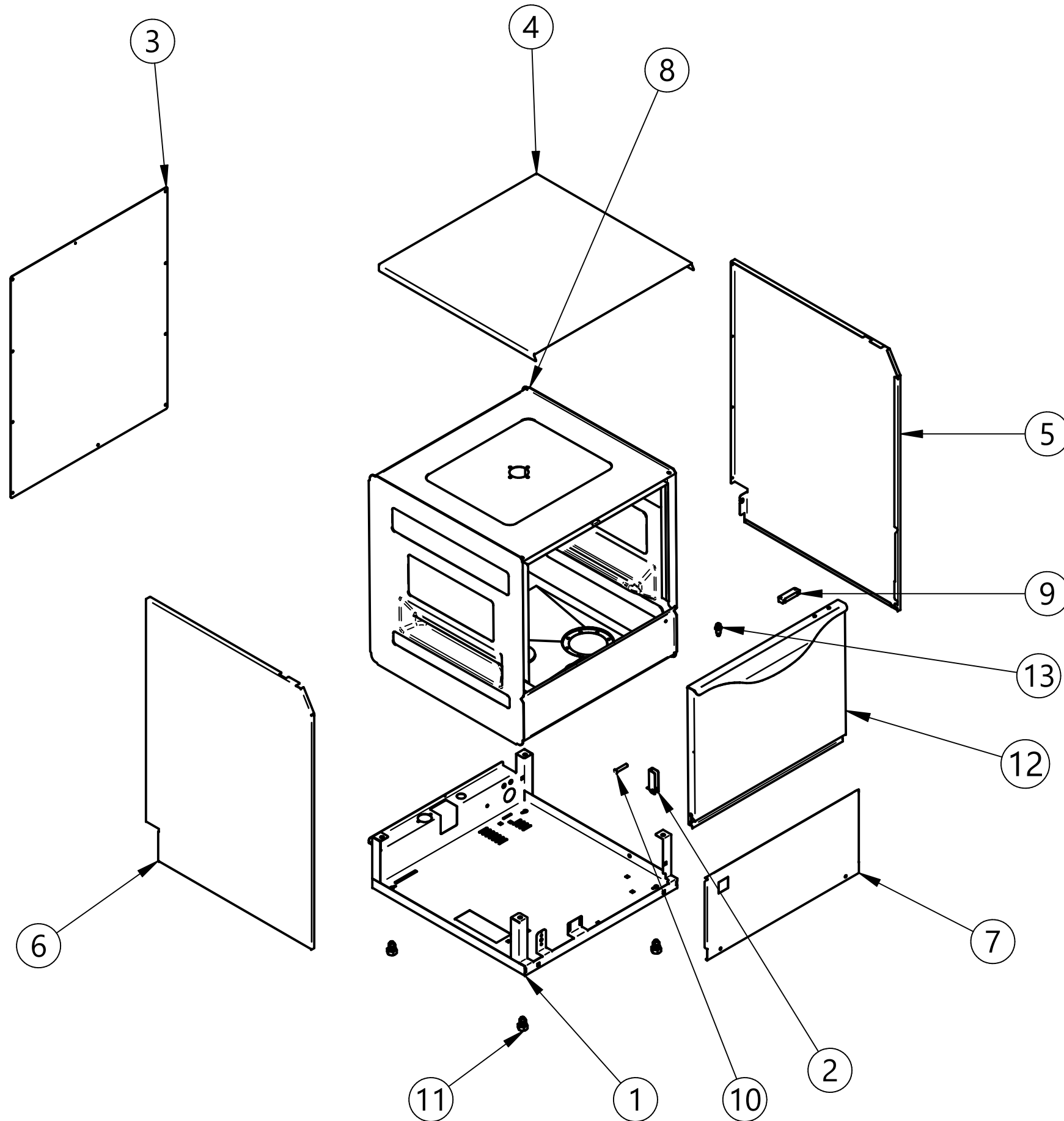
EXV090 - Exploded View - GGM - N700 Shisha



Chapter	Description	Page
1	CABINET AND PANELS	2
2	WASHING SYSTEM	3
3	SPRAY ARMS	4
4	ELECTRONICS	5
5	BOILER	6
6	DISPENSER	7
7	SOFTNER	8
8	DRAIN PUMP	9

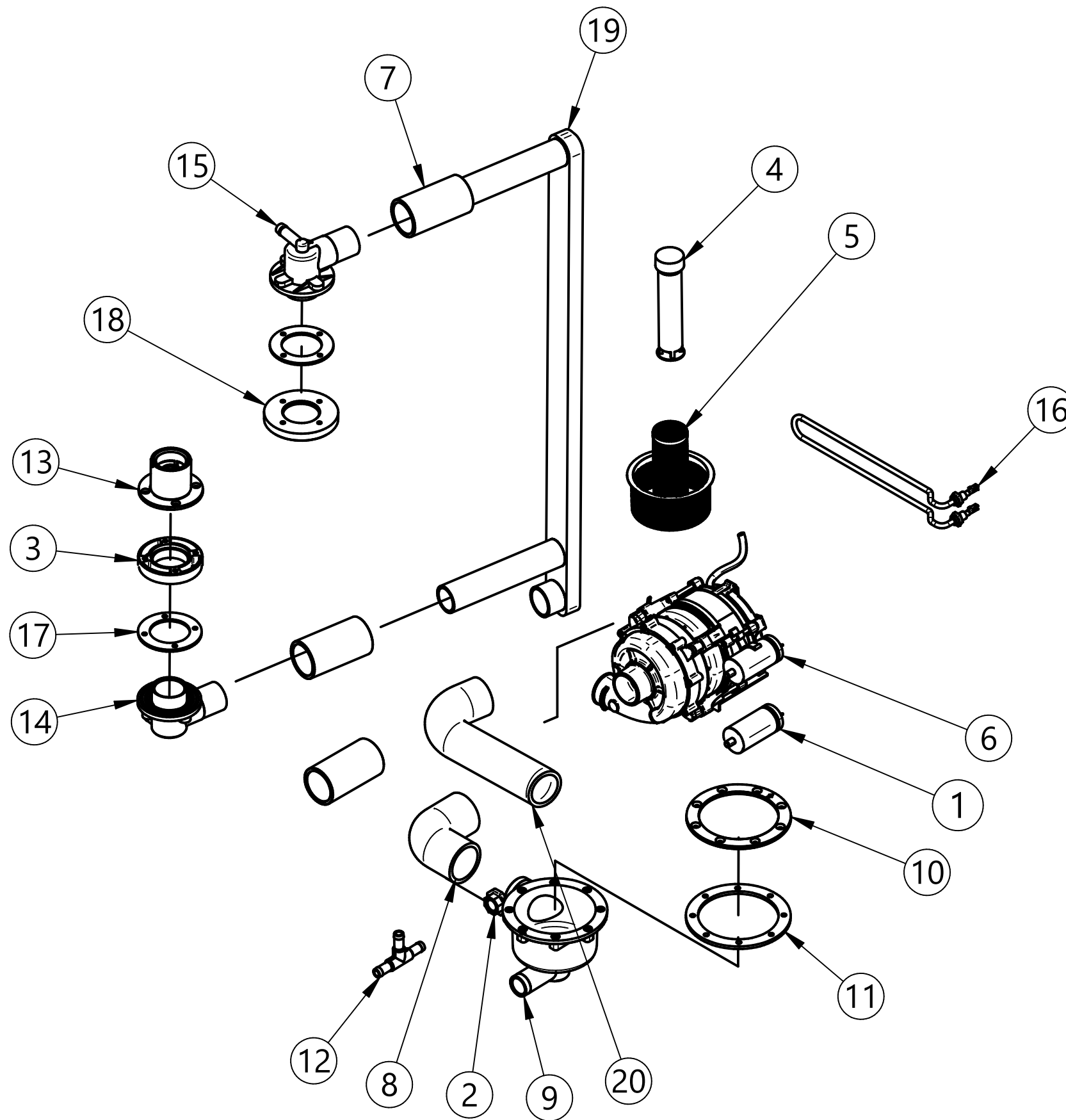


CABINET & PANELS



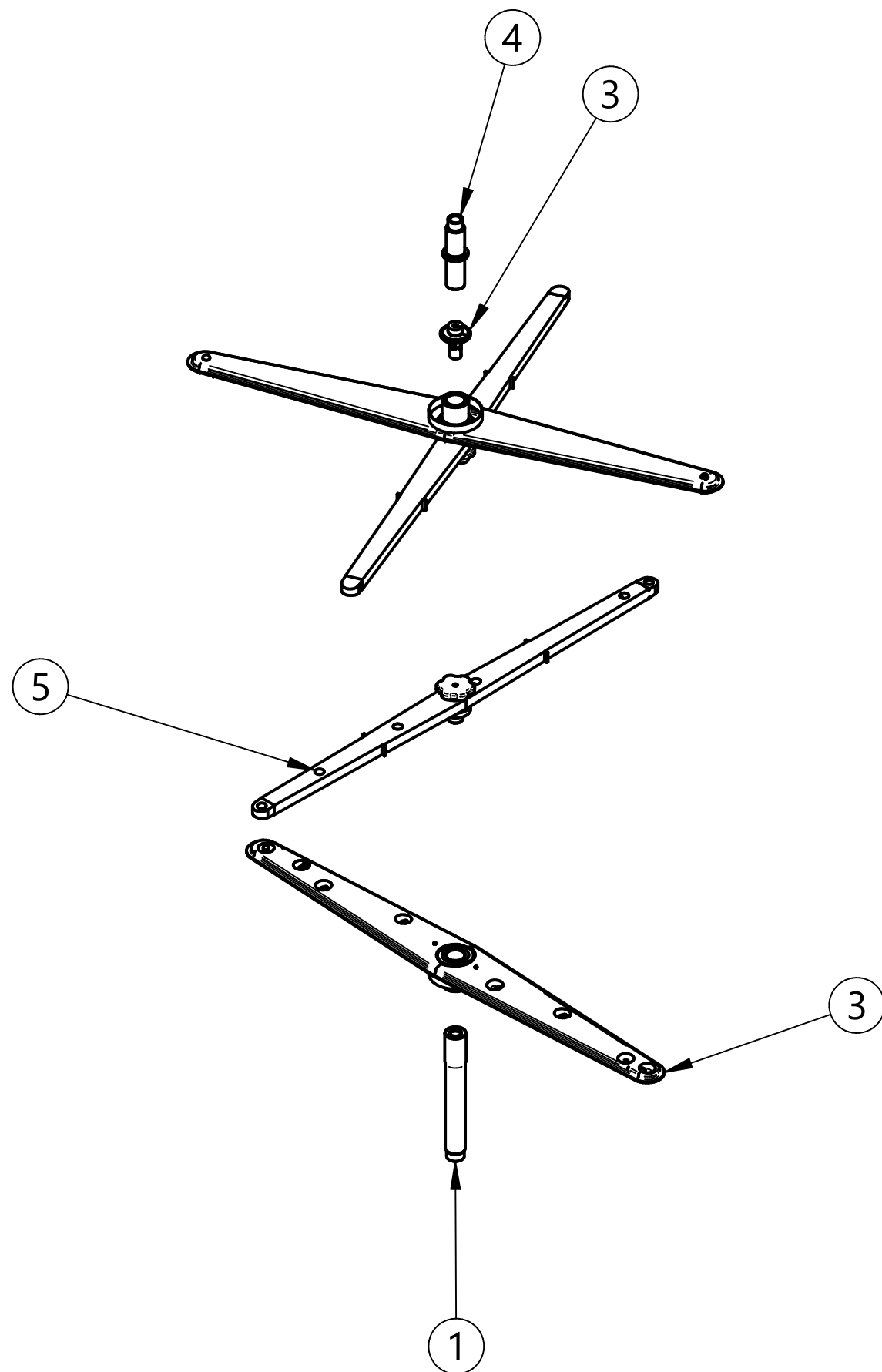
Item number	Code	Description	Quantity
1	900095_A	BASEMENT N700 E50 IMPERIAL	1
2	901245	HINGE FOR DISHWASHER DOOR	2
3	902166	BACK PANEL N700 IMPERIAL	1
4	902167_A	HOOD N700 IMPERIAL	1
5	902181	RH SIDE PANEL N700H IMPERIAL	1
6	902182	LH SIDE PANEL N700H IMPERIAL	1
7	902184	LOWER PANEL N700H IMPERIAL	1
8	902827_A	TUB N750H A	1
9	903651_A	MAGNET + FRONT COVER	1
10	904795_A	PIN FOR DOOR	2
11	905000_A	FOOT DISHWASHER PVC NEW	4
12	905158_A	DOOR N700H W. I.H. 15/10	1
13	906121_A	LOCKER WITH WHEEL AND M12 NUT	1

WASHING SYSTEM



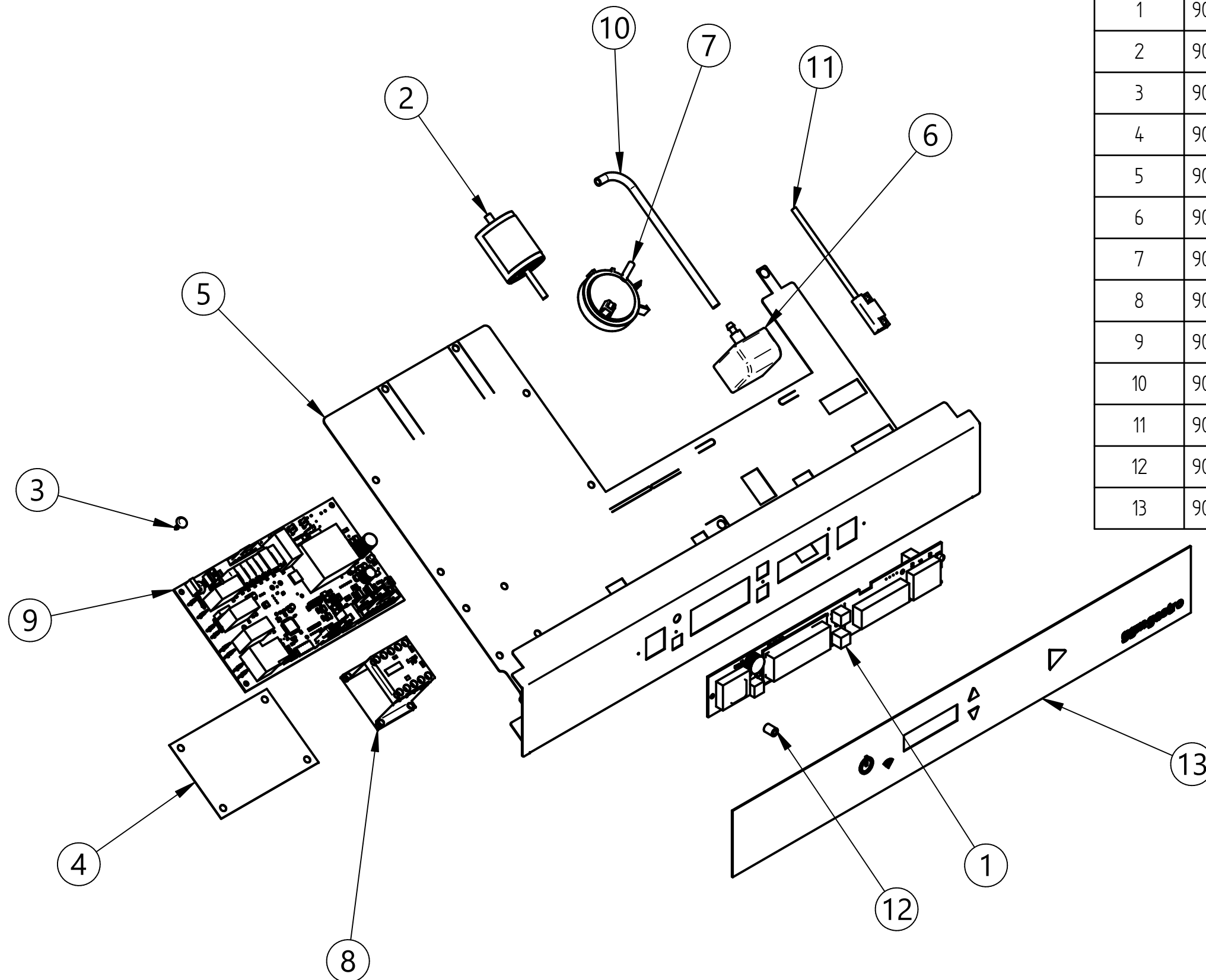
Item Number	Code	Description	Quantity
1	901730_A	CAPACITOR 10 μf	1
2	902111_A	RING 3/8" PPL	1
3	902183_A	LOWER HUB SPACER N45-N50	1
4	902308	TOO-FULL PIPE N700H	1
5	902310	CYLIND. FILTER FOR PIT N700H	1
6	903489_A	PUMP 0.40KW 230/1/50 N700-N750-E45-E50	1
7	903756_A	OUTLET PIPE N45/N50/N90/N700FH	4
8	903758_A	SUCTION SLEEVE N700	1
9	905236_A	ENLARGED SUCTION PIT $\phi 45$	1
10	905238_A	FLANGE FOR ENLARGED PIT	1
11	905378_A	PIT SEALER NEW MOD. 2013	1
12	905382_A	3-WAYS CONNECTION	1
13	905388_A	LOWER JOINT WASHING	1
14	905449_A	LH WASHING HUB DISHWASHER	1
15	905456_A	RH WASHING HUB DISHWASHER	1
16	905771_A	TUB RESIST. 1.6KW 230V	1
17	908141_C	WASHING JOINT SEALER	2
18	908154_A	UPPER HUB FLANGE DISHWASHER	1
19	908701_A	WASHING COLUMN N700/E50	1
20	909371_A	OUTLET SLEEVE N750/E50/E45	1

SPRAY ARMS



Item number	Code	Description	Quantity
1	902290_A	LOWER PIN WASHING N700H	1
2*	903107_A	WASHING ARM 4 W. HUB	2
3	904760_A	INOX PIN FOR RINSING ARM	1
4	904799_A	UPPER PIN WASHING N600/N700/N45/N50	1
5	907958.204	RINSING ARM 4 PPL	2

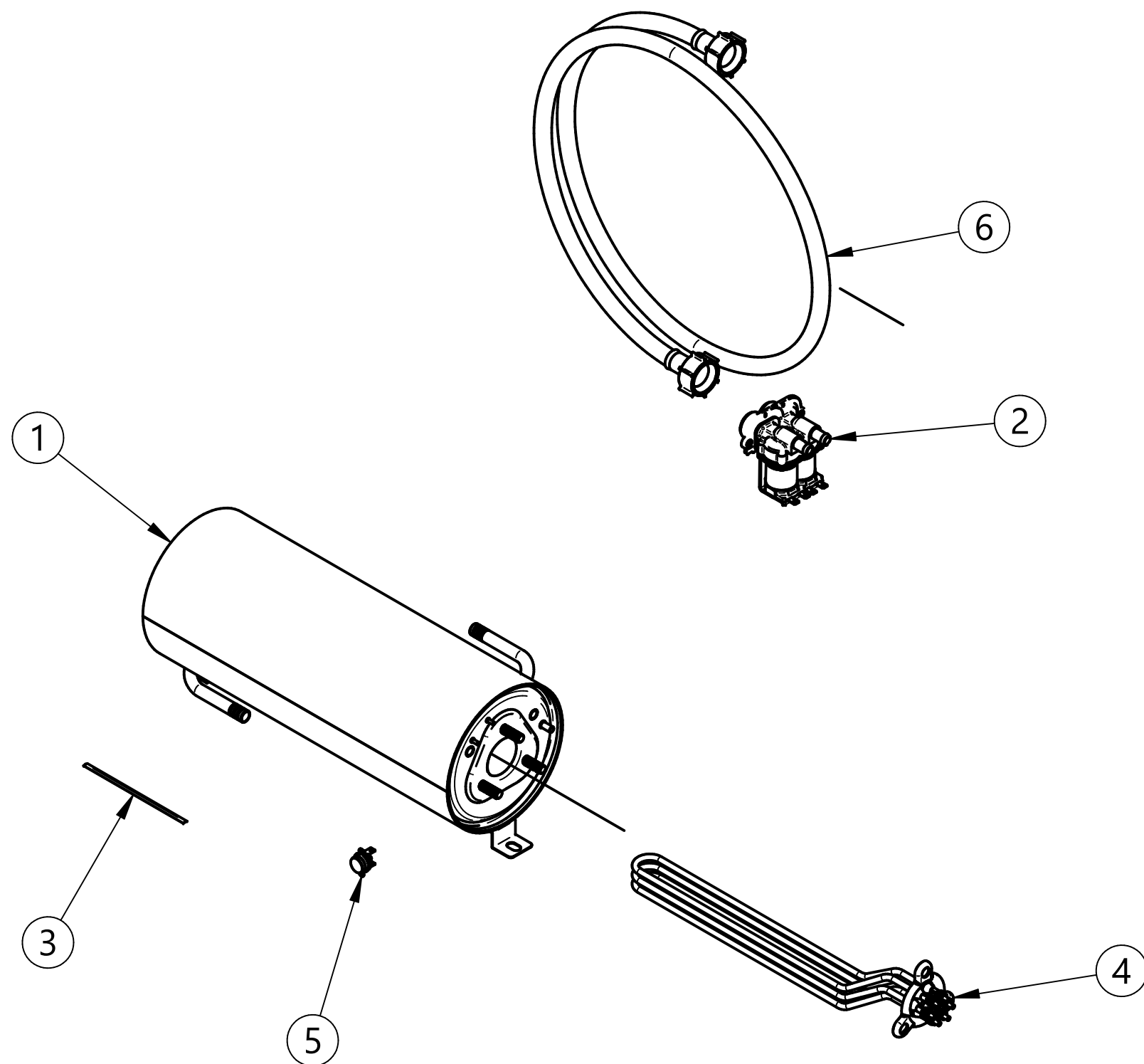
ELECTRONICS



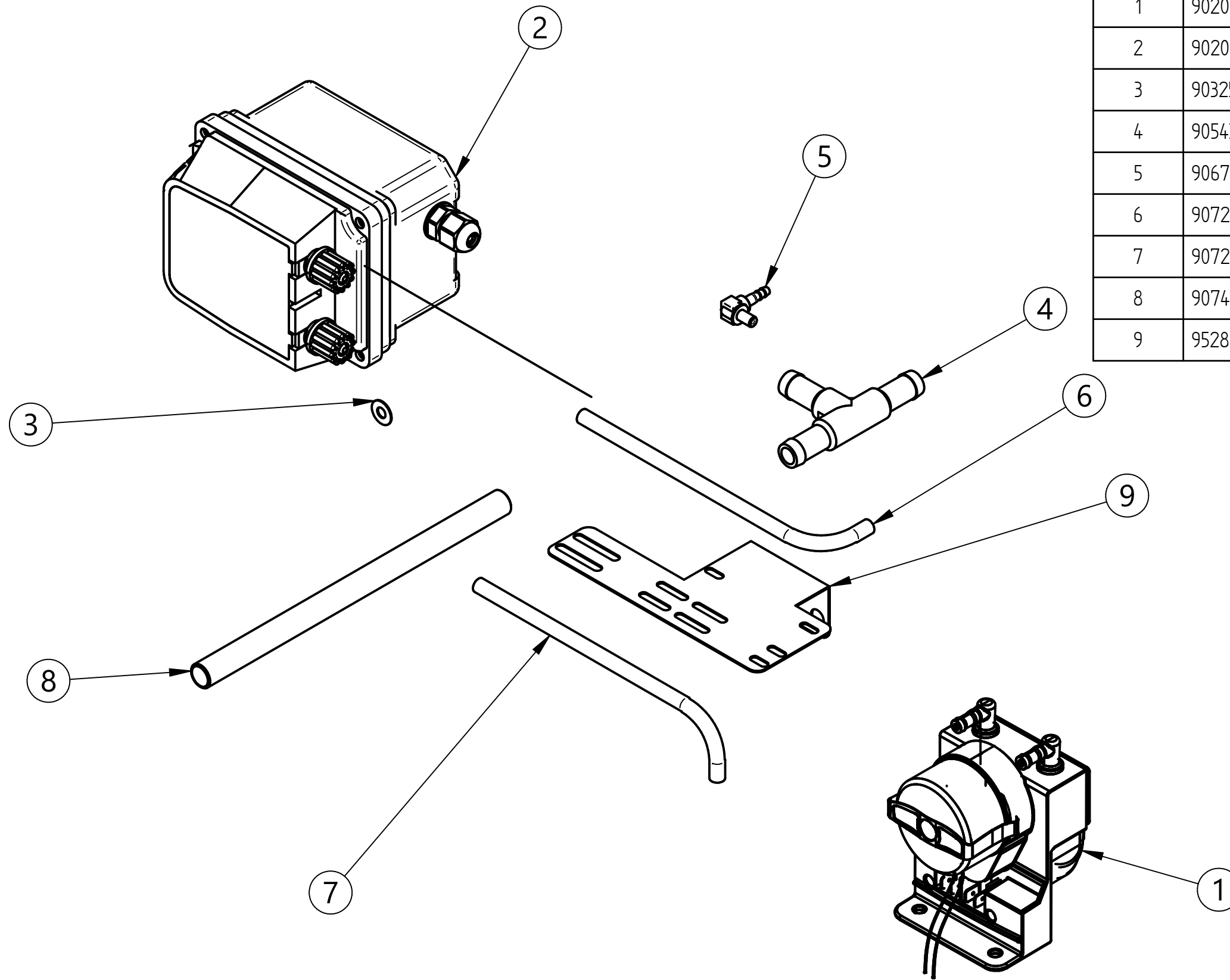
Item number	Code	Description	Quantity
1	901914_A	FRONT BOARD EVO3 ELCA	1
2	902107_A	THREE-PHASES ANTI-NOISE FILTER	1
3	902193_A	ELECTRIC TIMER SPACER	4
4	902302_A	BASE BOARD INSULATOR EVO2/3 ELCA 200X100	1
5	902437_A	PLATE HOLDER N700 EVO 3 IMPERIAL	1
6	905262_A	AIR TRAP 90MM CLEAR GRAY	1
7	905264_A	PRESSOSTAT 35/17	1
8	907190	SWITCHER 9A 230V WITH LOVATO ACTUATOR	1
9	907399_A	BASE BOARD EVO2/3 ELCA 10 RELAYS	1
10	907455_A	PRESSOSTAT PIPE 5X8 PVC BLACK	1
11	909285_A	MAGNETIC REED ELECTRIC DISHWASHER	1
12	909366_A	FRONT BOARD SPACER H=10MM	6
13	909603_A	PLATE N750 EVO3 GGM	1

BOILER

Item number	Code	Description	Quantity
1	900386_A	BOILER 600-700-N45-N50-N90-E45-E50 5LT. +RES.4.5KW	1
2	902401_A	2-WAYS ELECTROVALVE ϕ 10 W. RED REDUCER	1
3	904075_A	BRASS PLATE	1
4	905560_A	BOILER/TUB RESIST. D.R. 4.5KW 230V +OR	1
5	907297_A	SAFETY THERMOSTAT 110° PAD	1
6	907348_A	CHARGING PIPE 90° 1500MM S 800 HW	1

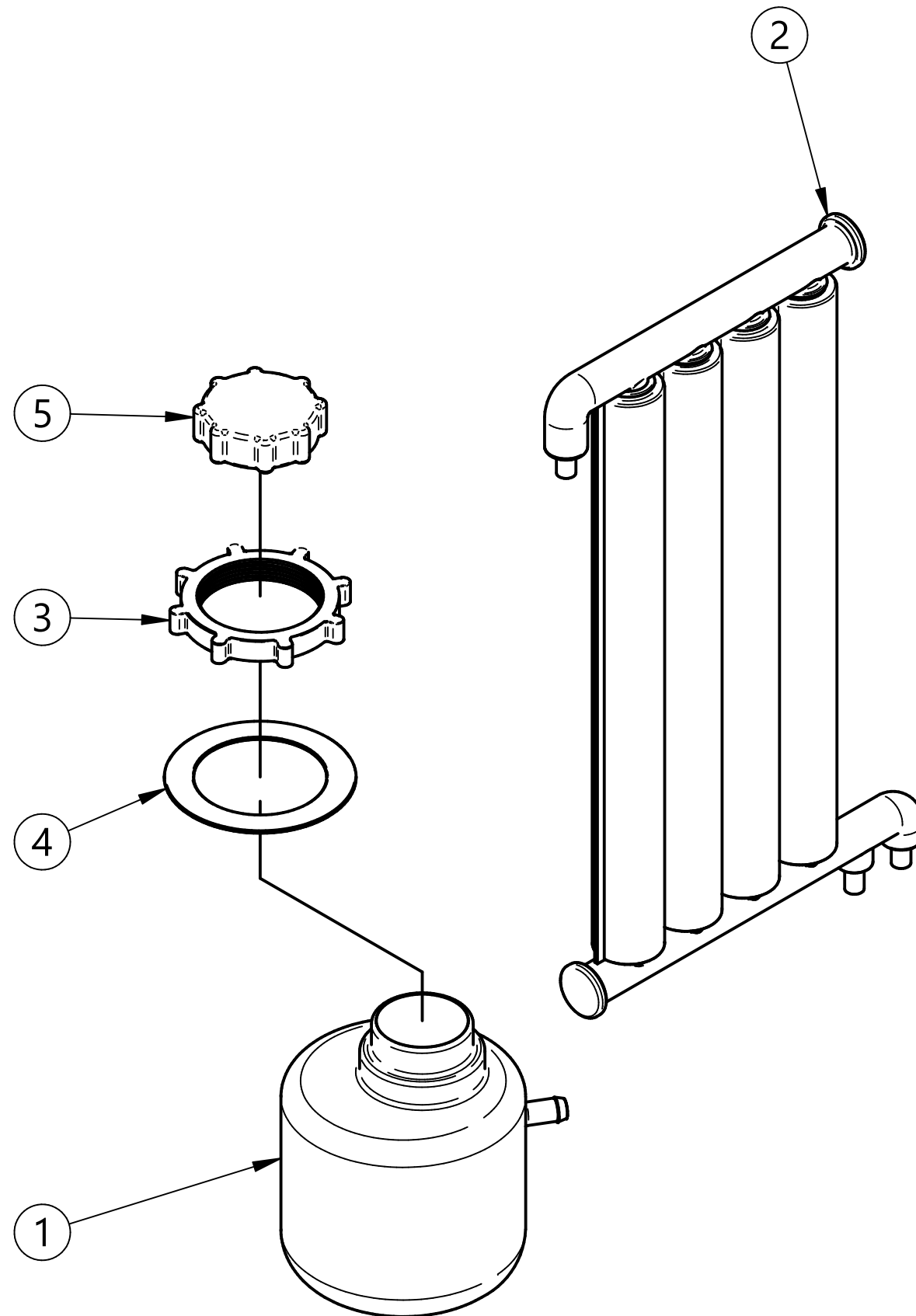


DISPENSER



Item number	Code	Description	Quantity
1	902053_A	PERISTALTIC SOAP DISPENSER SEKO NO REG.	1
2	902095_A	PERISTALTIC RINS DISPENSER SEKO NO REG.	1
3	903253_A	SEALING FOR DIS/VENT PS CONNECTION	2
4	905434_A	3-WAYS JOINT DISPENSER ON PUMP	1
5	906708_A	COMPLETE VENT CONNECTION PS COMPLETO	1
6	907278_A	RED CRYSTAL PIPE 4X6	1
7	907279_A	SILICONE PIPE 4X7	1
8	907456_A	INOX WEIGHT 190 mm RINS/SOAP PIPE	2
9	952820_A	DOUBLE DISPENSER SUPPORT	1

SOFTNER



Item Number	Code	Description	Quantity
1	901794_A	SALT CONTAINER WITH SENSOR	1
2	902150_A	4-COLUMN DESOFTENER	1
3	902830_A	SALT CONTAINER RING NUT	1
4	903340_A	GASKET SALT CONTAINER	1
5	906418_A	SALT CONTAINER CAP	1

DRAIN PUMP

Item position	Code	Description	Quantity
1	903269_A	DRAIN PUMP 220V 50HZ 30W Type P25	1
2	903672_A	SLEEVE FOR DRAIN PUMP E45-E50-N650-N750	1
3	907439_A	DRAIN PIPE ϕ 19 90° 2000MM PS	1

