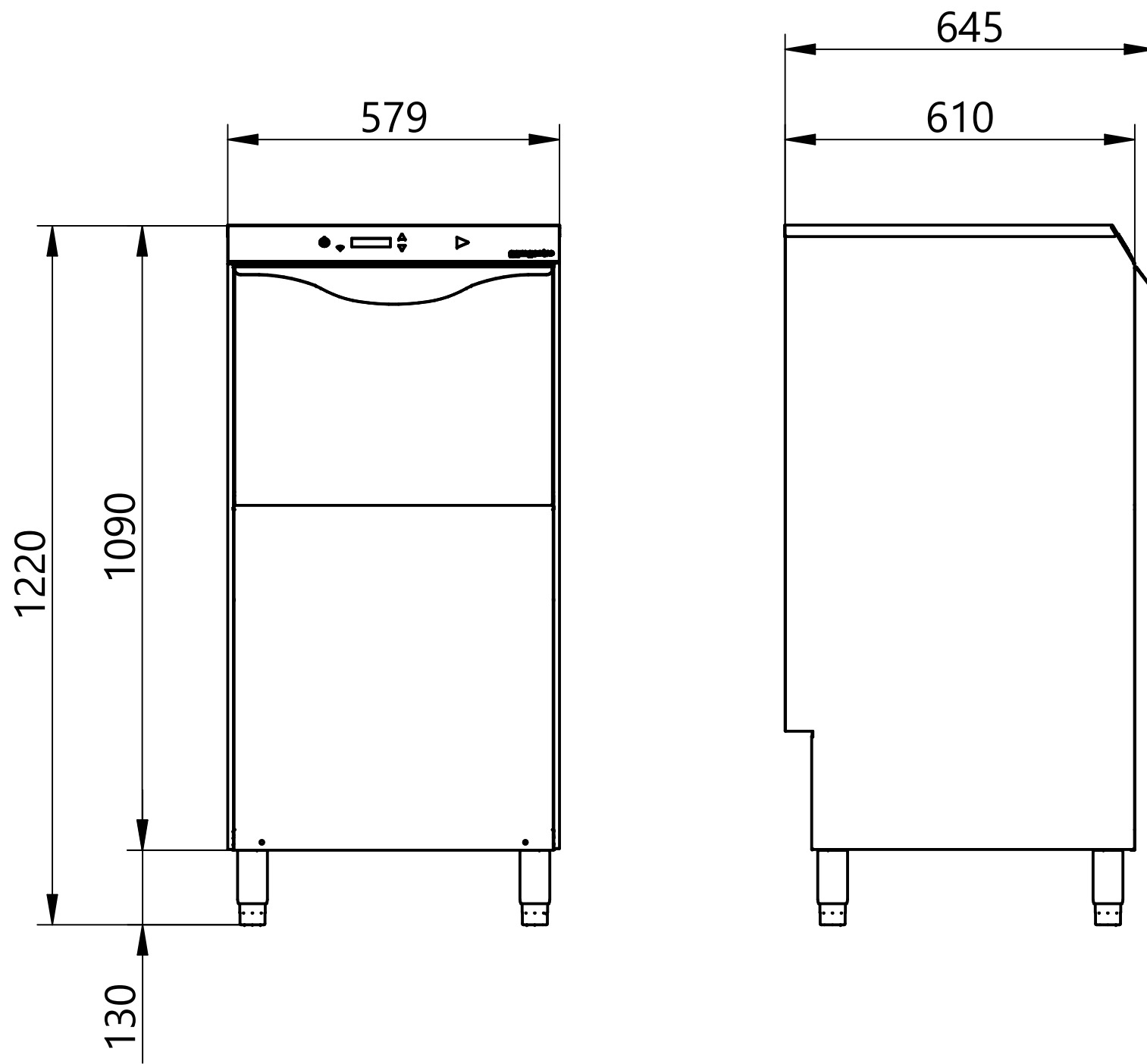


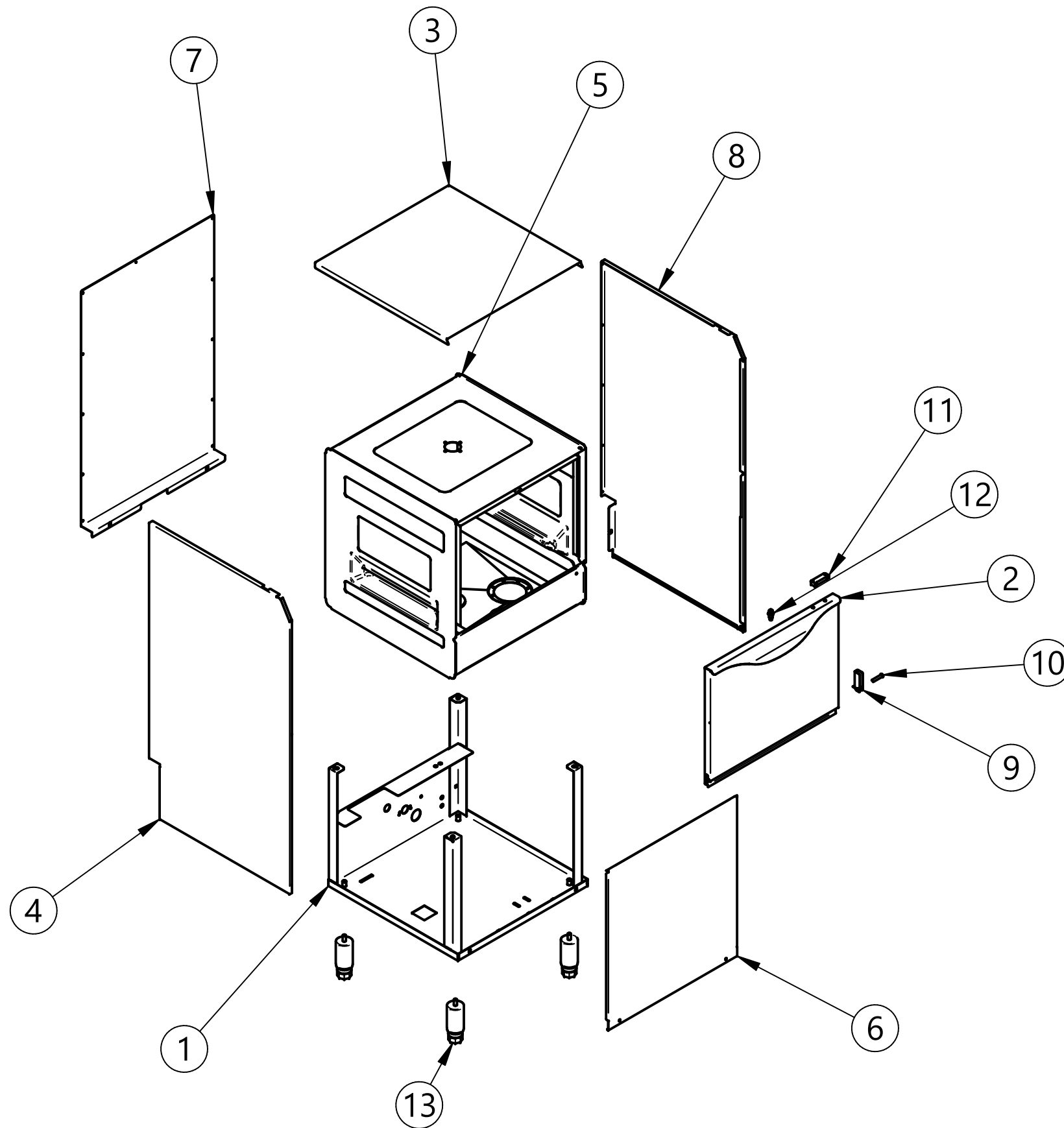
EXV091 - Exploded View - GGM - N700FH



Chapter	Description	Page
1	CABINET AND PANELS	2
2	WASHING SYSTEM	3
3	SPRAY ARMS	4
4	ELECTRONICS	5
5	BOILER	6
6	DISPENSER	7

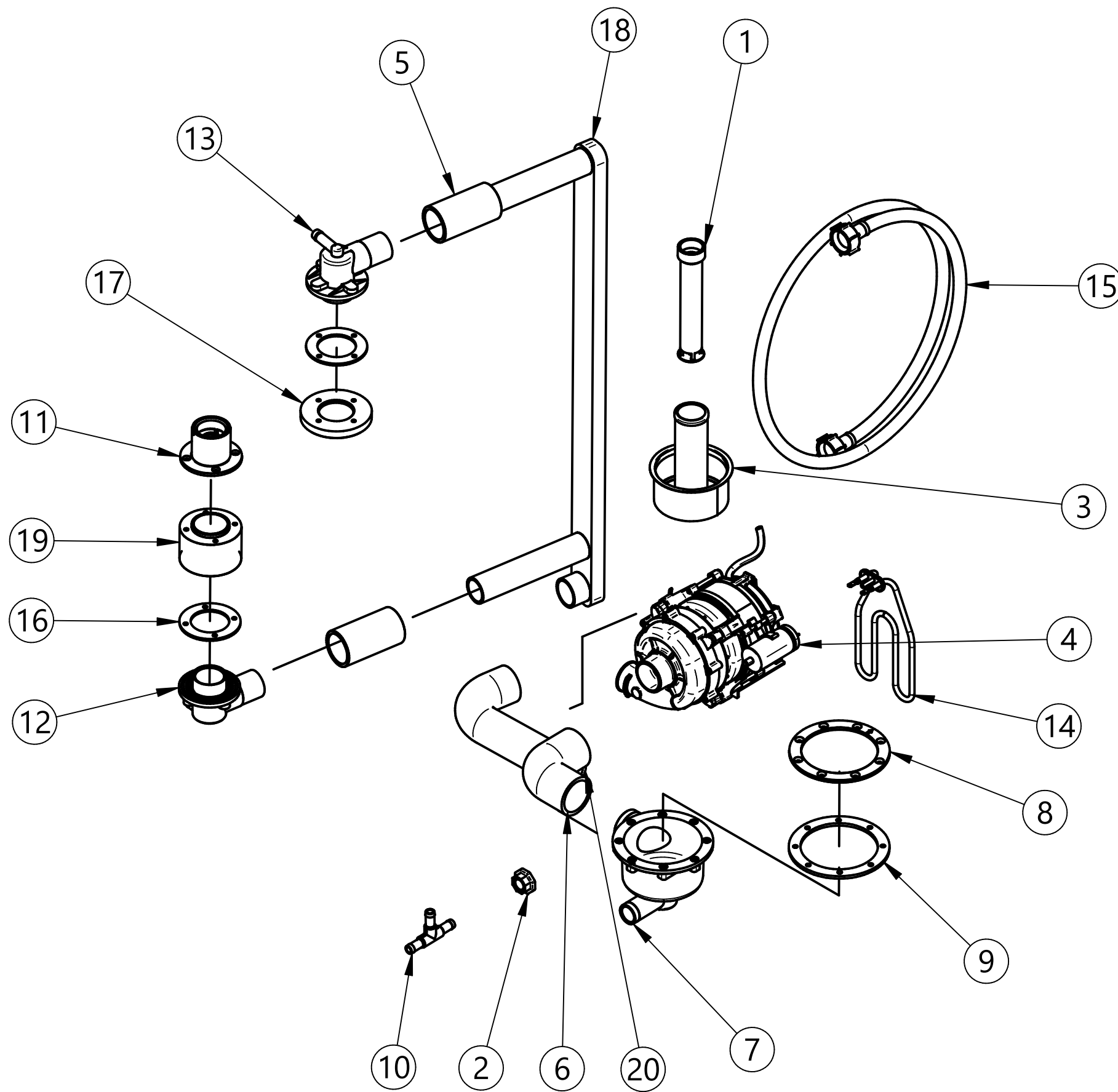


CABINET & PANELS



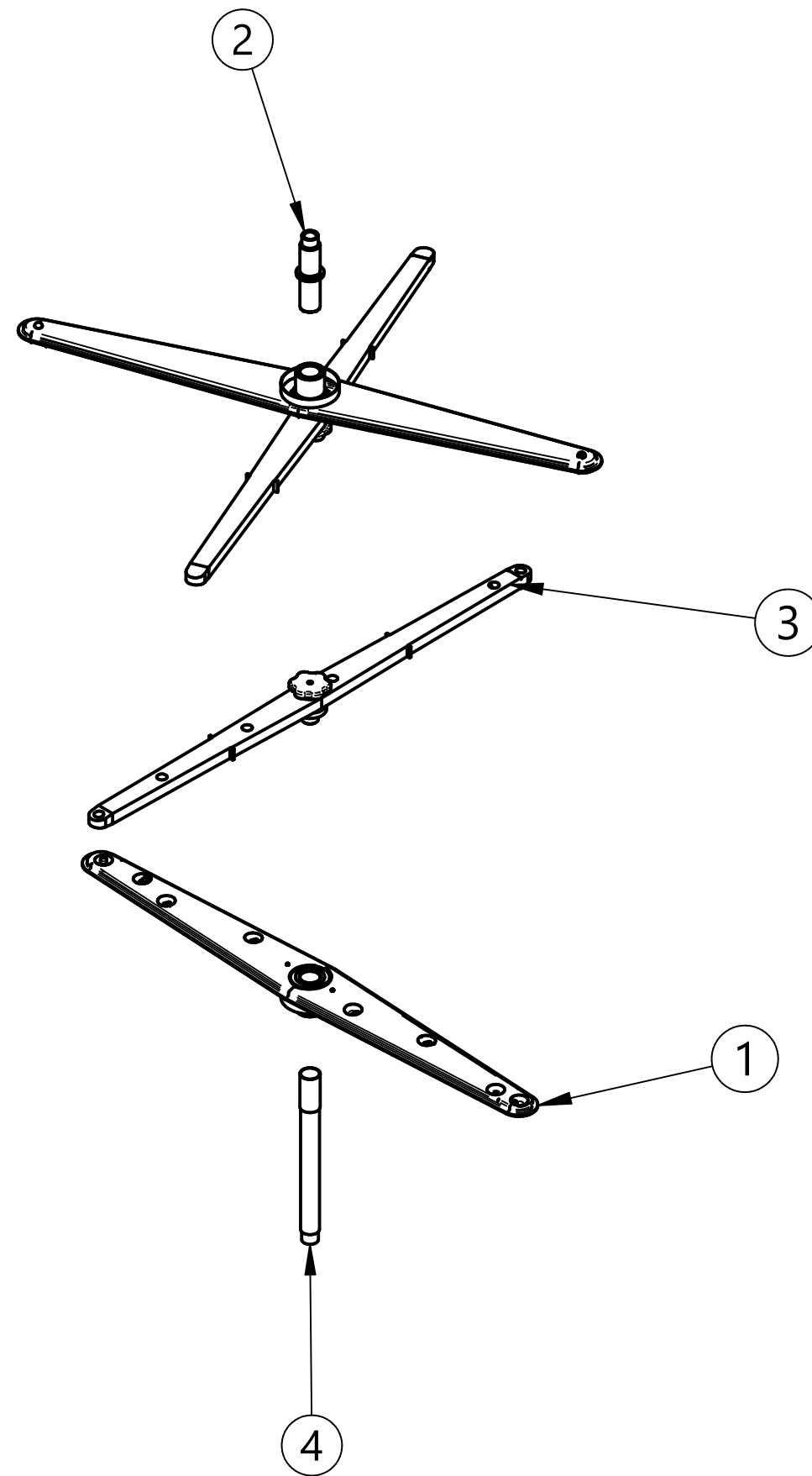
Item number	Code	Description	Quantity
1	904500_A	STD BASAMENT N700 FH	1
2	905180	DOOR WITH HANDLING N700 15-10	1
3	902167_A	HOOD N700 IMPERIAL	1
4	902549_A	SIDE PAN. N700FH LH IMPERIAL	1
5	908545	TUB N750A	1
6	902554	LOWER PAN. N700 FH IMPERIAL	1
7	902555	BACK PAN. N700 FH IMPERIAL	1
8	902548_A	SIDE PAN. N700FH RH IMPERIAL	1
9	901245	HINGE FOR DISHWASHER DOOR	2
10	904795_A	PIN FOR DOOR	2
11	903651_LA	MAGNET + FRONT COVER	1
12	906121_LA	LOCKER WITH WHEEL AND M12 NUT	1
13	905016_A	FOOT 1"1/2" M10	4

WASHING SYSTEM



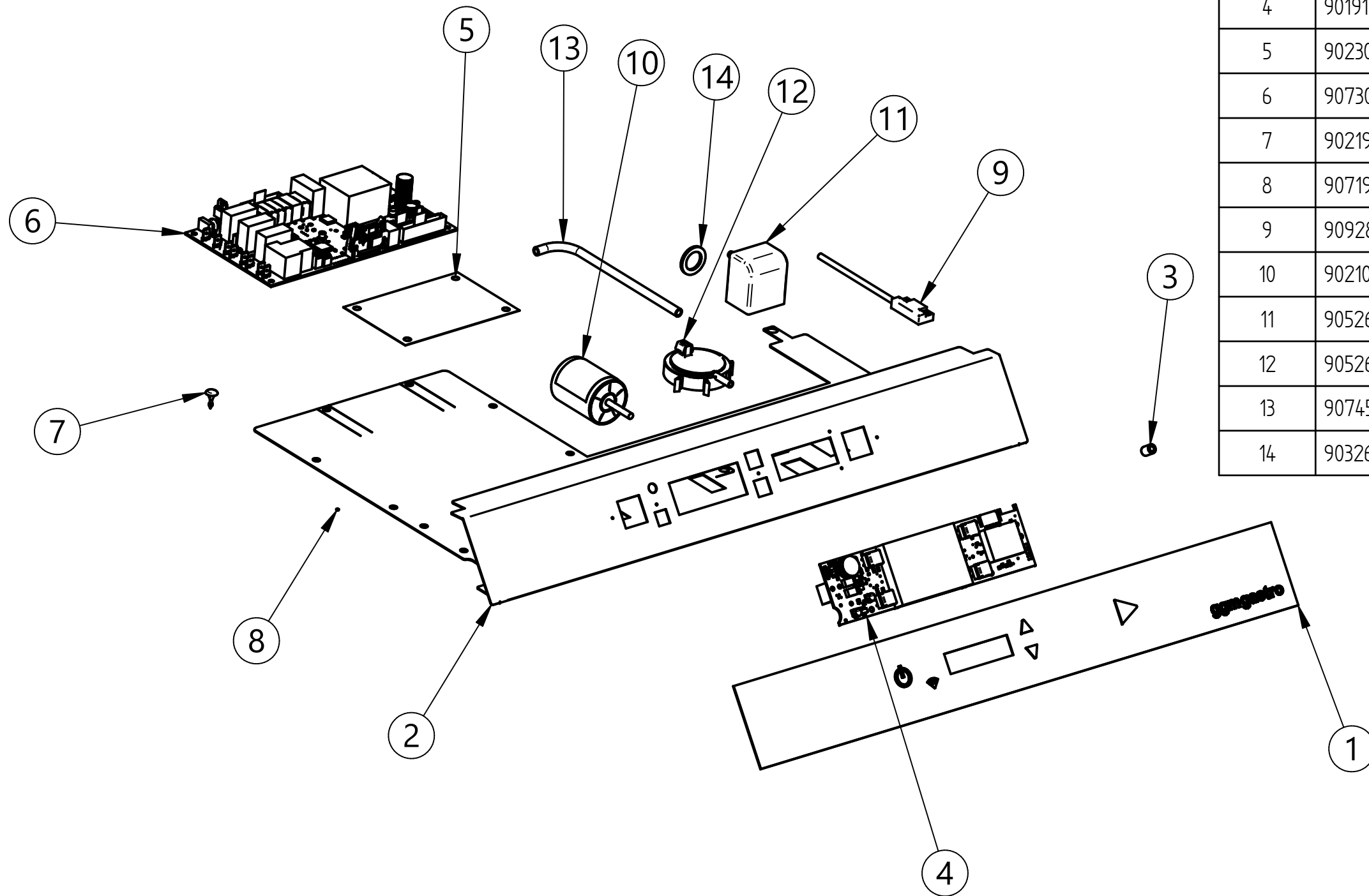
Item Number	Code	Description	Quantity
1	900129_A	T00-FULL PIPE N650-N750-E45-E50 PS 2015	1
2	902111_A	NUT 3/8" PPL	1
3	902399_A	FILTER WITH CYLINDER PPL H140MM Ø98MM	1
4	903489_A	PUMP 0.40KW 230/1/50 N700-N750-E45-E50	1
5	903756_A	PIPE OUT. N45/N50/N90/N700FH	2
6	903758_A	SLEEVE SUCT. N700	1
7	905236_A	POZZ. ASPIRAZ. OVERSIZED SUCT. Ø45	1
8	905238_A	OVERSIZED SUMP FLANGE SUCT./UNLO.	1
9	905378_A	SUMP GASKET TYPE NEW 2013	1
10	905382_A	3-WAYS CONNECTION	1
11	905388_A	WASHING BOTTOM FITTING	1
12	905449_A	LEFT WASHING HUB DISHWASHER	1
13	905456_A	RIGHT WASHING HUB DISHWASHER	1
14	905745_A	TUB RESIST. 2.5KW 230V	1
15	907440_A	DRAIN PIPE Ø24 1500MM	1
16	908141_C	GASKET FITTING WASHING	2
17	908154_A	PLATE WASHER TOP HUB FLANGE	1
18	908701_A	WASHING COLUMN N700/E50	1
19	908702_A	SPACER RECC. WASH. N700/N750	1
20	909371_A	DELIVERY SLEEVE N750/E50/E45	1

SPRAY ARMS



Item number	Code	Description	Quantity
1	903107_A	WASHING ARM 4 WITH HUB	2
2	904799_A	UPPER WASHING PIN N600/N700/N45/N50	1
3	907958.204	RINS ARM 4 PPL	2
4	908705_A	LOWER WASHING PIN N600/N700/E45/E50	1

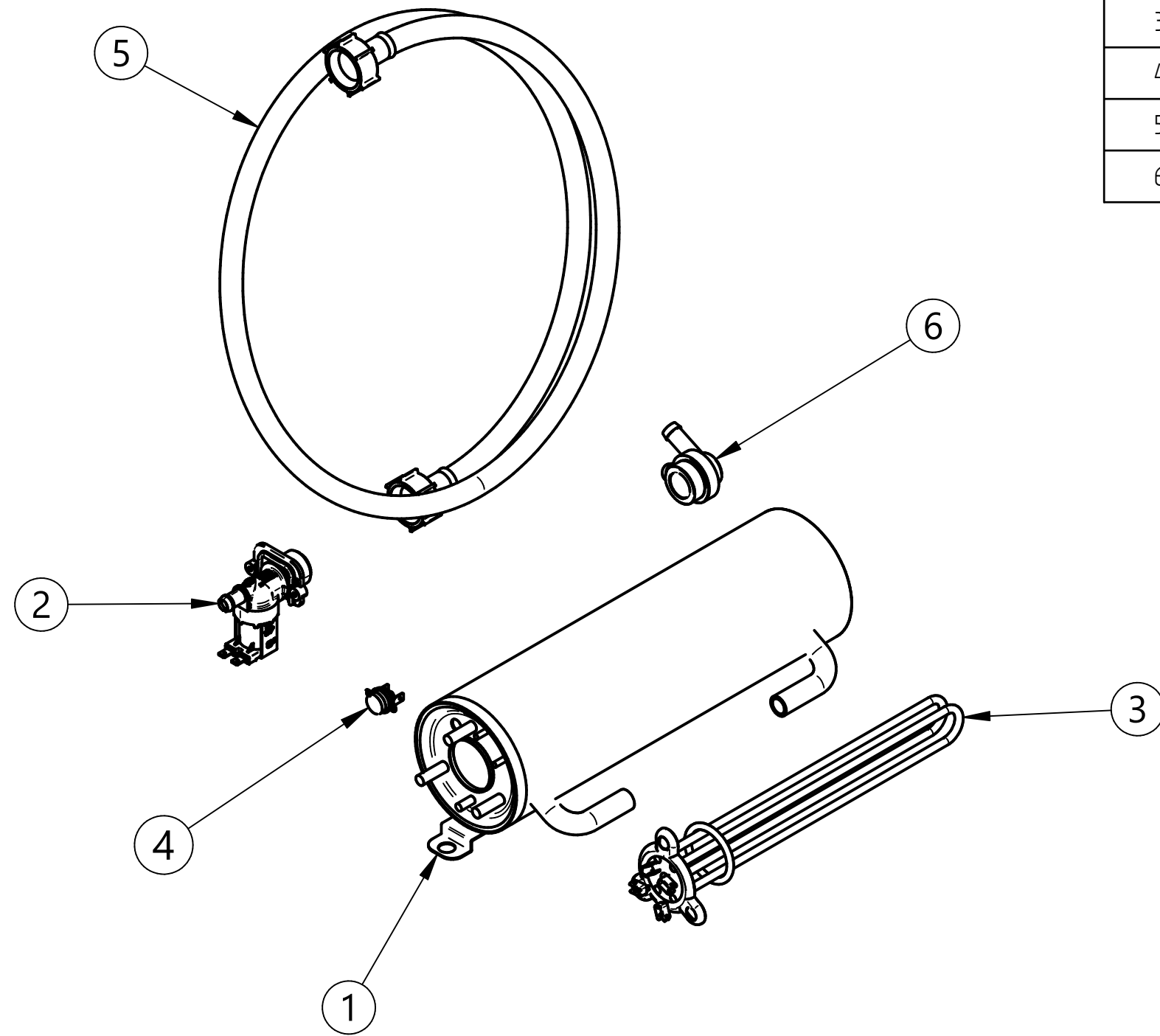
ELECTRONICS



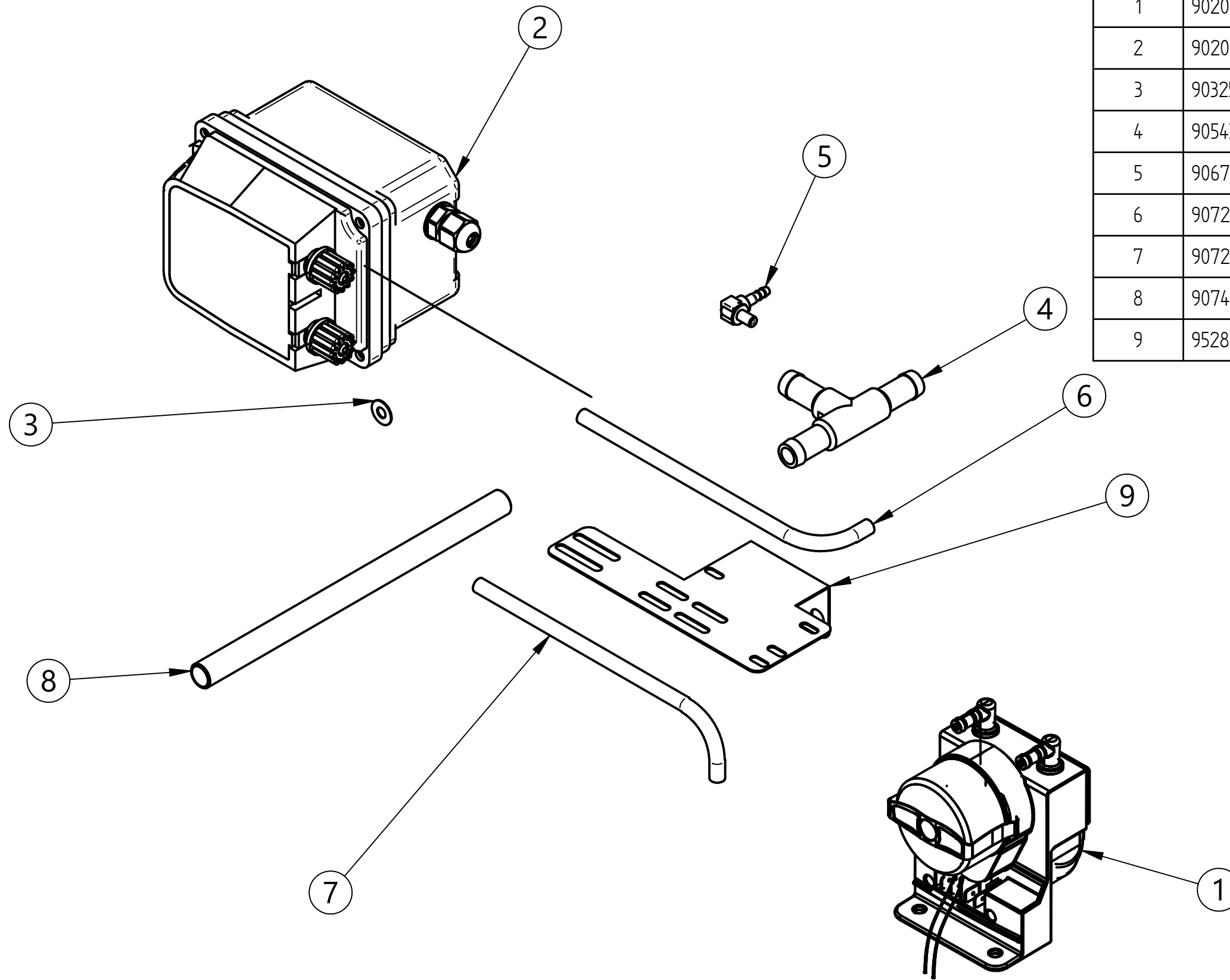
Item number	Code	Description	Quantity
1	909603_A	PLATE N750 EVO3 GGM	1
2	902437_A	PLATE HOLDER N700 EVO 3 IMPERIAL	1
3	909366_A	FRONT BOARD SPACER H=10MM	6
4	901914_A	FRONT BOARD EVO3 ELCA	1
5	902302_A	BASE BOARD INSULATOR EVO2/3 ELCA 200X100	1
6	907304_A	BOARD EVO2/3 BASE ELCA 7 RELAYS	1
7	902193_A	ELECTRIC TIMER SPACER	4
8	907190	SWITCHER 9A 230V WITH LOVATO ACTUATOR	1
9	909285_A	MAGNETIC REED FOR ELECT. DISHWASHERS	1
10	902107_A	ANTI-NOISE THREE-PHASES FILTER	1
11	905262_A	AIR TRAP 90MM CLEAR GRAY	1
12	905264_A	PRESSOSTAT 35/17	2
13	907455_A	PRESSOSTAT PIPE 5X8 PVC BLACK	1
14	903260_A	SEALER 3/8 AIR TRAP	1

HY-NRG

Item number	Code	Description	Quantity
1	900385_A	BOILER 600-700-N45-N50-N90 -E45-E50 5LT. +RES.3.5KW	1
2	902390_A	1-WAY ELECTROVALVE $\phi 10$	1
3	905569_A	BOILER RESIST. 3.5KW 230V +OR	1
4	907297_A	SAFETY THERMOSTAT 110° PAD	1
5	907348_A	CHARGING PIPE 90° 1500MM S 800 HW	1
6	TR2433_A	NO-RETURN VALVE	1



DISPENSER



Item number	Code	Description	Quantity
1	902053_A	PERISTALTIC SOAP DISPENSER SEKO NO REG.	1
2	902095_A	PERISTALTIC RINS DISPENSER SEKO NO REG.	1
3	903253_A	SEALING FOR DIS/VENT PS CONNECTION	2
4	905434_A	3-WAYS JOINT DISPENSER ON PUMP	1
5	906708_A	COMPLETE VENT CONNECTION PS COMPLETO	1
6	907278_A	RED CRYSTAL PIPE 4X6	1
7	907279_A	SILICONE PIPE 4X7	1
8	907456_A	INOX WEIGHT 190 mm RINS/SOAP PIPE	2
9	952820_A	DOUBLE DISPENSER SUPPORT	1