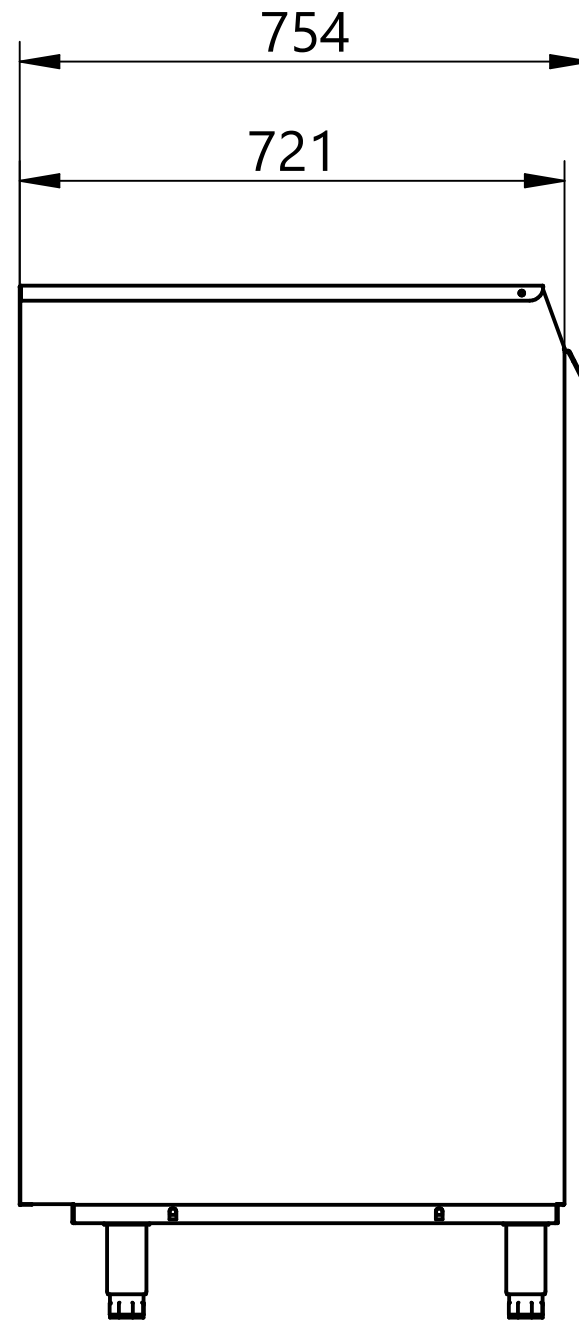
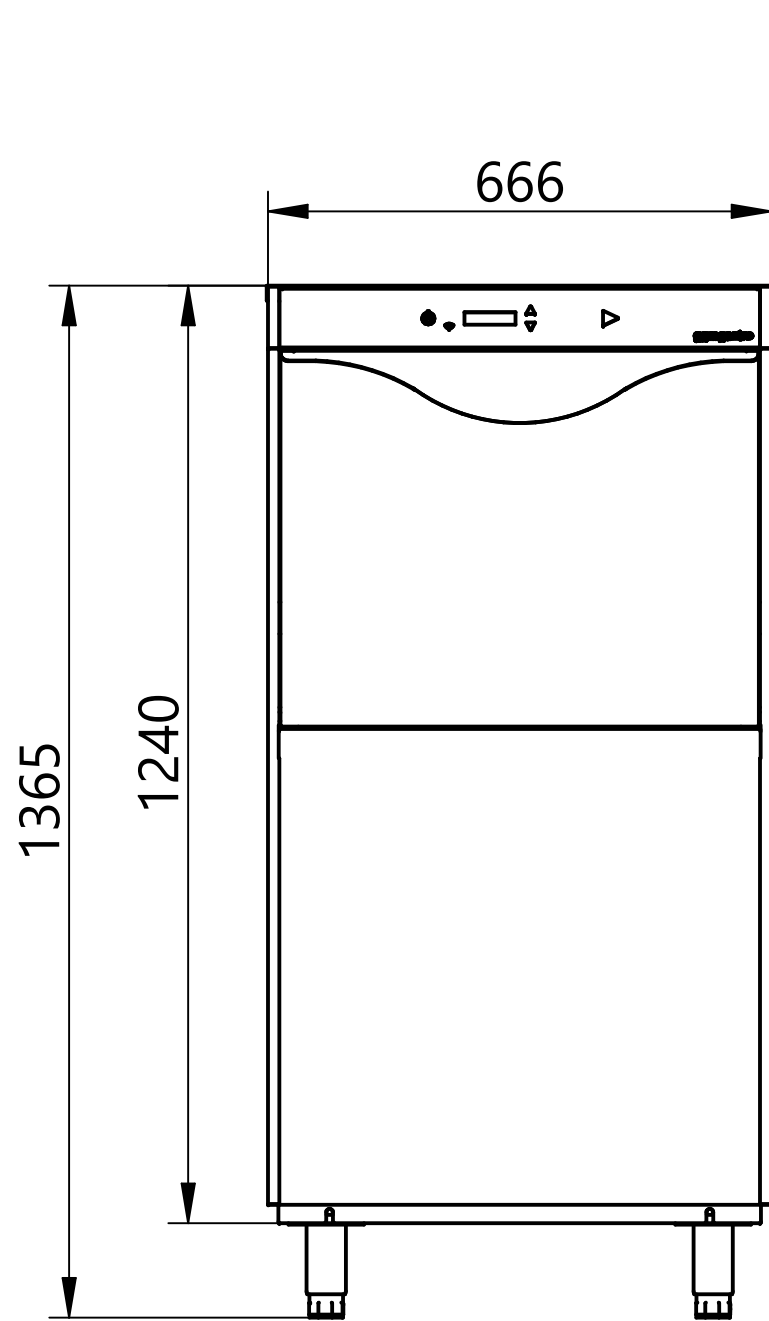


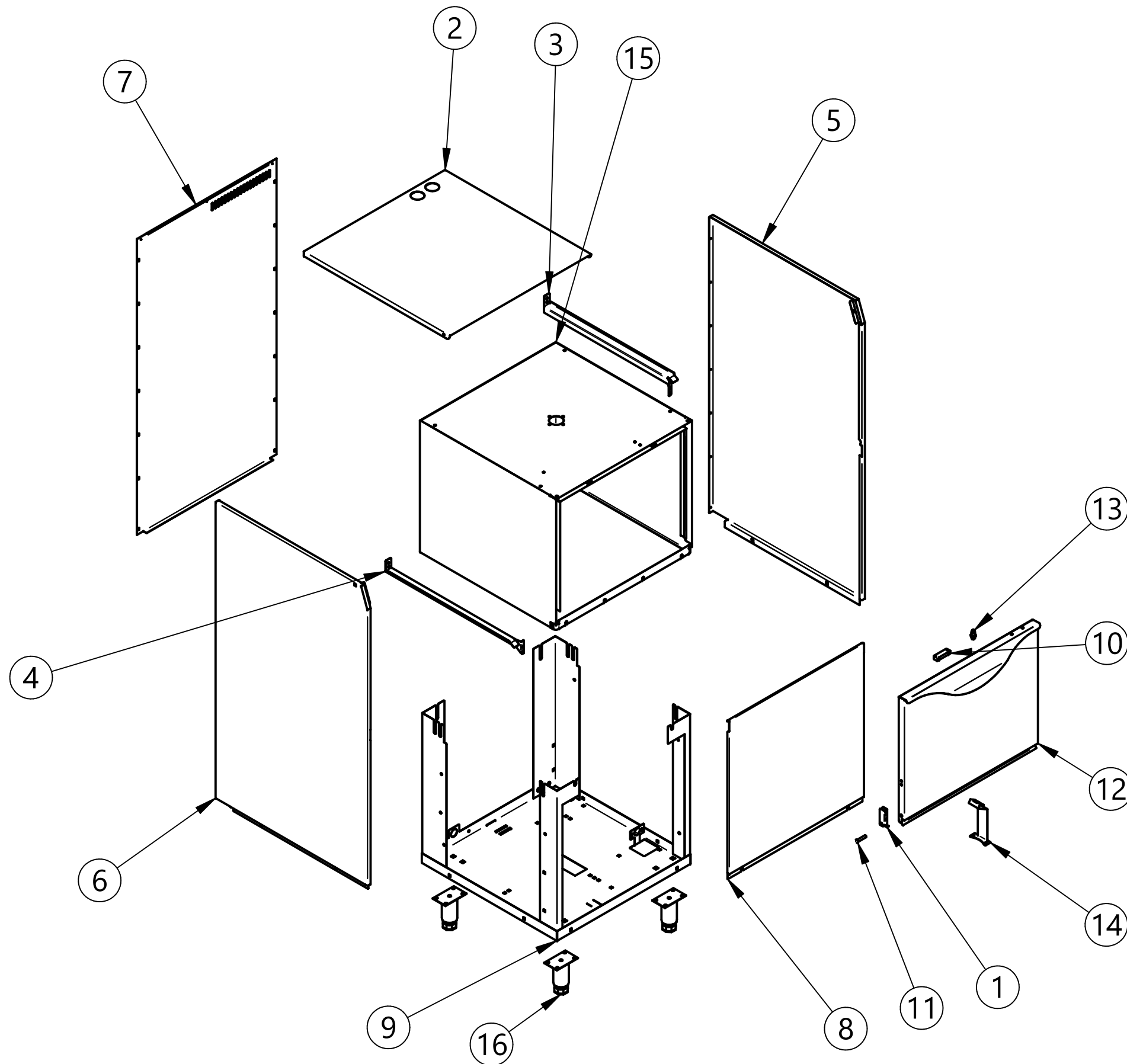
# EXV092 - Exploded View - GGM - N800H



Chapter	Description	Page
1	CABINET AND PANELS	2
2	WASHING SYSTEM	3
3	SPRAY ARMS	4
4	ELECTRONICS	5
5	DISPENSER	6
6	BOILER	7
7	DRAIN PUMP	8

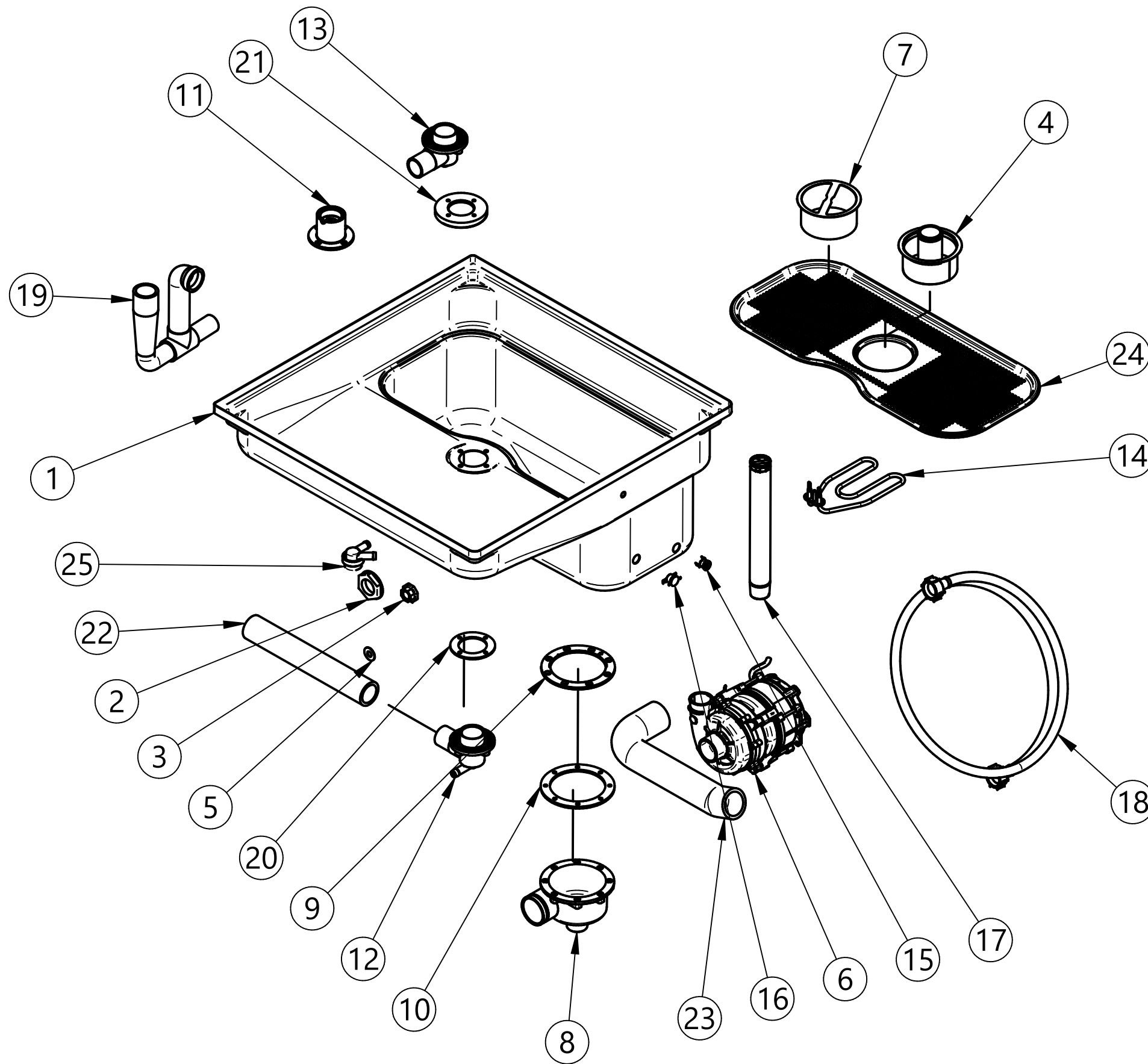


# CABINET & PANELS



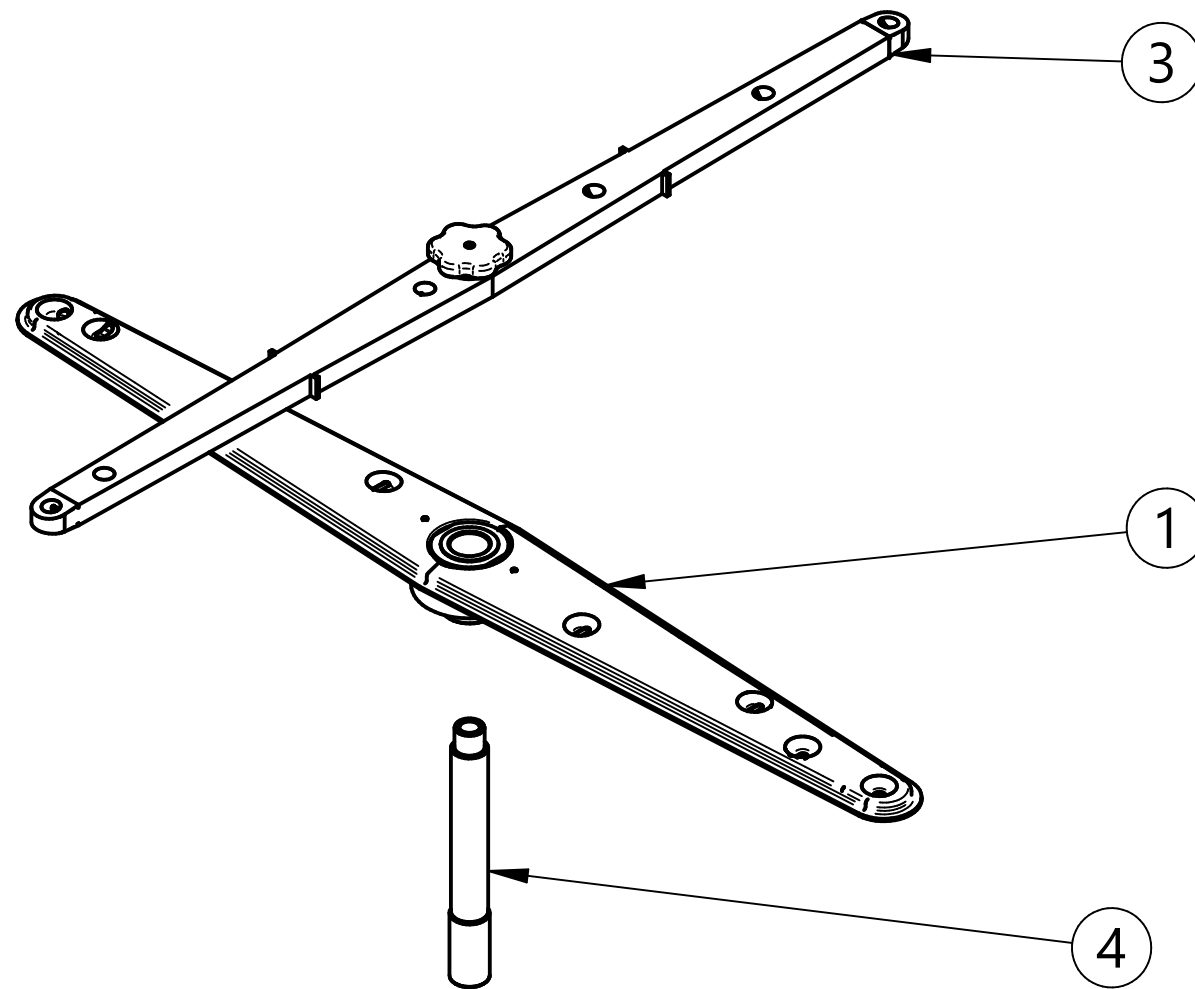
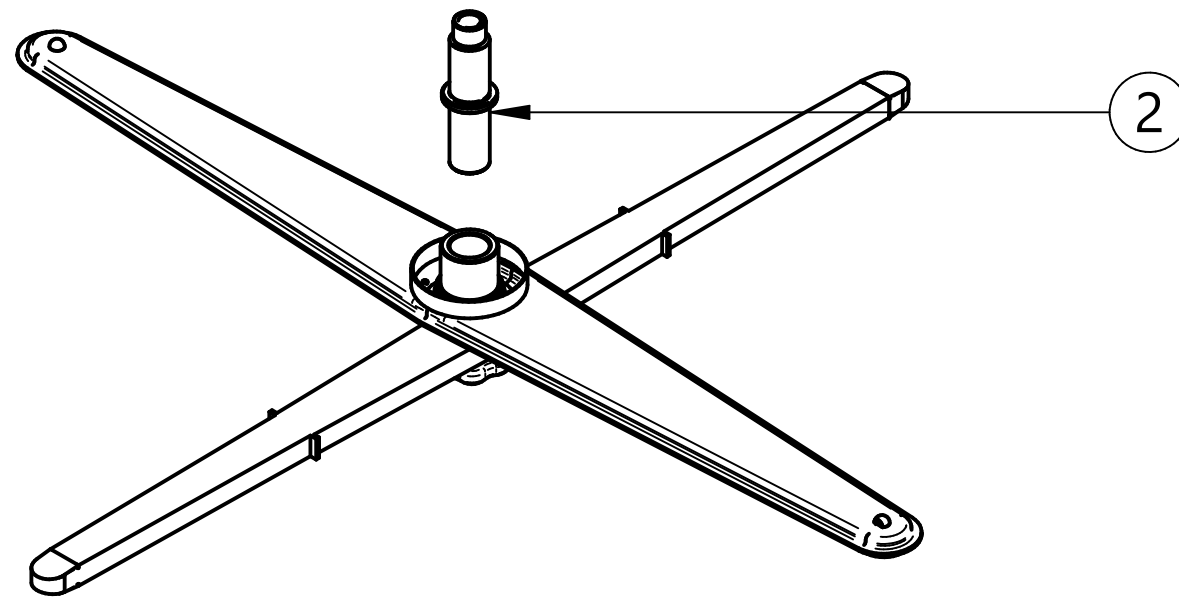
Item number	Code	Description	Quantity
1	901245	HINGE FOR DISHWASHER DOOR	2
2	901345	HOOD N800H WITH CHIMNEYS	1
3	901626_A	RH BASKET-HOLDER GUIDE N800H	1
4	901627_A	LH BASKET-HOLDER GUIDE N800H	1
5	902605_A	RH SIDE PANEL N800H	1
6	902606_A	LH SIDE PANEL N800H	1
7	902607	BACK PANEL N800H	1
8	902608	LOWER PANEL N800H IMPERIAL	1
9	903356	WELDED BASEMENT N800	1
10	903651_A	MAGNET + FRONTAL COVER	1
11	904795_A	PIN FOR DOOR	2
12	905190	DOOR N800 2012 W. WAVE INOX HANDLE	1
13	906121_A	LOCKER WITH WHEEL AND M12 NUT	2
14	906361	PUMP SUPPORT N1000	1
15	908314	HOOD N800H	1
16	TR0861_B	FOOT 1 1/2	4

# WASHING SYSTEM



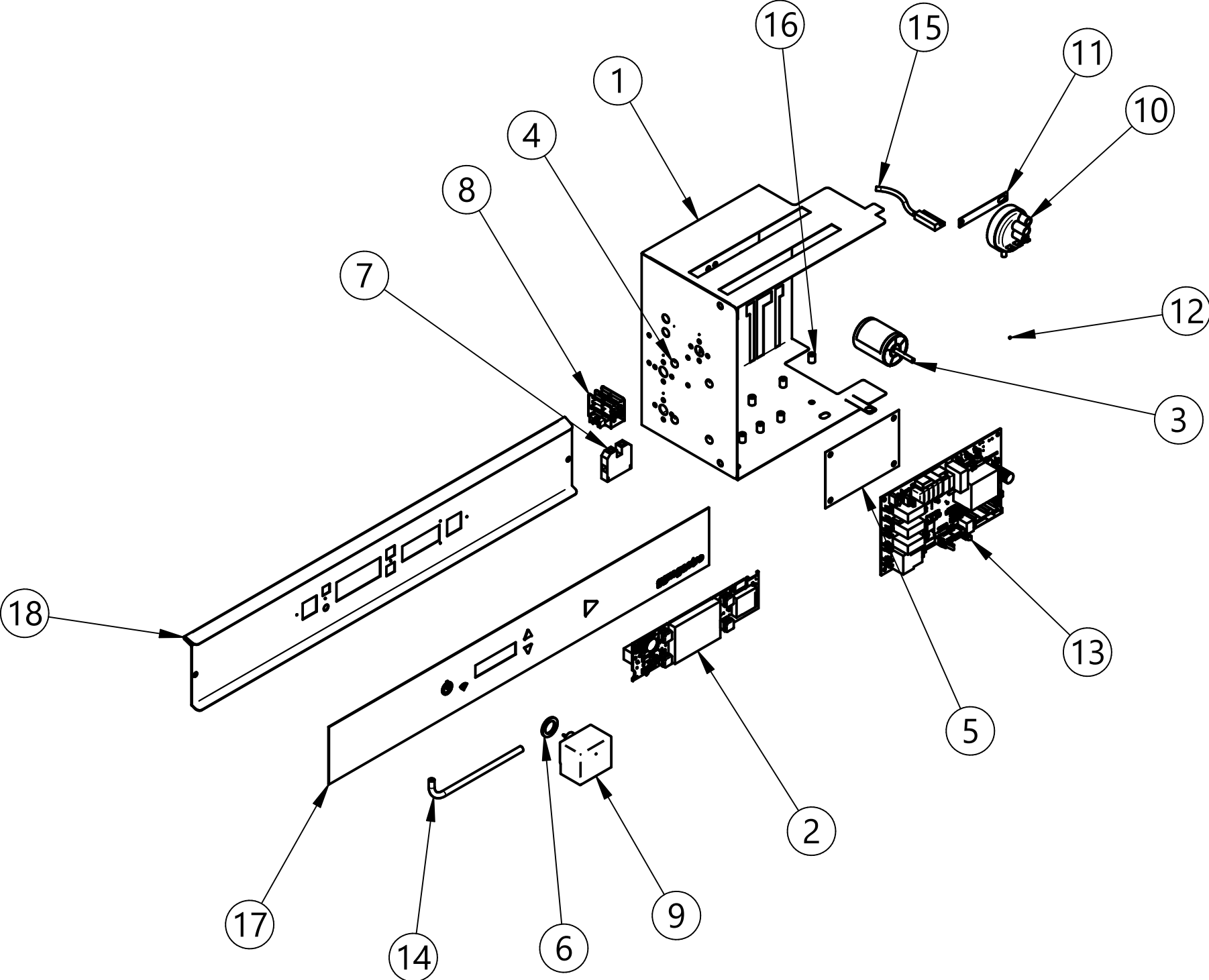
Item Number	Code	Description	Quantity
1	900078	TUB NE1000 - N800 H=190mm	1
2	902070_A	RING FOR DRAIN CONNECTION 1" GAS	1
3	902111_A	RING 3/8" PPL	2
4	902398_A	FILTER W. CYL. PPL H80MM Ø98MM	1
5	903412_A	FIBER SEALER FOR SOAP HOLE ON PUMP	2
6	903493_A	PUMP 0.52KW SX 230/1/50	1
7	904898	INOX FILTER NO CYL. Ø98MM	1
8	905237_A	ENLARGED PIT FILTER Ø55	1
9	905238_B	ENLARGED PIT FLANGE	1
10	905378_B	PIT SEALER NEW 2013	1
11	905388_A	LOWER JOINT WASHING	1
12	905449_A	LH WASHING HUB	1
13	905456_A	RH WASHING HUB DISHWASHER	1
14	905745_A	TUB RESIST. 2,5KW 230V	1
15	907243_A	SAFETY THERMOSTAT 95° PAD	1
16	907244	TUB THERMOSTAT 55° PAD	1
17	907342_A	TOO-FULL PIPE N1000 2014	1
18	907440_A	DRAIN PIPE Ø24 1500MM	1
19	907628_A	OUTLET WASHING SLEEVE N800	1
20	908141_C	SEALER FOR WASHING CONNEX.	2
21	908154_A	UPPER HUB FLANGE DISHWASHER	1
22	908712_B	LOWER OUTLET SLEEVE N1000-N1300	1
23	908742_A	SUCTION SLEEVE E100/N1000 SHORT TUB	1
24	959785_A	SURF. FILTER FOR TUB W. HOLE	1
25	TR2433_A	NO-RETURNE VALVE	1

# SPRAY ARMS



Item number	Code	Description	Quantity
1	903107_A	WASHING SPRAY ARM WITH HUB 4	2
2	904799_A	UPPER WASHING PIN N600/N700/N45/N50	1
3	907958.204	RINSING SPRAY ARM GROUP PLASTIC 4	2
4	908734_A	LOWER WASHING PIN N1000	1

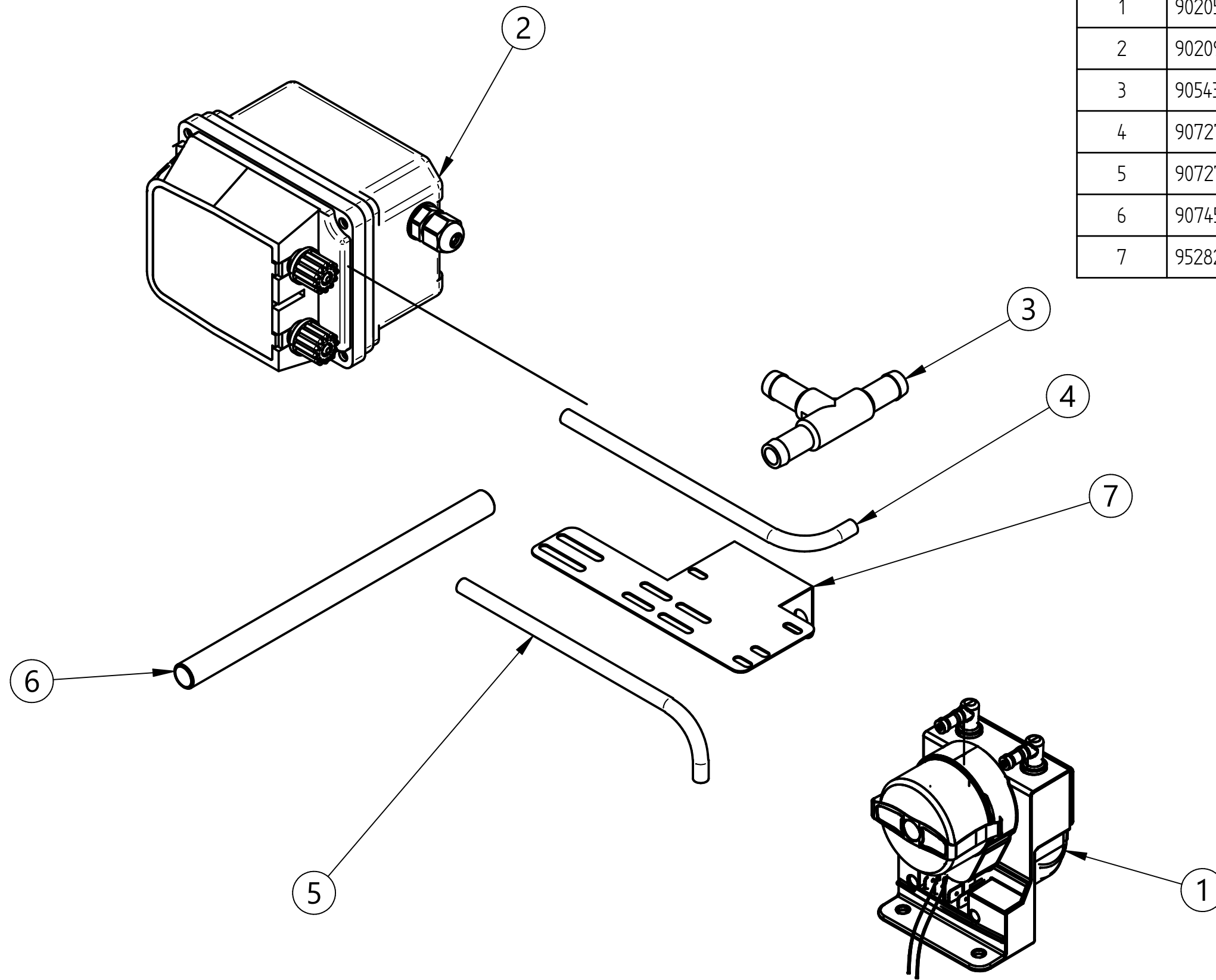
# ELECTRONICS



Item number	Code	Description	Quantity
1	901446 _E	UNIFIED CAPOT ELECTRIC BOX	1
2	901914_A	EVO3 ELCA FRONTAL BOARD	1
3	902107_A	THREE-PHASE EMI FILTER	1
4	902193_A	ELECTRONIC TIMER SPACER	4
5	902302_A	BOARD INSULATOR EVO2/3 ELCA 200X100	1
6	903260_A	SEALER 3/8 AIR TRAP	2
7	903376_A	GROUND CLAMP TEC.16/0	1
8	904164_A	3-POLES CLAMP W. SHOULDER	1
9	905273_A	AIR TRAP 45MM WHITE	1
10	905275_A	PRESSOSTAT 35-90	1
11	906994_C	PRESSOSTAT SUPPORT INVENSIS-BITRON	1
12	907190	CONTACTOR 9A 230V WITH LOVATO ACTUATOR	1
13	907304_A	BASE BOARD EVO2/3 ELCA 7 RELAYS	1
14	907455_A	PRESSOSTAT PIPE 5X8 PVC BLACK	1
15	909105_A	MAGNETIC REED N1000-N1300	1
16	909366_A	FRONTAL BOARD SPACER H=10MM	6
17	909610_A	PLATE N800 EVO3 GGM	1
18	952043_A	INCLINED PLATE-HOLDER N800 EVO3	1

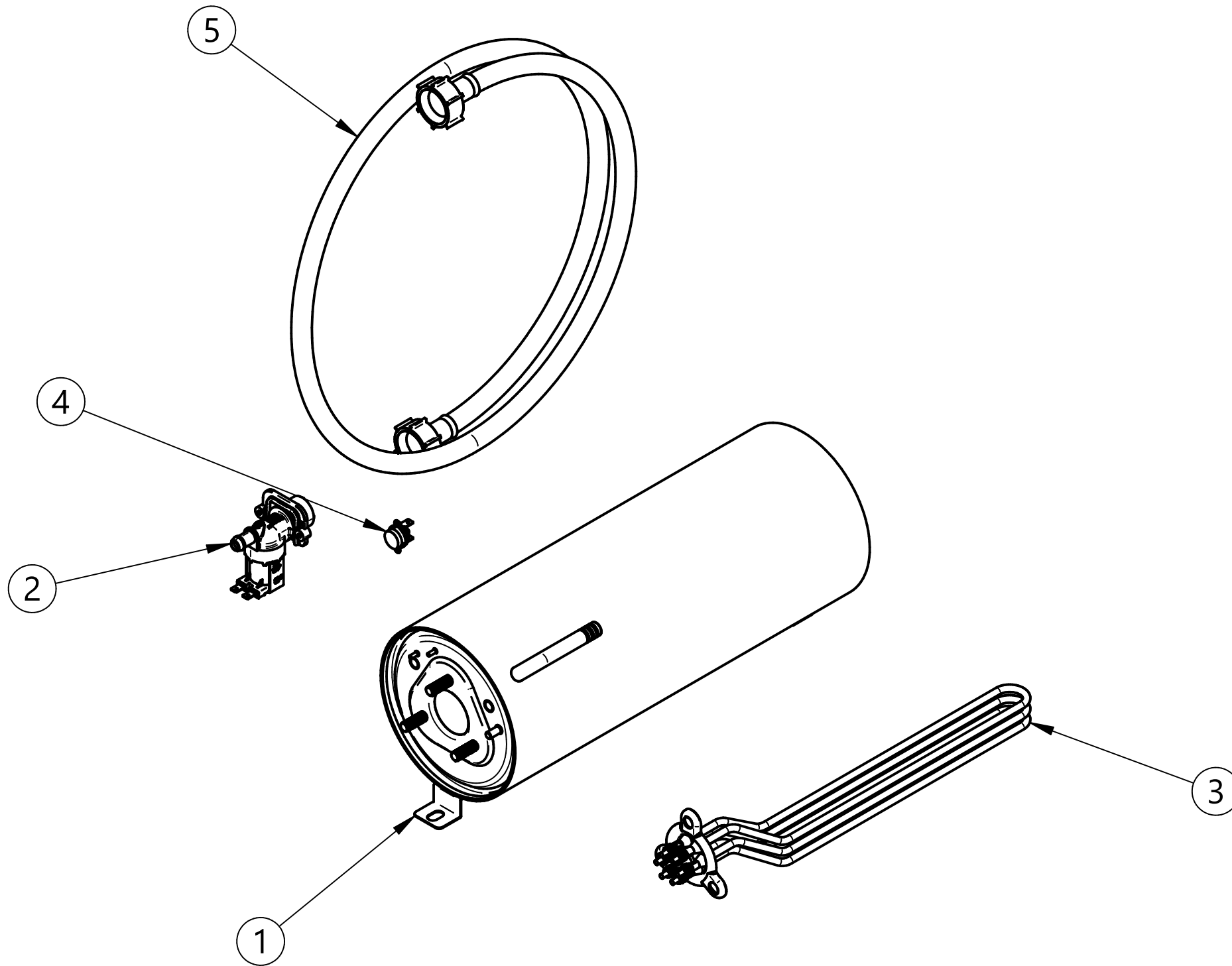
# DISPENSER

Item number	Code	Description	Quantity
1	902053_A	PERISTALTIC SOAP DISPENSER SEKO NO REG.	1
2	902095_A	PERISTALTIC RINS DISPENSER SEKO NO REG.	1
3	905434_A	3-WAYS JOINT DISPENSER ON PUMP	1
4	907278_A	RED CRYSTAL PIPE 4X6	1
5	907279_A	SILICONE PIPE 4X7	1
6	907456_A	INOX WEIGHT 190 mm RINS/SOAP PIPE	2
7	952820_A	DOUBLE DISPENSER SUPPORT	1



# BOILER

Item Number	Code	Description	Quantity
1	900378_A	BOILER N45-N50-N1000-N1300-NE 7LT. +RES.6KW Ø150	1
2	902390_A	1-WAY ELECTROVALVE Ø10	1
3	905570_A	BOILER RESIST. 6KW 230V +OR	1
4	907297_A	SAFETY THERMOSTAT 110° PAD	1
5	907347_A	CHRGING PIPE 90° 2000MM S 800 HW	1



# DRAIN PUMP

Item Number	Code	Description	Quantity
1	903270_A	DRAIN PUMP 220V 50HZ 36W Type P60	1
2	907439_A	DRAIN PIPE $\phi$ 19 90° 2000MM PS	1

