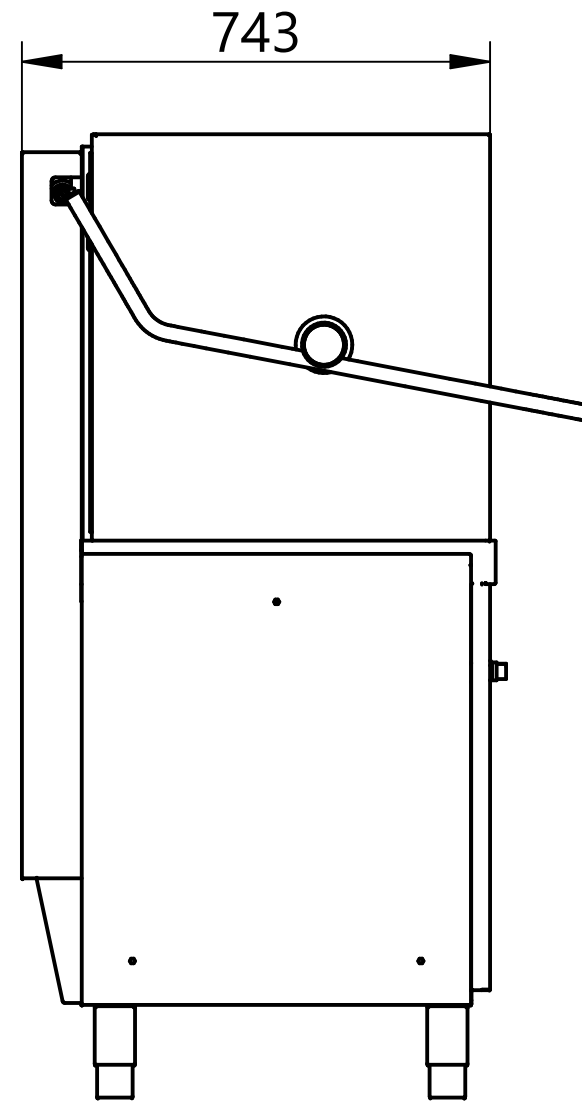
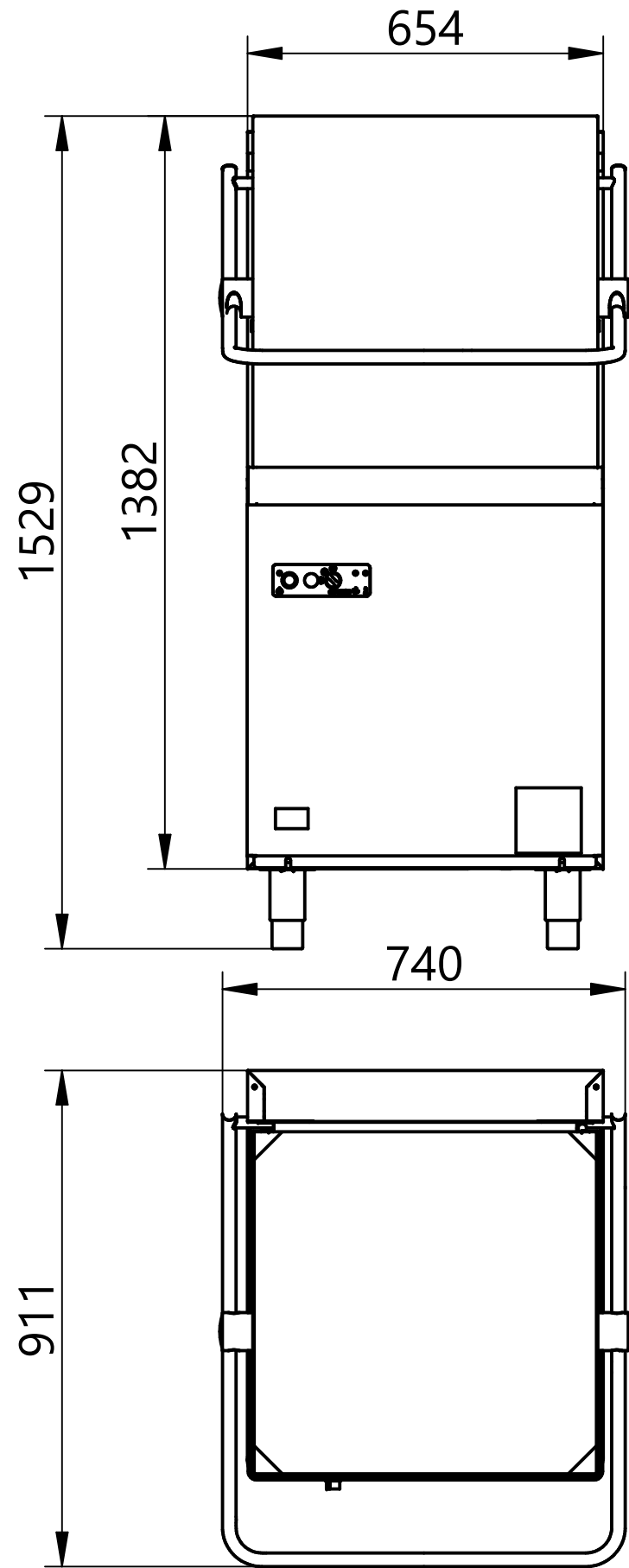
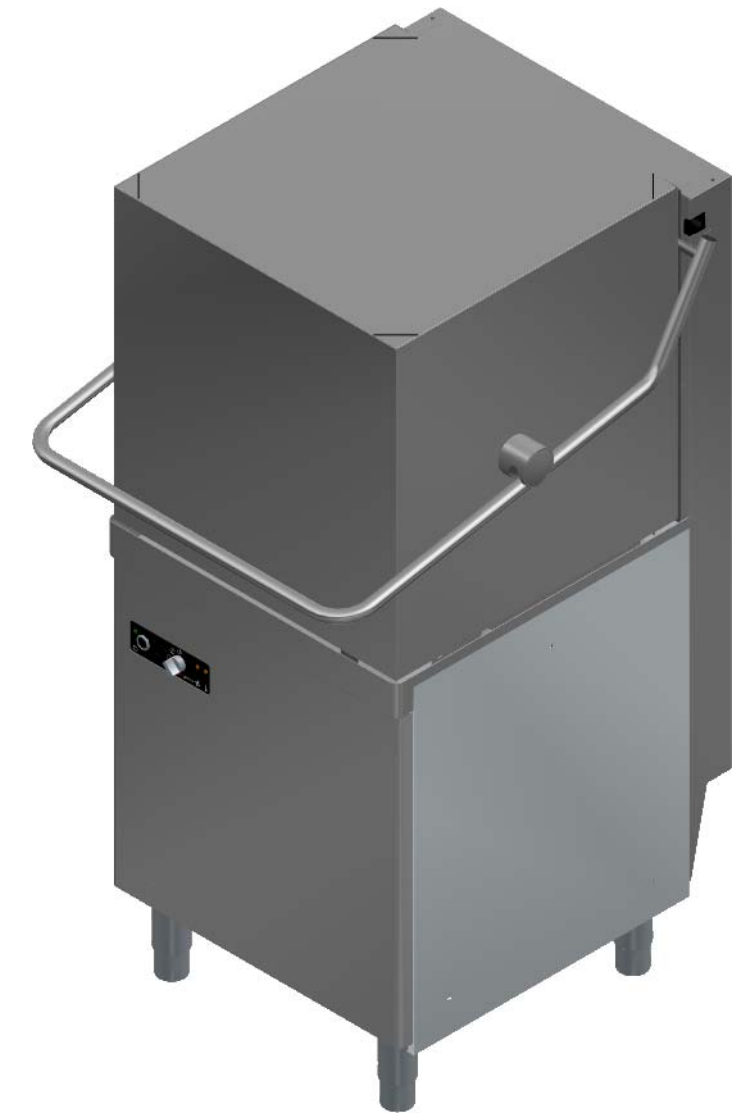


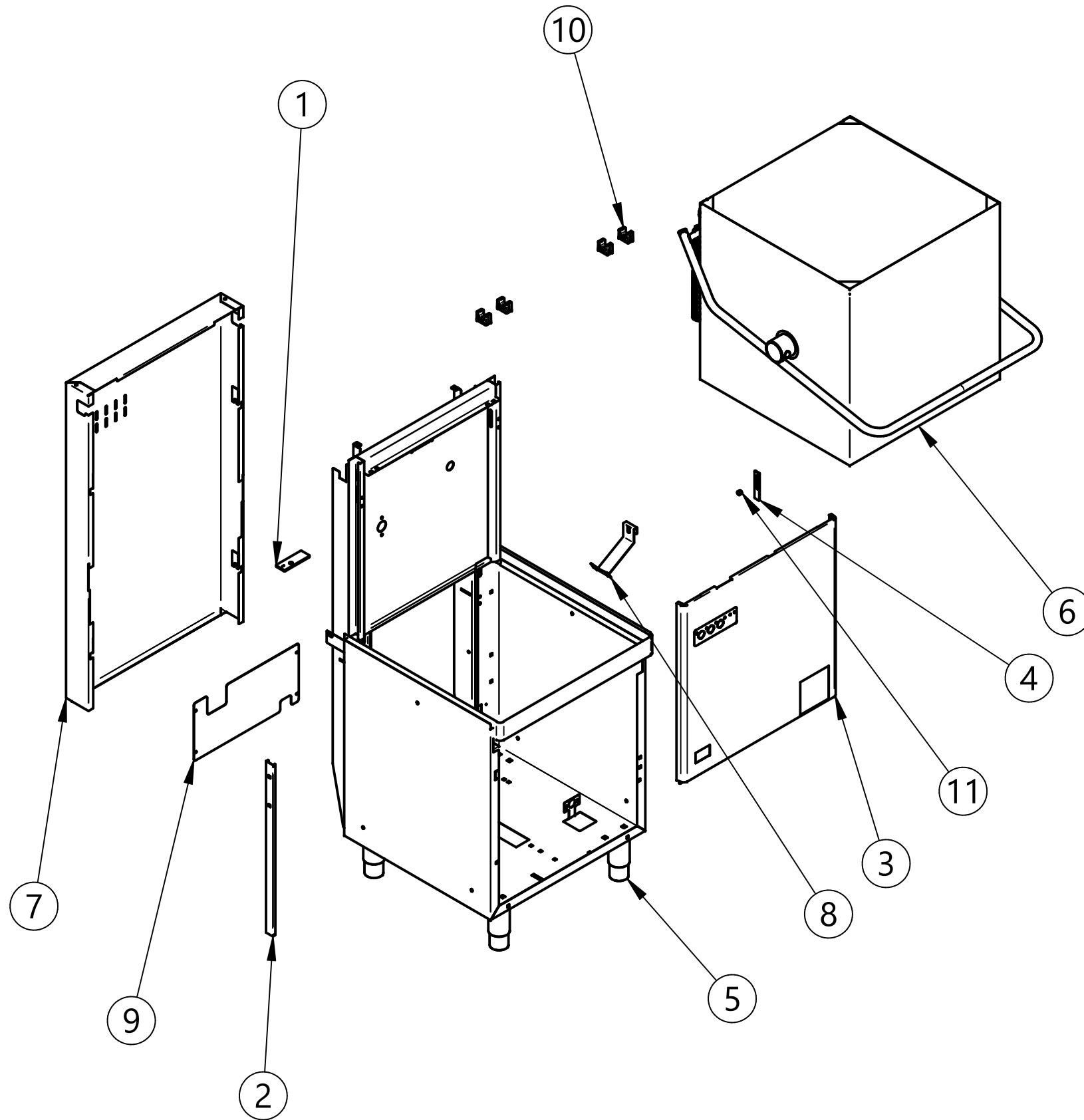
EXV093 - Exploded View - GGM - NE1000



| Chapter | Description | Page |
|---------|--------------------|------|
| 1 | CABINET AND PANELS | 2 |
| 2 | HOOD | 3 |
| 3 | WASHING SYSTEM | 4 |
| 4 | SPRAY ARMS | 5 |
| 5 | ELECTRONICS | 6 |
| 6 | DISPENSER | 7 |
| 7 | BOILER | 8 |
| 8 | DRAIN PUMP | 9 |

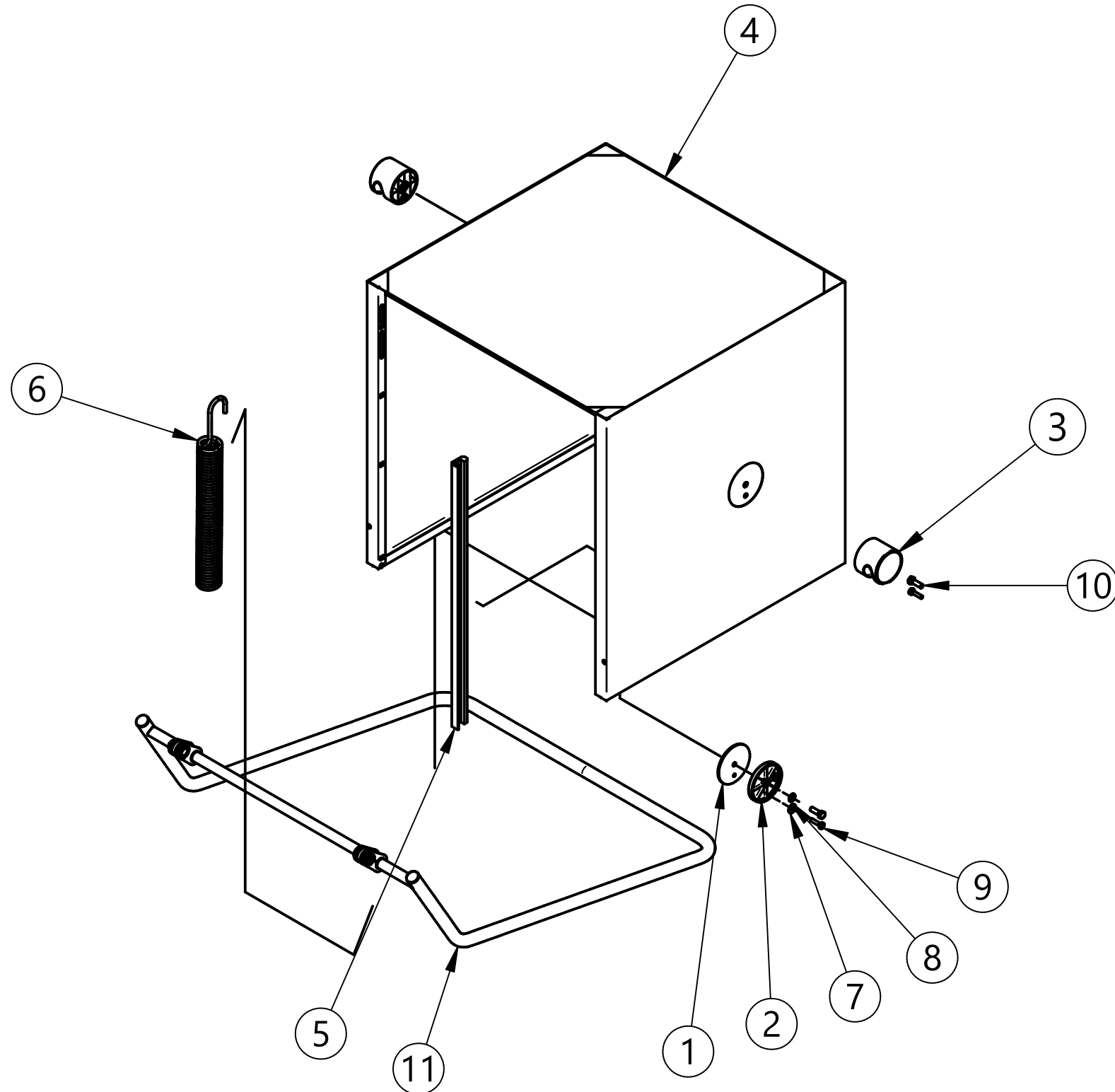


CABINET & PANELS



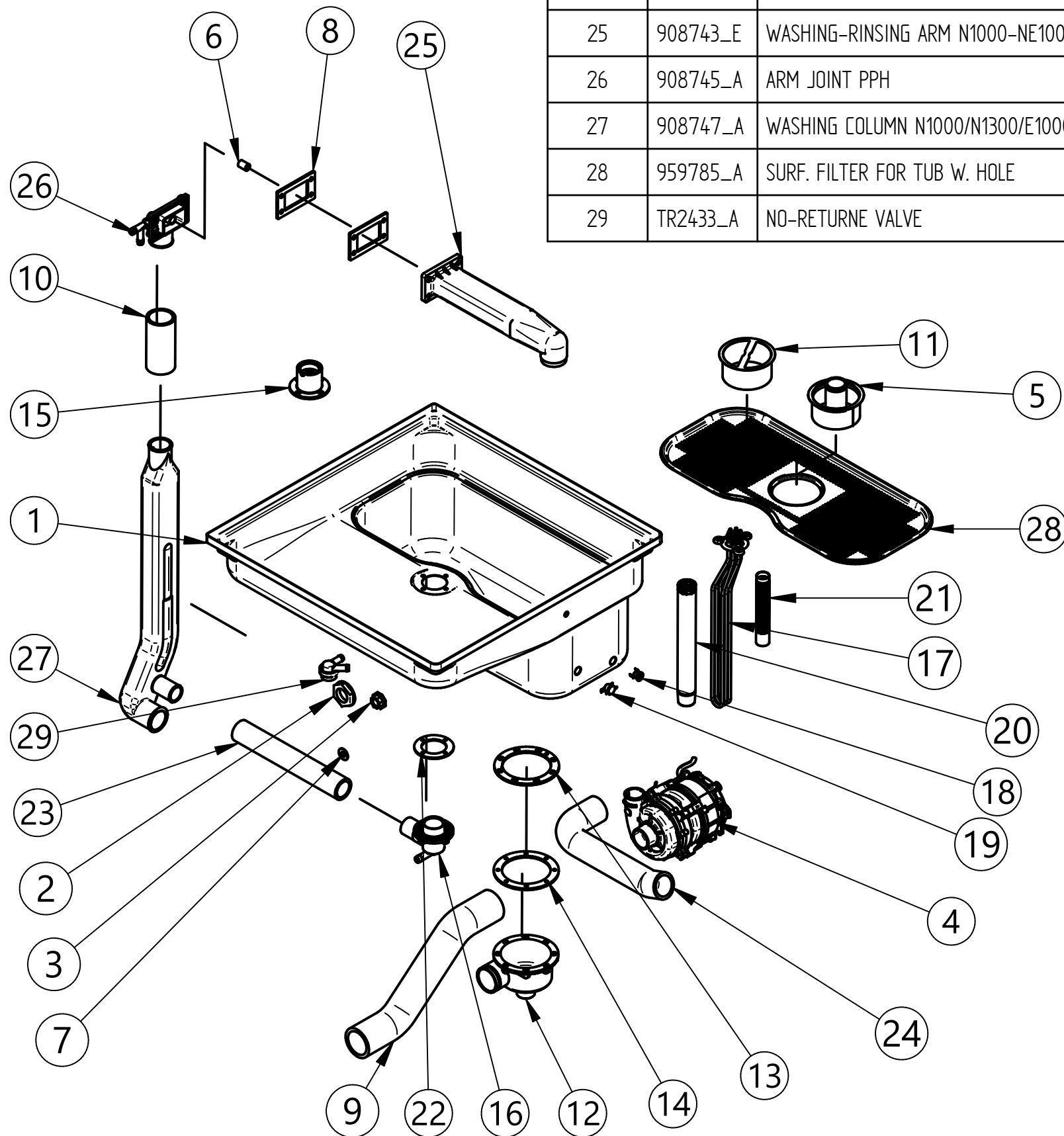
| Item number | Code | Description | Quantity |
|-------------|-------------|--|----------|
| 1 | 902131 | PLATE FOR SPRING TIGHTENING N1300 SLIM | 2 |
| 2 | 902897 | BEAM SUPP. FOR PUMP CAPOT SLIM | 1 |
| 3 | 902904 | COM. FRONT PANEL CAPOT SLIM | 1 |
| 4 | 902916 | DOOR BLOCK - CAPOT SLIM | 2 |
| 5 | 903428_A | PRE-ASSEMBLED KIT NE1000 | 1 |
| 6 | 905972.3020 | HOOD CAPOT SLIM MOD. NE GGM | 1 |
| 7 | 906324_B | BACK PANEL CAPOT 2023 | 1 |
| 8 | 906361 | PUMP SUPPORT N1000 | 1 |
| 9 | 908670 | LOWER BACK PANEL N1000 - N1300 - N1000B - N1300B | 1 |
| 10 | 908703_B | HANDLING BUSH | 4 |
| 11 | 908726_B | SPACER FOR CAPOT N1000-N1300 | 2 |

HOOD



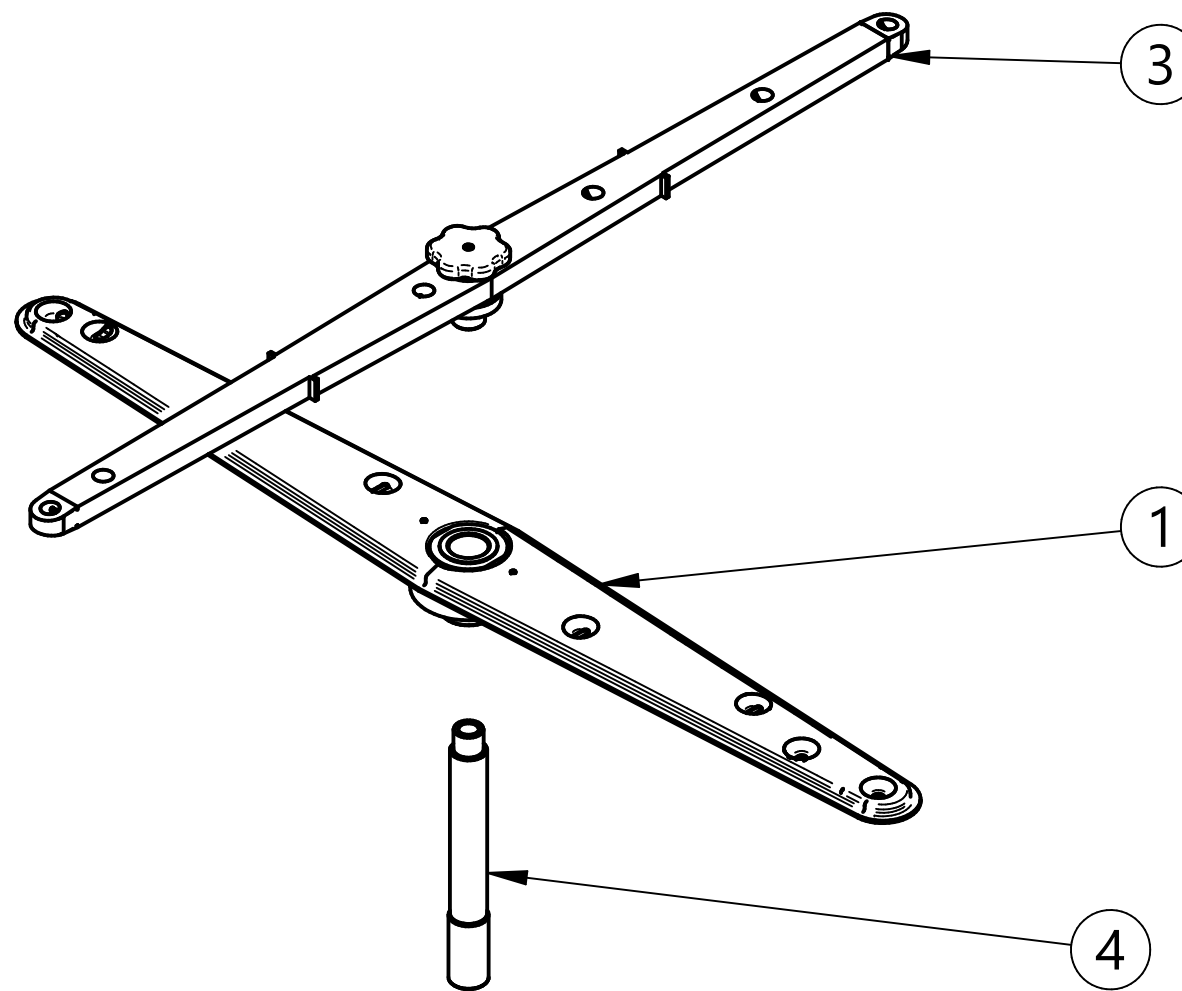
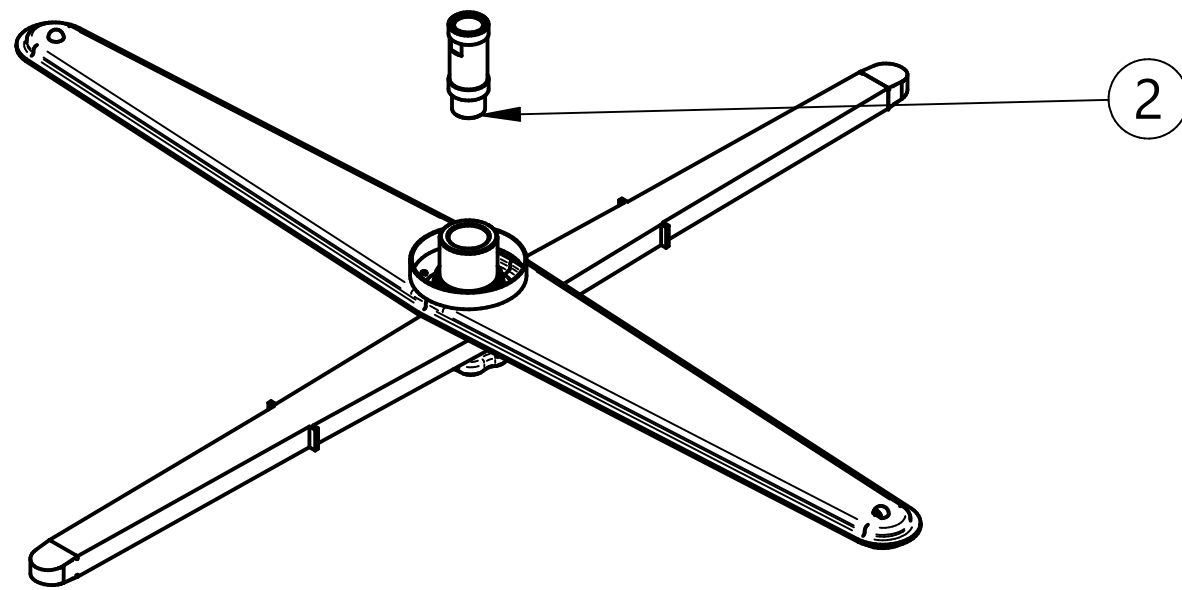
| Item number | Code | Description | Quantity |
|-------------|----------|---|----------|
| 1 | 901606_B | SEALER FOR HANDLING CAPOT | 2 |
| 2 | 901607_A | SPACER FOR HANDLING SUPP.- CAPOT | 2 |
| 3 | 902615 | HANDLING SUPP. NEW CAPOT | 2 |
| 4 | 902898 | CAPOT SLIM COMPLETE - ST 21.01 | 1 |
| 5 | 903084_A | RH-LH SLINDIGN GUIDE CAPOT SLIM | 2 |
| 6 | 904137 | LIFTING SPRING CAPOT E1000-N1000-N1300 | 2 |
| 7 | 906035 | WASHER DIN 9021 - 6.4 - 100 HV - C | 2 |
| 8 | 906040_A | WASHER $\phi 8$ P. - DIN 125 | 2 |
| 9 | 907736 | SCREW ISO 4017 - M6 x 25 - A2-70 | 2 |
| 10 | 907826 | SCREW ISO 4017 - M8 x 25 - A2-70 | 2 |
| 11 | 909479_A | STRAIGHT HANDLING COMPLETE NE DIAM.25 X ROUND SUPP. | 1 |

WASHING SYSTEM



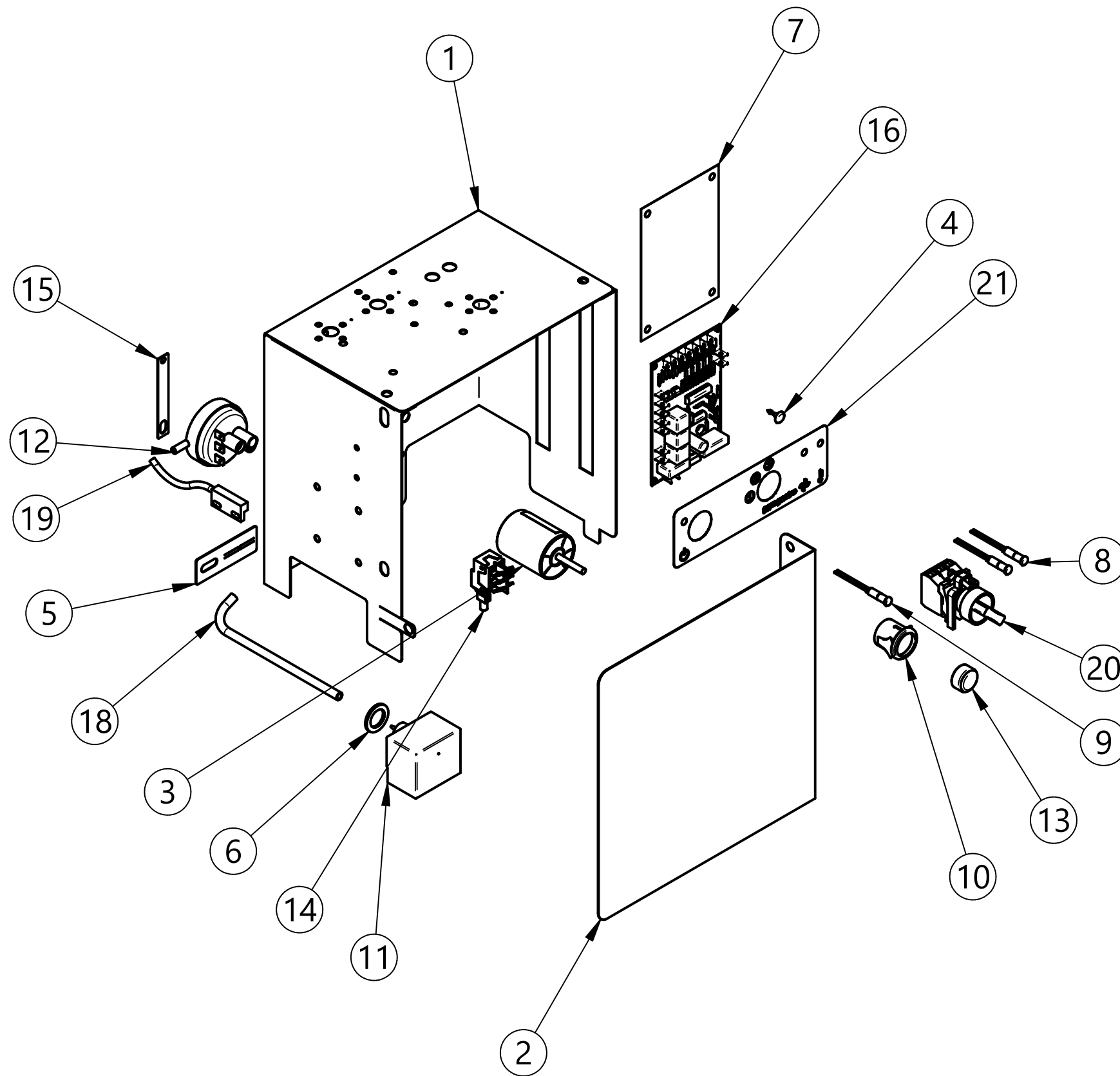
| Item Number | Code | Description | Quantity | Item Number | Code | Description | Quantity |
|-------------|----------|----------------------------------|----------|-------------|----------|-------------------------------------|----------|
| 25 | 908743_E | WASHING-RINSING ARM N1000-NE1000 | 1 | 1 | 900078 | TUB NE1000 - N800 H=190mm | 1 |
| 26 | 908745_A | ARM JOINT PPH | 1 | 2 | 902070_A | RING FOR DRAIN CONNECTION 1" GAS | 1 |
| 27 | 908747_A | WASHING COLUMN N1000/N1300/E1000 | 1 | 3 | 902111_A | RING 3/8" PPL | 2 |
| 28 | 959785_A | SURF. FILTER FOR TUB W. HOLE | 1 | 4 | 902236_A | PUMP 0.52KW SX 230/1/50 | 1 |
| 29 | TR2433_A | NO-RETURNE VALVE | 1 | 5 | 902398_A | FILTER W. CYL. PPL H80MM Ø98MM | 1 |
| | | | | 6 | 903379_A | SEAL FOR RINSE ARM CONNEC. | 1 |
| | | | | 7 | 903412_A | FIBER SEALER FOR SOAP HOLE ON PUMP | 1 |
| | | | | 8 | 903413_B | EXT. SEALER FOR WASHING COLUMN | 2 |
| | | | | 9 | 903697_A | OUTLET SLEEVE N1000 2014 | 1 |
| | | | | 10 | 903706_A | HOOD OUTLET SLEEVE 120mm | 1 |
| | | | | 11 | 904898 | INOX FILTER NO CYL. Ø98MM | 1 |
| | | | | 12 | 905237_A | ENLARGED PIT FILTER Ø55 | 1 |
| | | | | 13 | 905238_B | ENLARGED PIT FLANGE | 1 |
| | | | | 14 | 905378_B | PIT SEALER NEW 2013 | 1 |
| | | | | 15 | 905388_A | LOWER JOINT WASHING | 1 |
| | | | | 16 | 905449_A | LH WASHING HUB | 1 |
| | | | | 17 | 905748_A | TUB RESIST. 3KW 230V | 1 |
| | | | | 18 | 907243_A | SAFETY THERMOSTAT 95° PAD | 1 |
| | | | | 19 | 907244 | TUB THERMOSTAT 55° PAD | 1 |
| | | | | 20 | 907342_A | TOO-FULL PIPE N1000 2014 | 1 |
| | | | | 21 | 907448_A | DRAIN PIPE Ø24-28 2000MM | 1 |
| | | | | 22 | 908141_C | SEALER FOR WASHING CONNEC. | 1 |
| | | | | 23 | 908712_B | LOWER OUTLET SLEEVE N1000-N1300 | 1 |
| | | | | 24 | 908742_A | SUCTION SLEEVE E100/N1000 SHORT TUB | 1 |

SPRAY ARMS



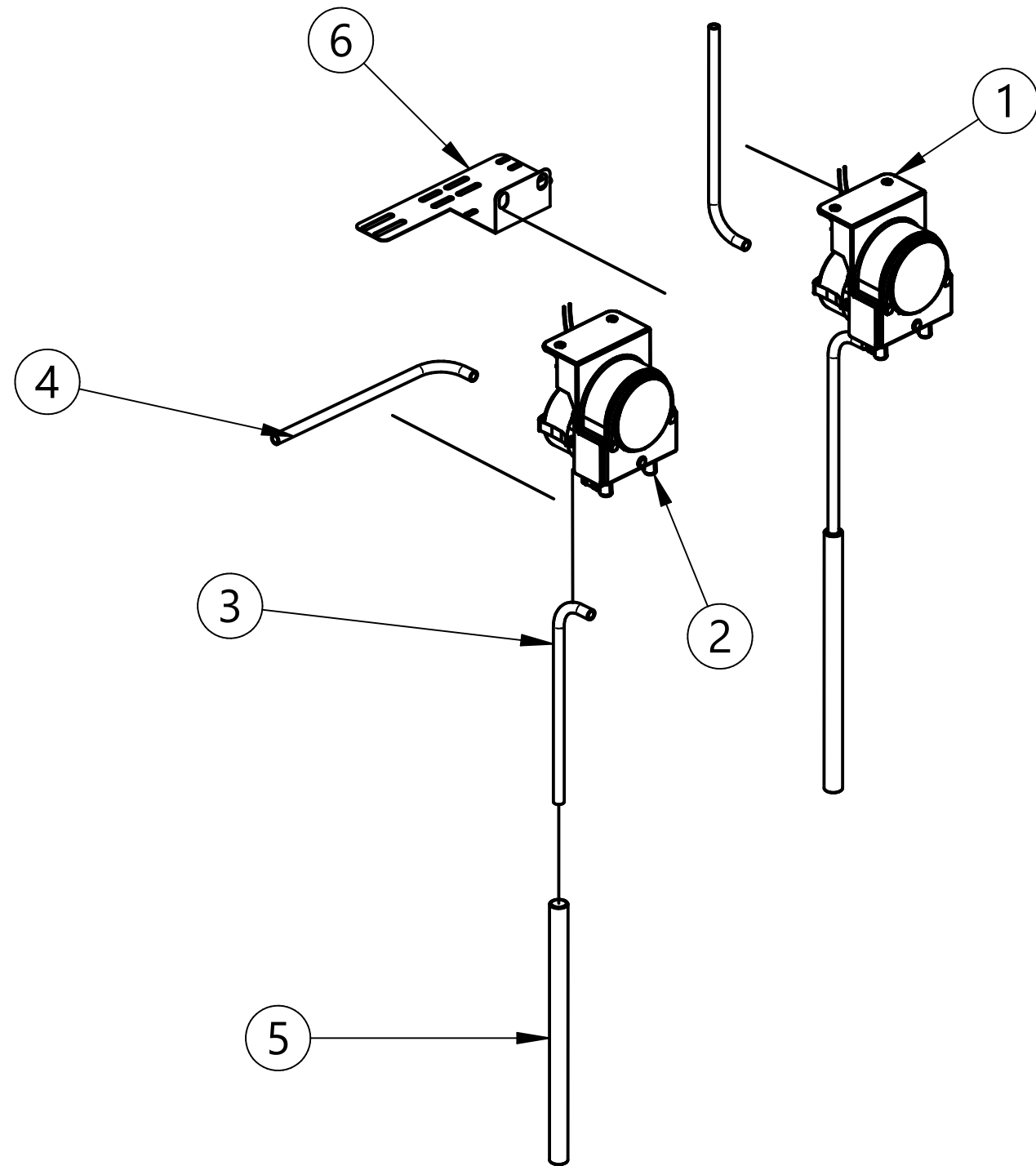
| Item number | Code | Description | Quantity |
|-------------|------------|--|----------|
| 1 | 903107_A | WASHING SPRAY ARM WITH HUB 4 | 2 |
| 2 | 904765 | UPPER/LOWER PIN FOR WASHING SPRAY ARM 32MM | 1 |
| 3 | 907958.204 | RINSING SPRAY ARM GROUP PLASTIC 4 | 2 |
| 4 | 908734_A | LOWER WASHING PIN N1000 | 1 |

ELECTRONICS



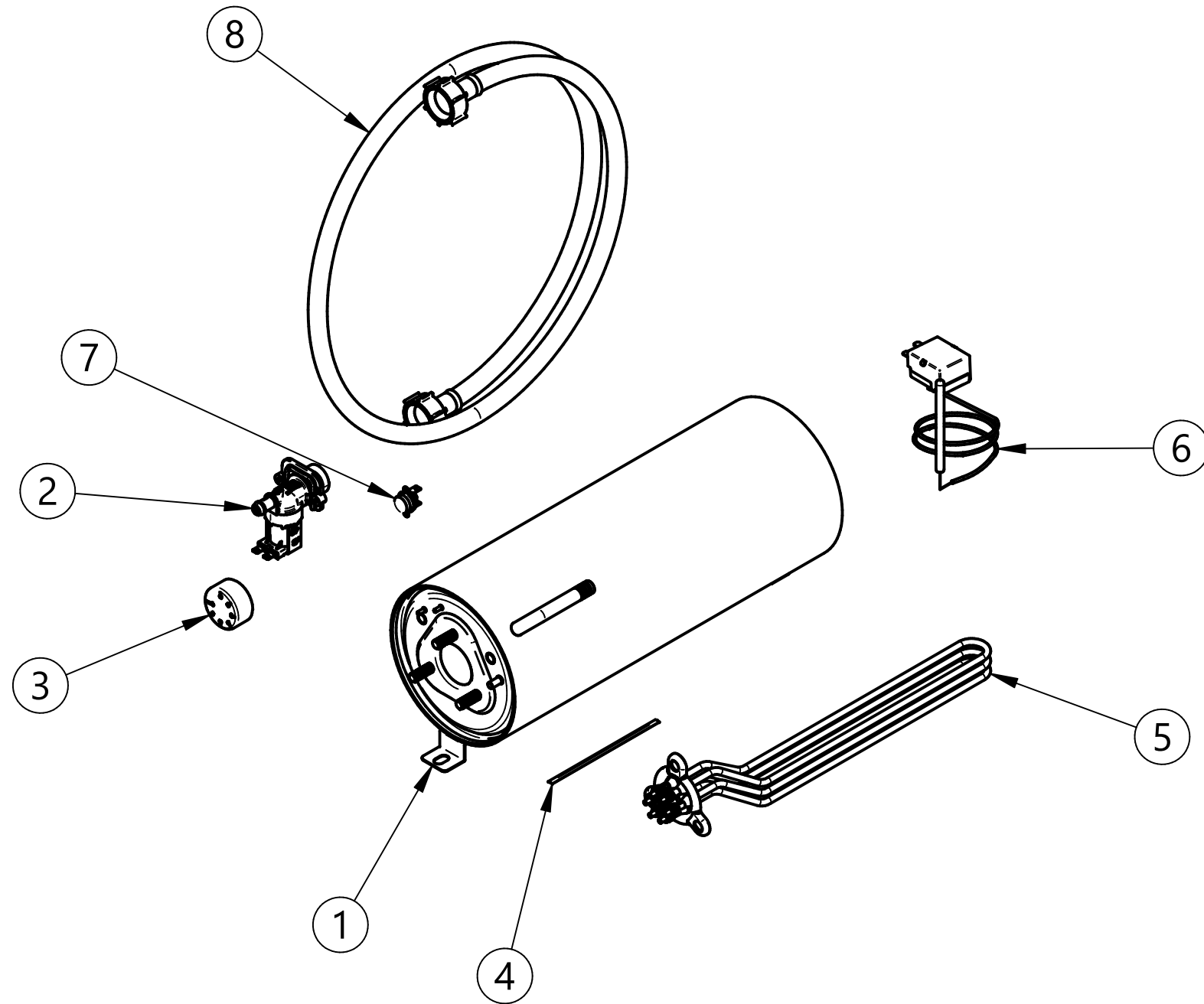
| Item number | Code | Description | Quantity |
|-------------|-----------|---|----------|
| 1 | 901446 _E | UNIFIED ELECTRIC BOX CAPOT | 1 |
| 2 | 901447_B | ELECTRIC BOX COVER | 1 |
| 3 | 902107_A | THREE-PHASES ANTI-NOISE FILTER | 1 |
| 4 | 902193_A | ELECTRIC TIMER SPACER | 4 |
| 5 | 902919 | REED SUPP. CAPOT SLIM | 1 |
| 6 | 903260_A | SEALER 3/8 AIR TRAP | 1 |
| 7 | 903623_A | BOARD INSULATOR 133 x 90 | 1 |
| 8 | 903710 | ORANGE LED $\phi 6$ | 2 |
| 9 | 903711 | GREEN LED $\phi 6$ | 1 |
| 10 | 905227 | ROUND BUTTON SUPP. $\phi 25$ GOFFRED GRAY RAL7015 | 2 |
| 11 | 905273_A | AIR TRAP 45MM WHITE | 1 |
| 12 | 905275_A | PRESSOSTAT 35-90 | 1 |
| 13 | 905290 | ROUND BUTTON $\phi 25$ GLOSS BLACK | 2 |
| 14 | 905314_A | SWITCHER 6 FASTON INCLIN. | 1 |
| 15 | 906994_C | PRESSOSTAT SUPP. INVENSIS-BITRON | 1 |
| 16 | 907169_A | BOARD TRONIC CLONE ELCA | 1 |
| 17* | 907190_A | SWITCHER 9A 230V WITH LOVATO ACTUATOR | 3 |
| 18 | 907455_A | PRESSOSTAT PIPE 5X8 PVC BLACK | 1 |
| 19 | 909105_A | MAGNETIC REED N1000-N1300 | 1 |
| 20 | 909451_A | SELECTOR 3 POS. | 1 |
| 21 | 909605_B | PLATE NE1000 GGM | 1 |

DISPENSER



| Item Number | Code | Description | Quantity |
|-------------|----------|---|----------|
| 1 | 902052_A | DISPENSER SOAP PERIST. SEKO | 1 |
| 2 | 902062_A | SEKO PERIST. RINSE AID DISPENSER WITHOUT REG. | 1 |
| 3 | 907278_A | RED CRYSTAL HOSE 4X6 | 3 |
| 4 | 907279_A | SILICON HOSE 4X7 | 1 |
| 5 | 907456_A | INOX WEIGHT 190 mm SOAP HOSE | 2 |
| 6 | 952820 | DOUBLE DISPENSER SUPPORT | 1 |

BOILER



| Item Number | Code | Description | Quantity |
|-------------|----------|--|----------|
| 1 | 900378_A | BOILER N45-N50-N1000-N1300-NE 7LT. +RES.6KW Ø150 | 1 |
| 2 | 902390_A | 1-WAY ELECTROVALVE Ø10 | 1 |
| 3 | 903982_A | ADJ. KNOB FOR THERMOSTAT 0/90° IMIT | 1 |
| 4 | 904075_A | BRASS PLATE | 1 |
| 5 | 905570_A | BOILER RESIST. 6KW 230V +OR | 1 |
| 6 | 907110_A | BOILER THERMOSTAT BGM 0/90 1000MM | 1 |
| 7 | 907297_A | SAFETY THERMOSTAT 110° PAD | 1 |
| 8 | 907347_A | CHRGING PIPE 90° 2000MM S 800 HW | 1 |

DRAIN PUMP

| Item Number | Code | Description | Quantity |
|-------------|----------|--|----------|
| 1 | 903270_A | DRAIN PUMP 220V 50HZ 36W Type P60 | 1 |
| 2 | 907439_A | DRAIN PIPE ϕ 19 90° 2000MM PS | 1 |
| 3 | 903738_A | SLEEVE FOR DRAIN PUMP N45-N50-N90 2019 - CAPOT | 1 |

