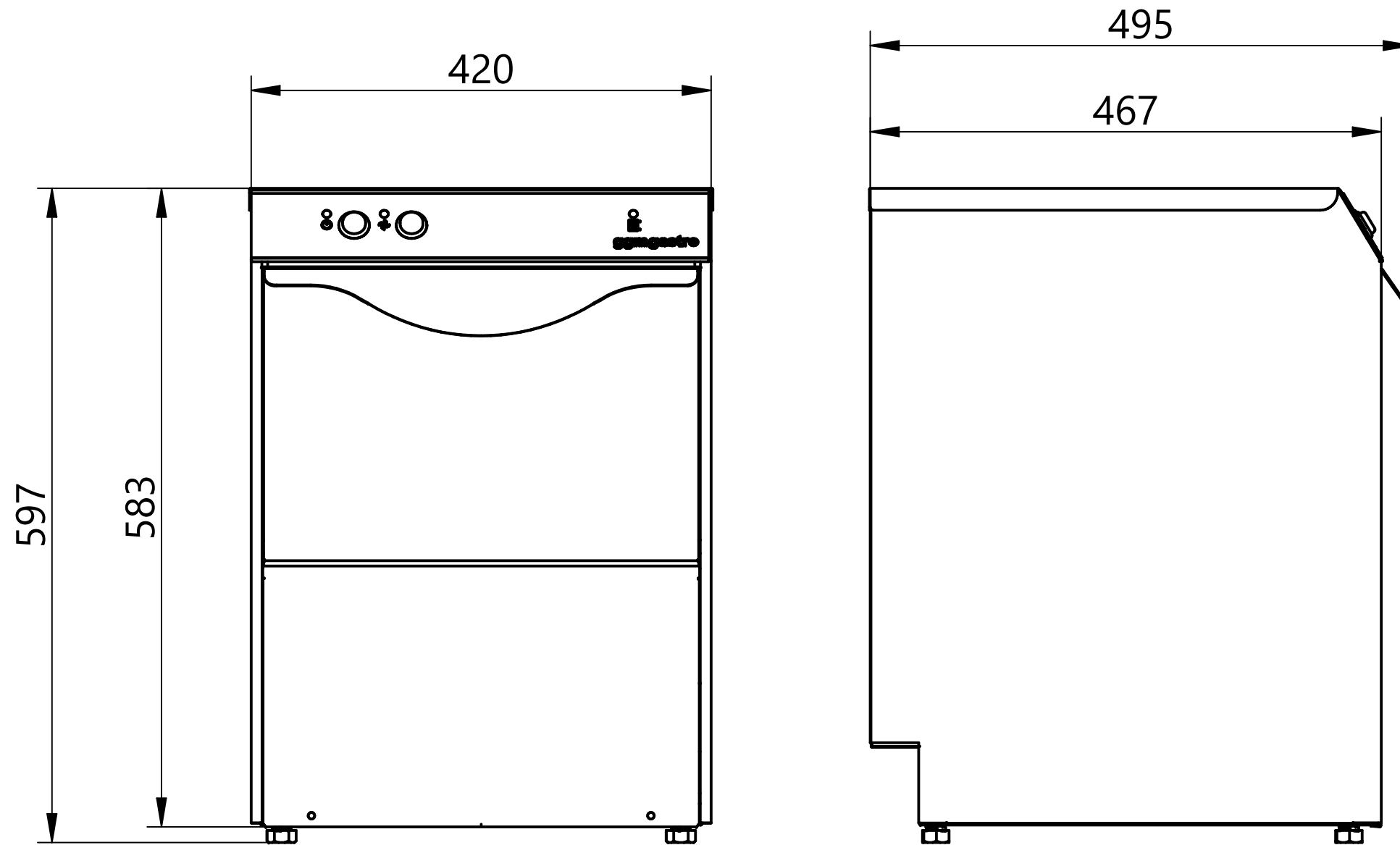


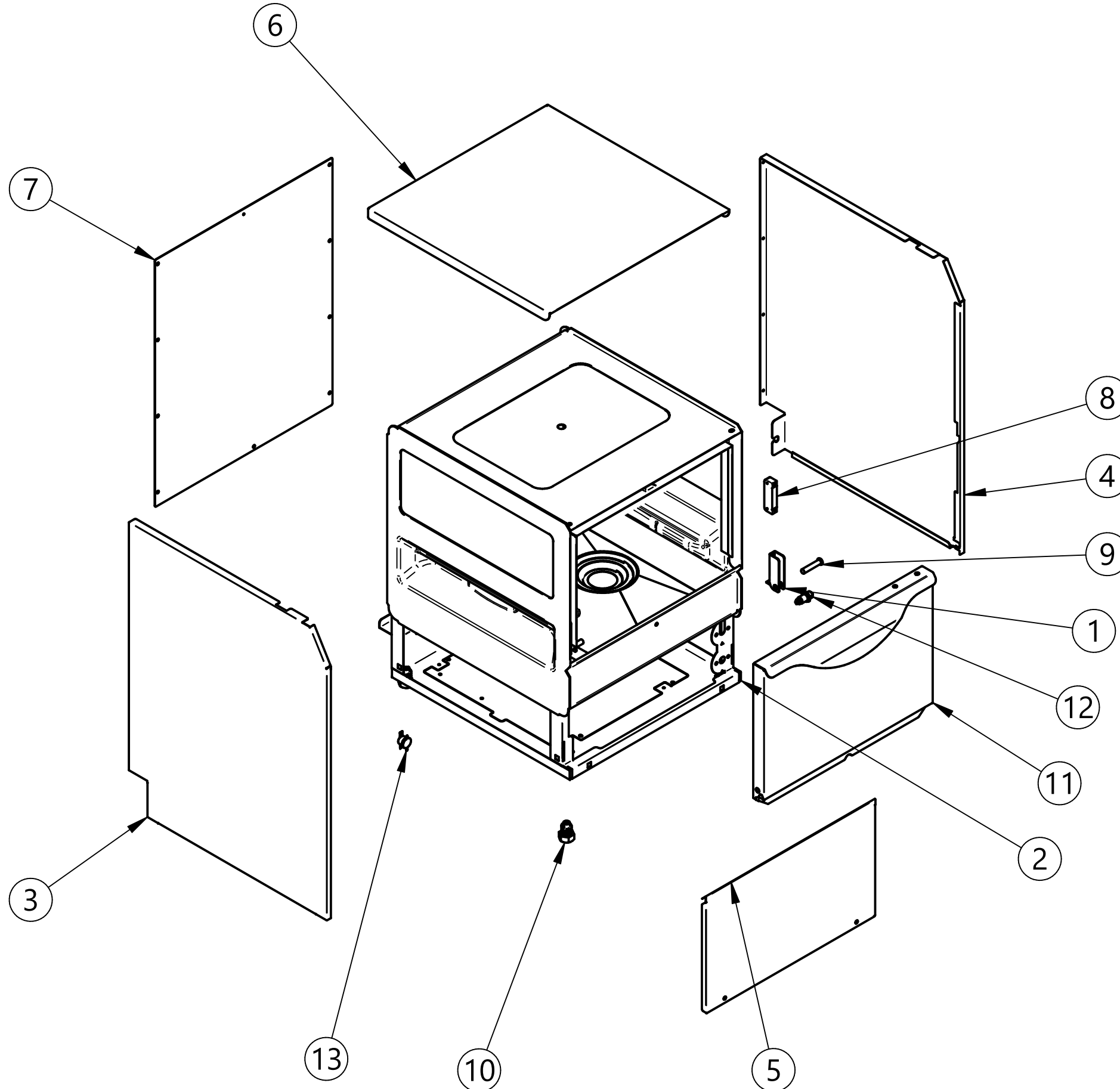
# EXV094 - Exploded View - GGM - S021



Chapter	Description	Page
1	CABINET AND PANELS	2
2	WASHING SYSTEM	3
3	SPRAY ARMS	4
4	ELECTRONICS	5
5	DISPENSER	6
6	DRAIN PUMP	7
7	BOILER	8

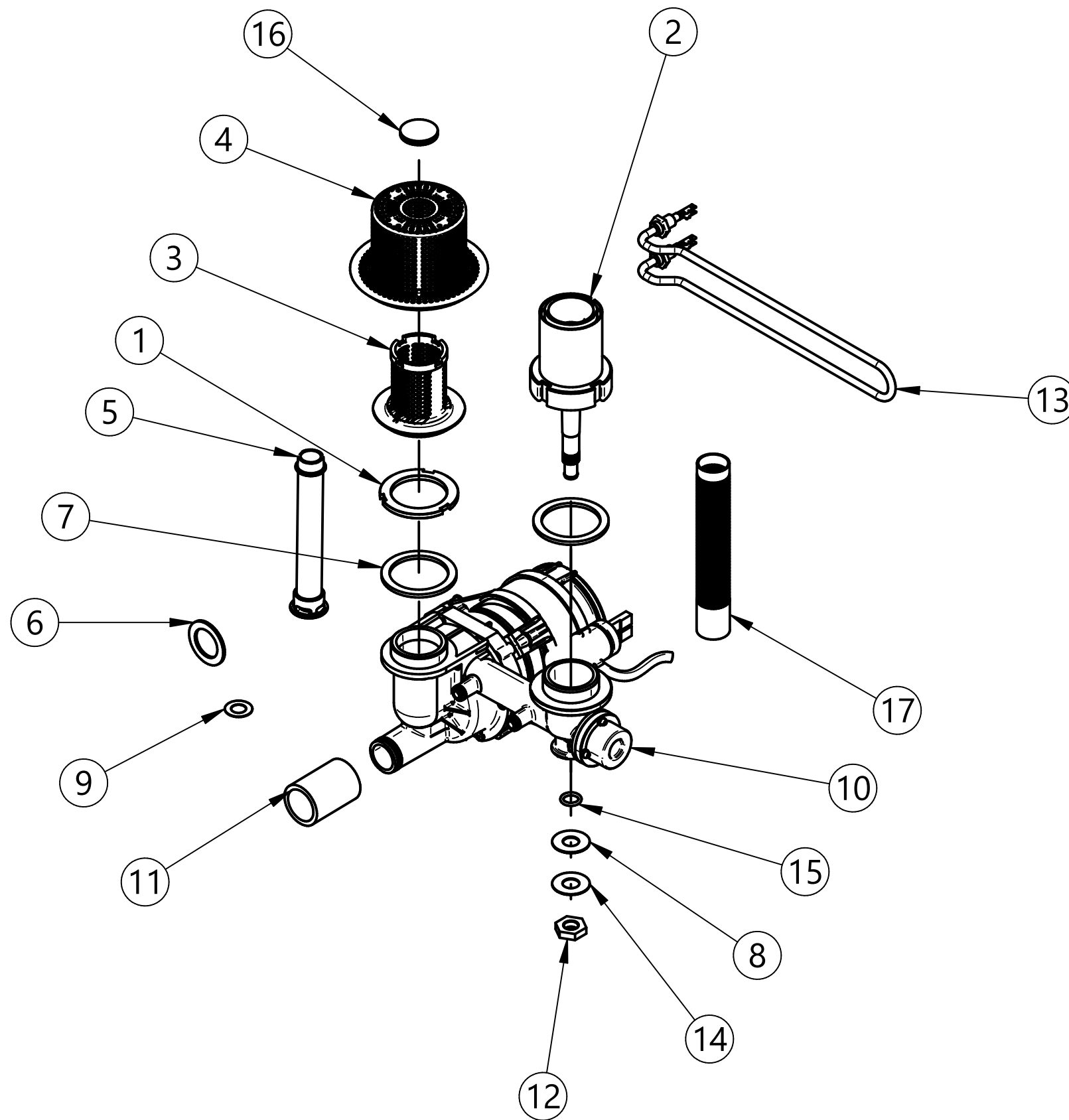


# CABINET & PANELS



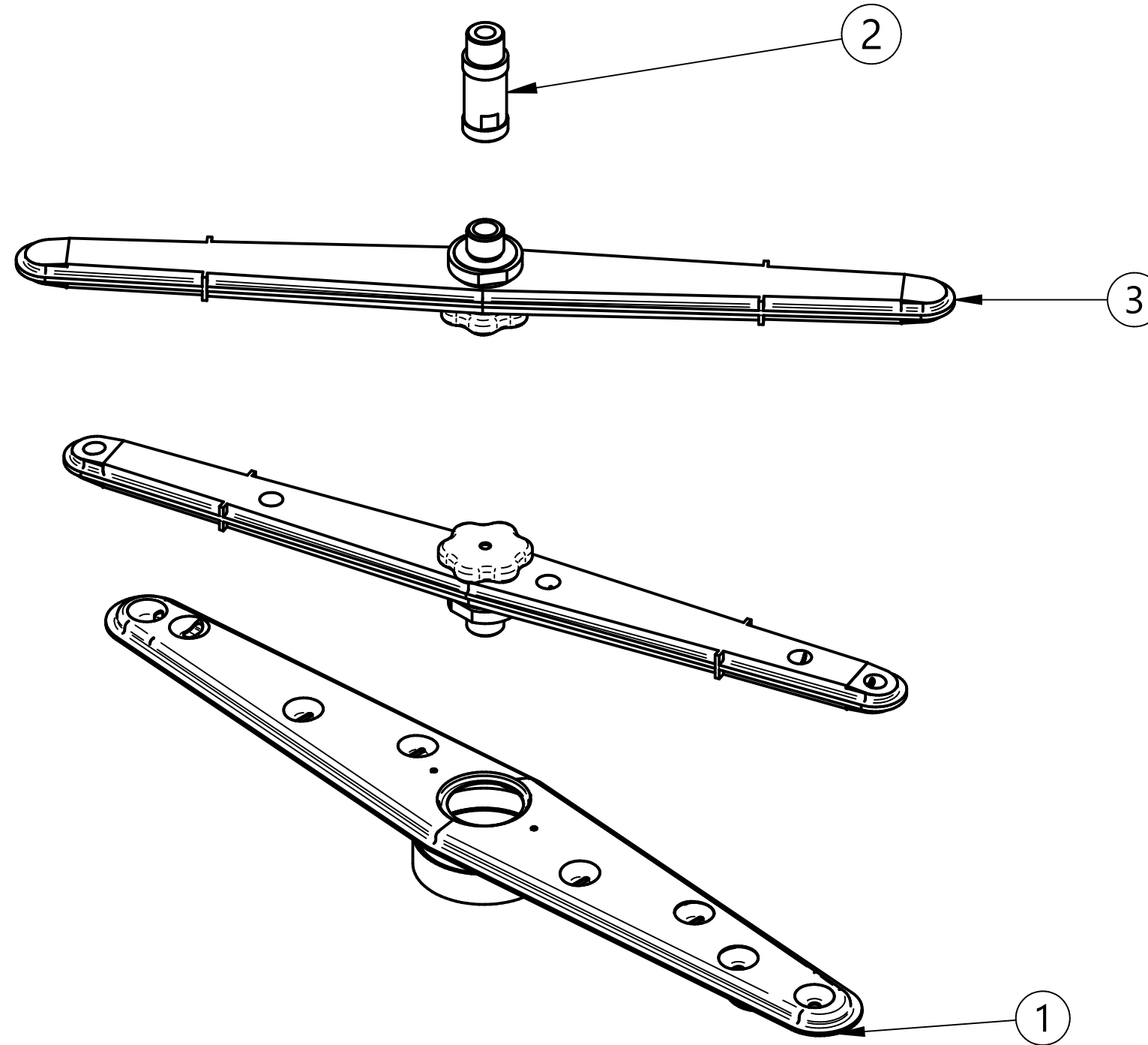
Item number	Code	Description	Quantity
1	901245	HINGE FOR DISHWASHER DOOR	2
2	901845	TUB+BASEMENT S021	1
3	902451_A	LH SIDE PANEL S021 IMPERIAL	1
4	902452_A	RH SIDE PANEL S021 IMPERIAL	1
5	902457_B	LOWER PANEL S18 S021 S23 S025 IMPERIAL	1
6	902464_A	HOOD S18-S021-S23-S025 IMPERIAL	1
7	902487_A	BACK PANEL S021 IMPERIAL	1
8	903651_A	MAGNET + FRONTAL COVER	1
9	904795_A	PIN FOR DOOR	2
10	905000_A	DISHWASHER FEET PVC NEW	4
11	905174	DOOR S18-S021 WITH I.H. 15-10	1
12	906121_A	LOCKER WITH WHEEL AND NUT M12	1
13	907244	TUB THERMOSTAT 55°	1

# WASHING SYSTEM



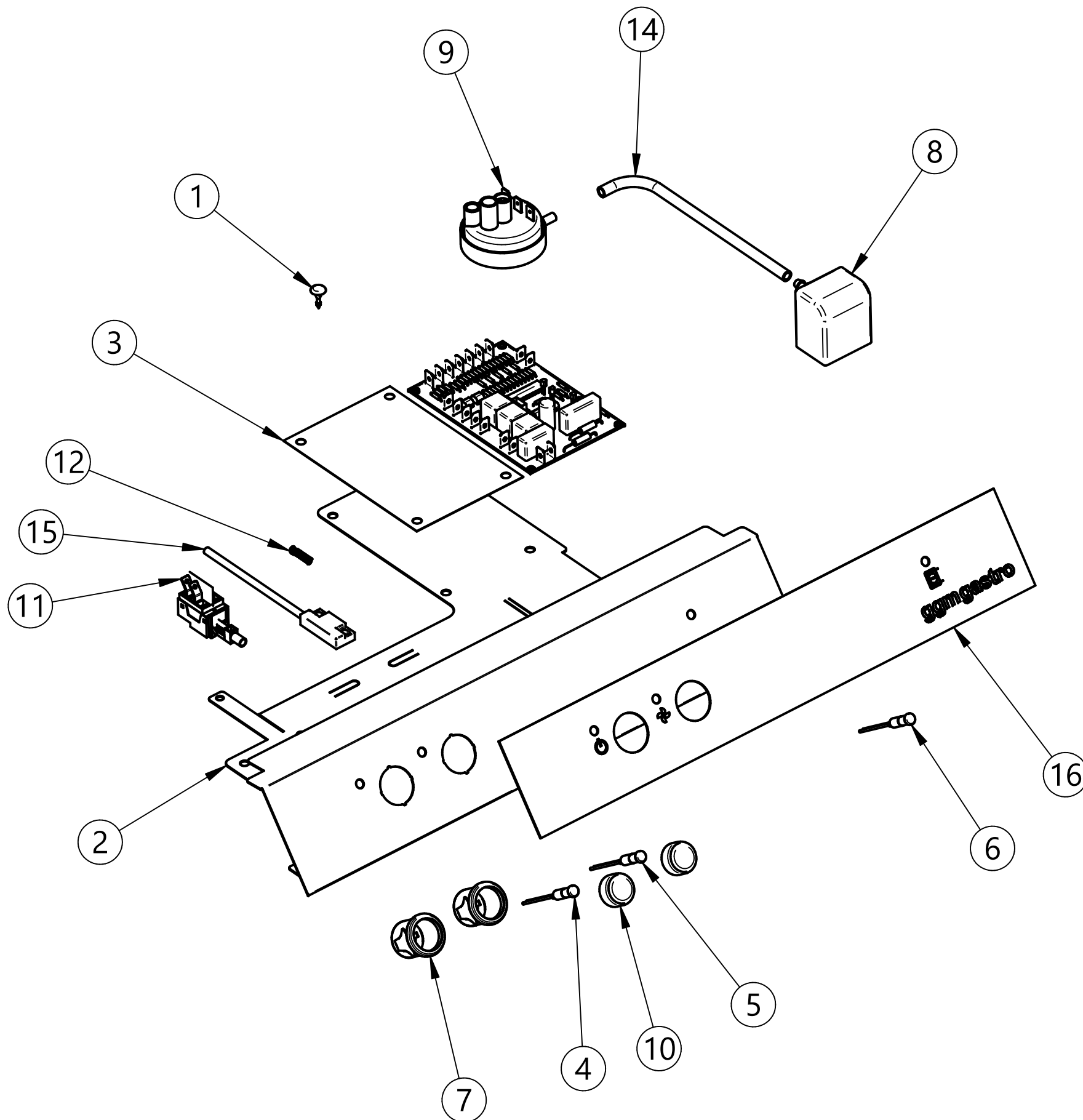
Item number	Code	Description	Quantity
1	902133_A	INOX NUT 1" 1/2 PUMP SERIES S/E	1
2	902268_A	WASHING/RINSING LOWER HUB SERIES S/E	1
3	902271_A	PUMP THREADED FILTER SERIES S/E	1
4	902273_A	SUCTION FILTER SERIES S/E	1
5	902274	TOO-FULL PIPE H154 SERIES S-E	1
6	903290_A	NOT-RETURN VALVE SEALING 3/4	1
7	903301	SPRAY ARMS HUB SEALING TH.3MM	2
8	903303_A	RINSING PUMP SEALING SERIES S/E	1
9	903351	FIBER SEALING FOR UPPER RINSING CONNECTION	2
10	903486_A	PUMP 0.17KW 230/1/50 SERIES S GIS	1
11	903757_A	CHARGING PIPE MODEL B/PS	1
12	904534_A	INOX NUT ES.22 1/4	1
13	905771_A	TUB RESIST. 1.6KW 230V	1
14	906004_A	WASHER $\phi 30 \times 13.5 \times 0.8$	1
15	906222_A	O-RING FOR NOT-RETURN VALVE	1
16	906407_A	INOX CAP FOR SUCTION FILTER SERIES S/E	1
17	907446_A	DRAIN PIPE 1500MM-NO DRAIN PUMP	1

# SPRAY ARMS



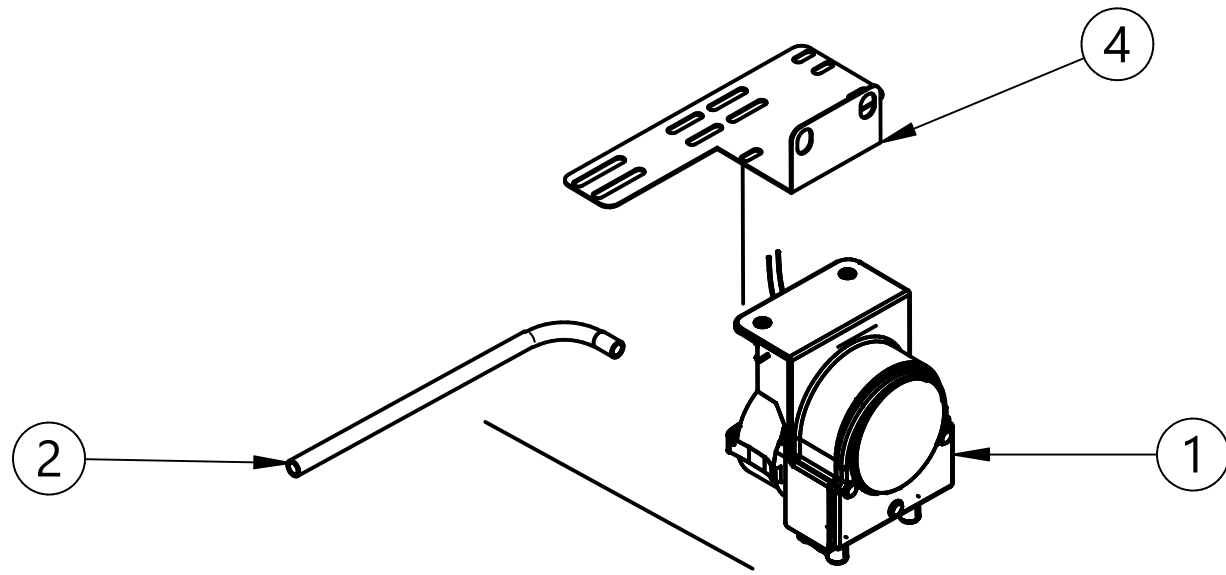
Item number	Code	Description	Quantity
1	903104	WASHIGN SPRAY ARM	1
2	904765	UPPER/LOWER PIN 32MM FOR WASHING SPRAY ARM	1
3	907955.201	RINSING SPRAY ARM GROUP 1 PPL	2

# ELECTRONICS

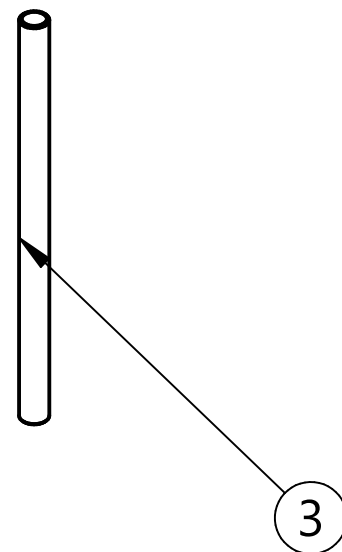


Item number	Code	Description	Quantity
1	902193_A	ELECTRIC TIMER SPACER	4
2	902469	PLATE HOLDER S021 S025 MECCHANICAL IMPERIAL	1
3	903623_A	BOARD INSULATOR 133 x 90	1
4	903648_A	GREEN LED $\phi$ 6 +WIRES F/F	1
5	903686_A	ORANGE LED $\phi$ 6 +WIRES DEP...CICLE	1
6	903687_A	ORANGE LED $\phi$ 6 +WIRES	1
7	905227	ROUND BUTTON SUPP. $\phi$ 25 GOFFRED GREY RAL7015	2
8	905266_A	AIR TRAP 45MM GREY NEW	1
9	905270_A	PRESSOSTAT 20-40	1
10	905290	ROUND BUTTON $\phi$ 25 GLOSS BLACK	2
11	905312_A	SWITCH 2 FASTON INCLINED	1
12	905314_A	SWITCH 6 FASTON INCLINED	1
13*	907169_A	BOARD TRONIC CLONE ELCA	1
14	907455_A	SILICONE PIPE 4X7	1
15	909285_A	MAGNETIC REED FOR ELECTRONIC DISHWASHER	1
16	909606_C	PLATE S021 BLACK GGM	1

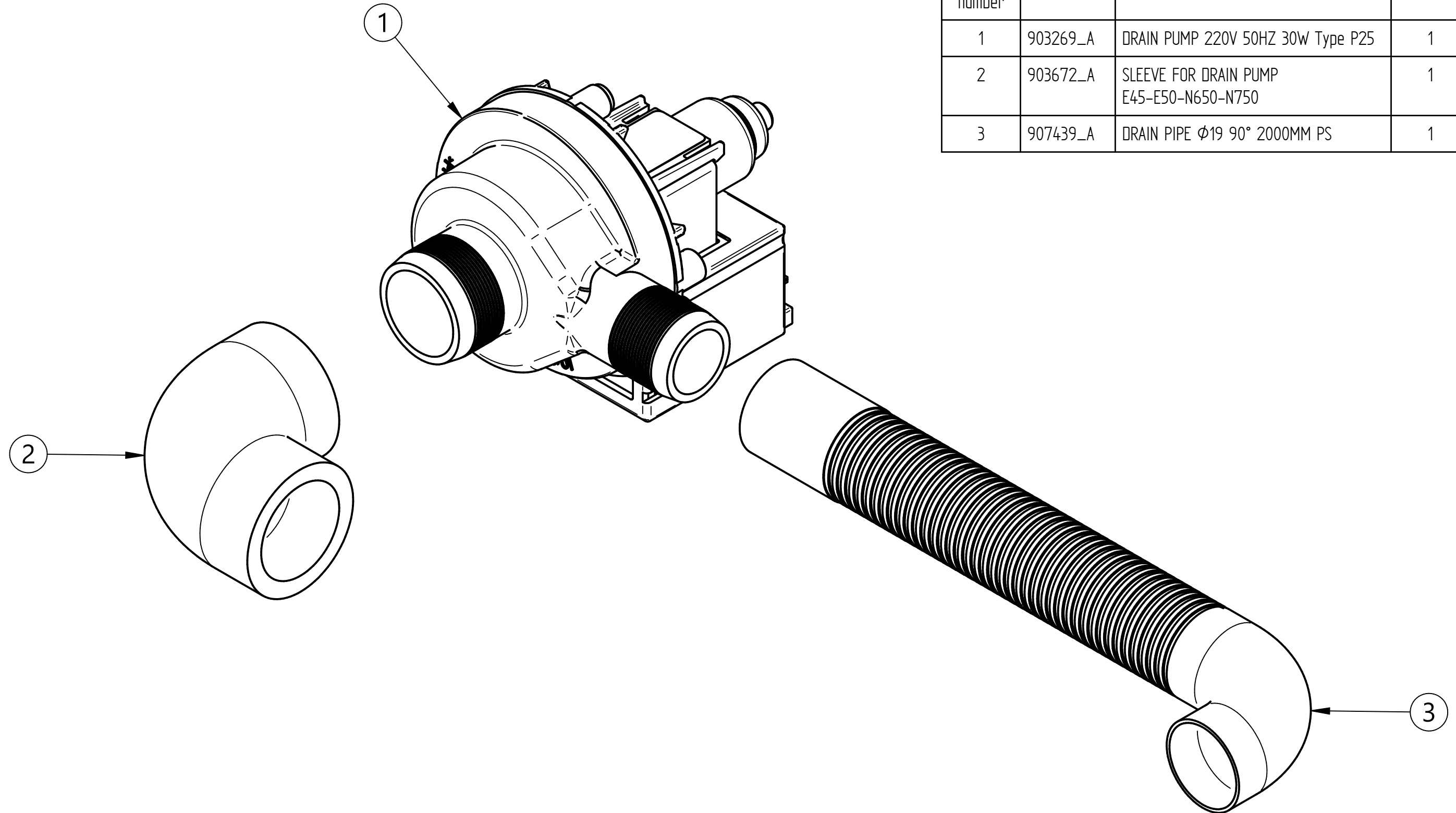
# DISPENSER



Item number	Code	Description	Quantity
1	902062_A	TIMED RINSING DISPENSER PERIST. SEKO	1
2	907279_A	SILICONE PIPE 4X7	1
3	907456_A	INOX WEIGHT 190 mm RINSING/SOAP PIPE	1
4	952820	DOUBLE DISPENSER SUPPORT	1

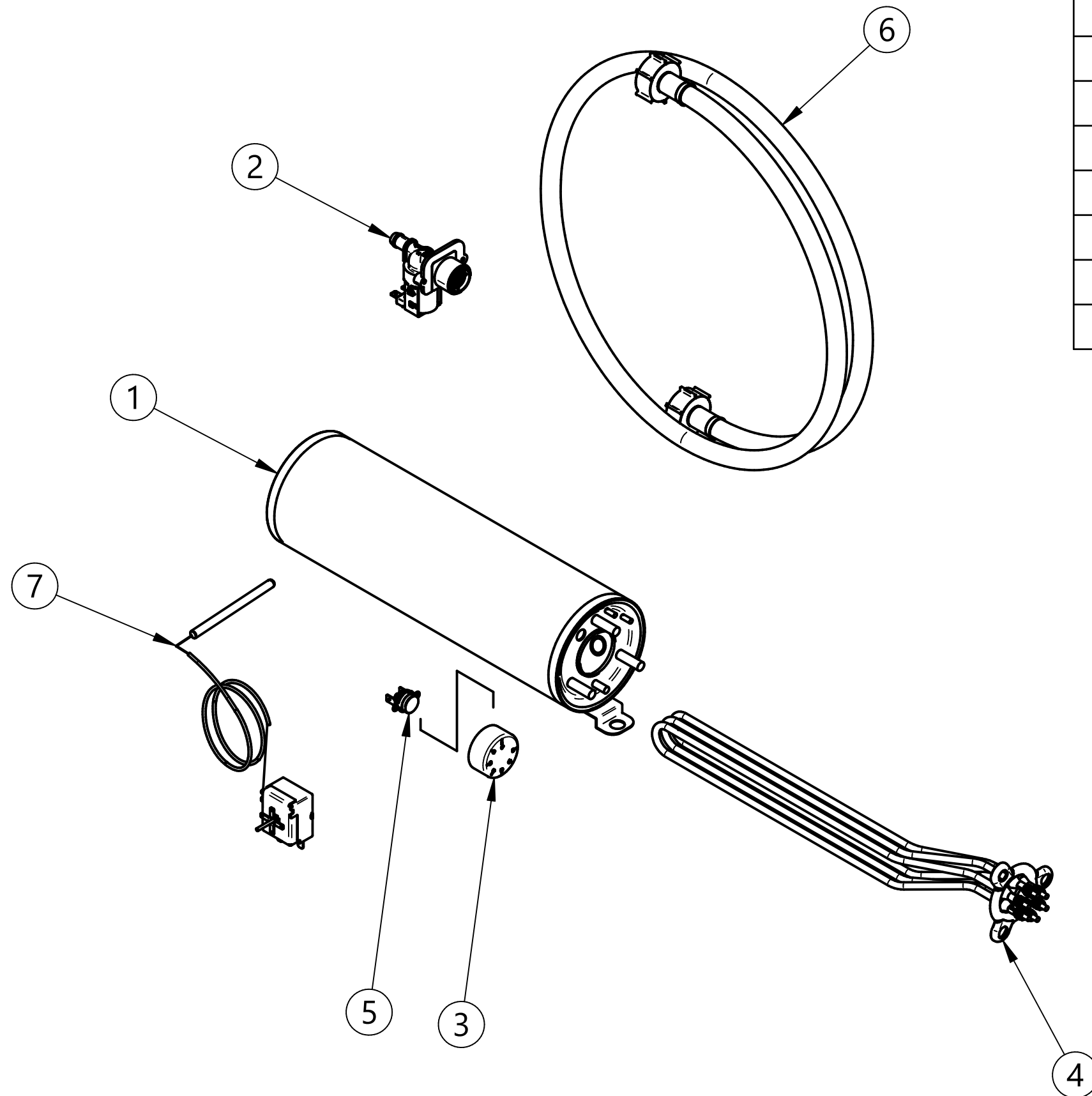


# DRAIN PUMP



Item number	Code	Description	Quantity
1	903269_A	DRAIN PUMP 220V 50HZ 30W Type P25	1
2	903672_A	SLEEVE FOR DRAIN PUMP E45-E50-N650-N750	1
3	907439_A	DRAIN PIPE $\phi$ 19 90° 2000MM PS	1

# BOILER



Item number	Code	Description	Quantity
1	900352_A	BOILER E35-E40-E40H-E40HL +RES.2.6KW Ø105	1
2	902390_A	1-WAY ELECTROVALVE Ø10	1
3	903982_A	ADJUSTABLE THERMOSTAT KNOB 0/90° IMIT	1
4	905496_A	BOILER RESIST. 2.6KW 230V +0R	1
5	907297_A	SAFETY THERMOSTAT 110° PASTIGLIA	1
6	907348_A	CHARGING PIPE 90° 1500MM S 800 HW	1
7	TR0440_A	BOILER THERMOSTAT 0/90 DISHWASHER	1