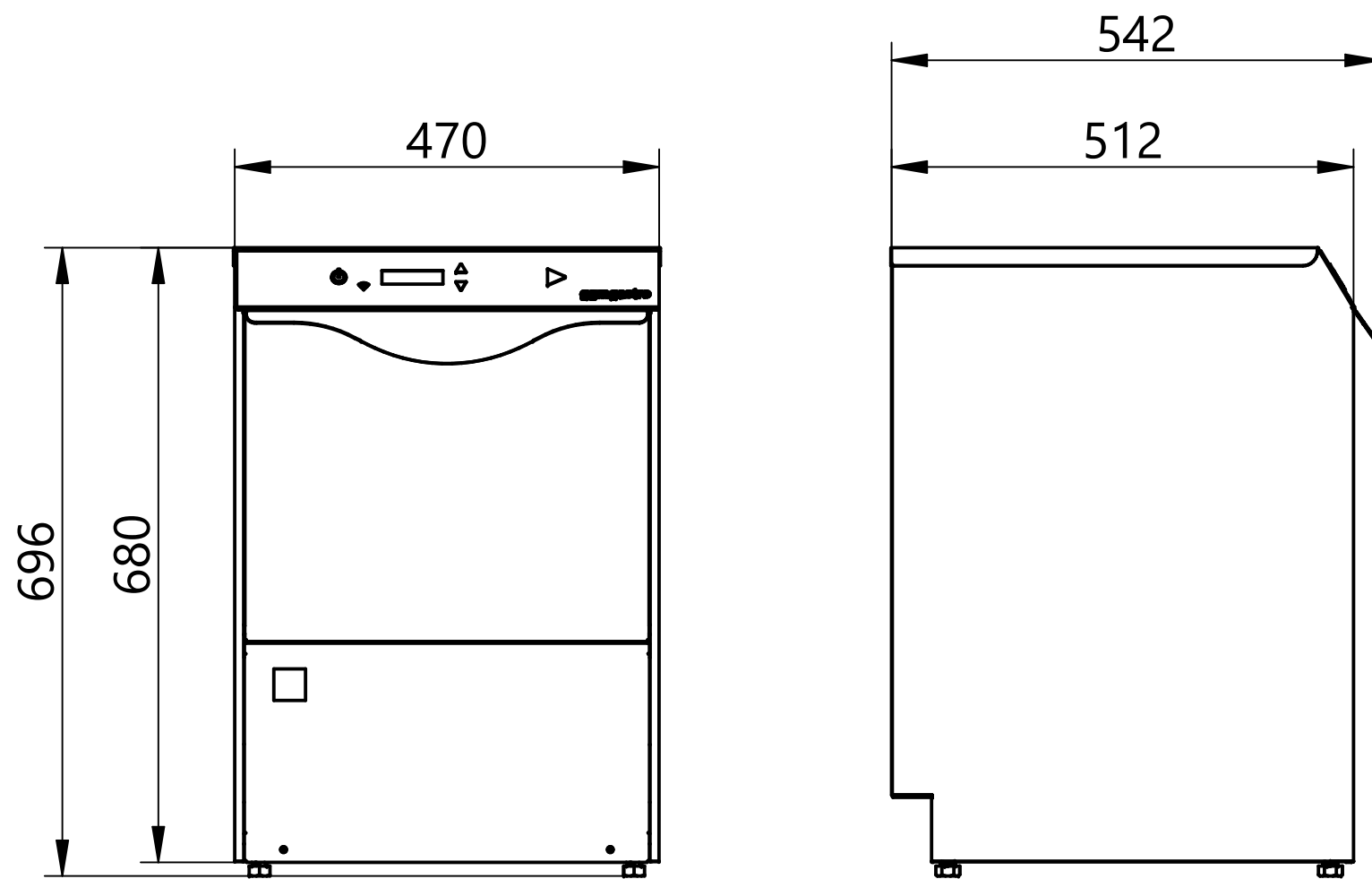
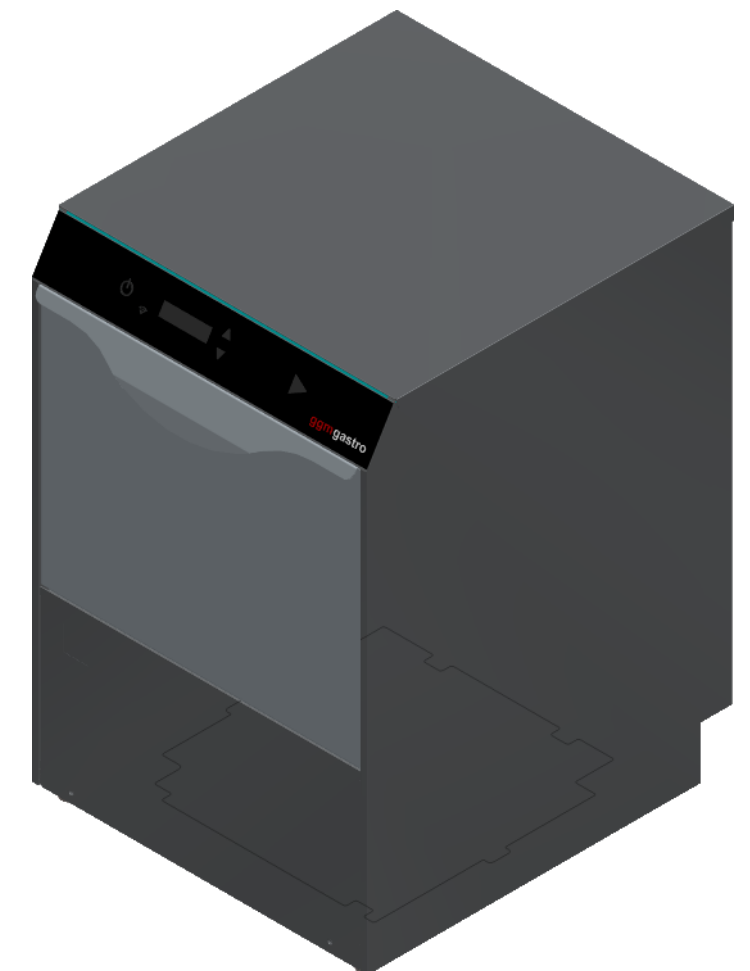


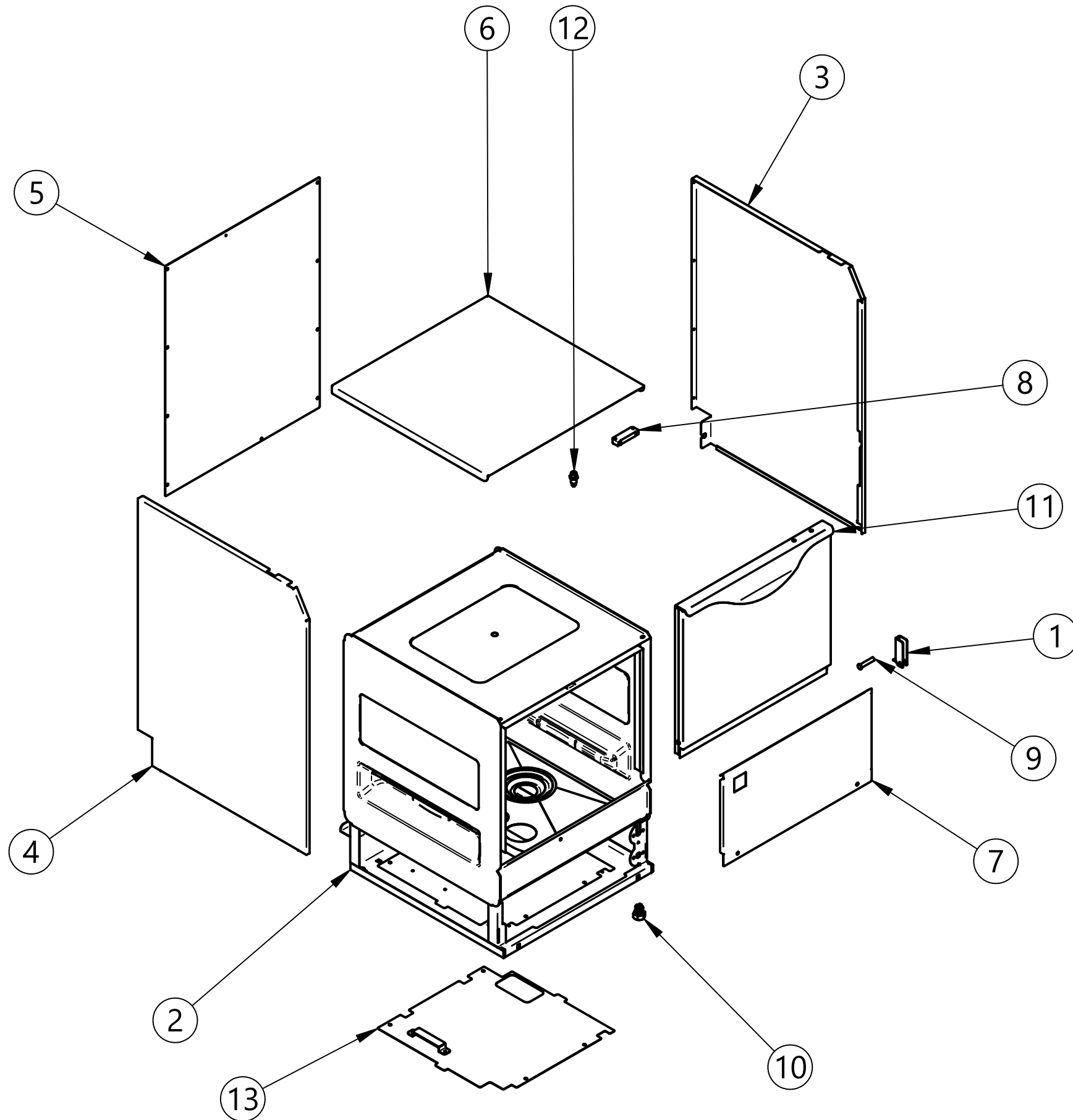
EXV095 - Exploded View - GGM - S030



| Chapter | Description | Page |
|---------|--------------------|------|
| 1 | CABINET AND PANELS | 2 |
| 2 | WASHING SYSTEM | 3 |
| 3 | SPRAY ARMS | 4 |
| 4 | ELECTRONICS EVO3 | 5 |
| 5 | ELECTRONICS HY-NRG | 6 |
| 6 | HY-NRG | 7 |
| 7 | DISPENSER | 8 |
| 8 | SOFTNER | 9 |
| 9 | DRAIN PUMP | 10 |
| 10 | BOILER | 11 |

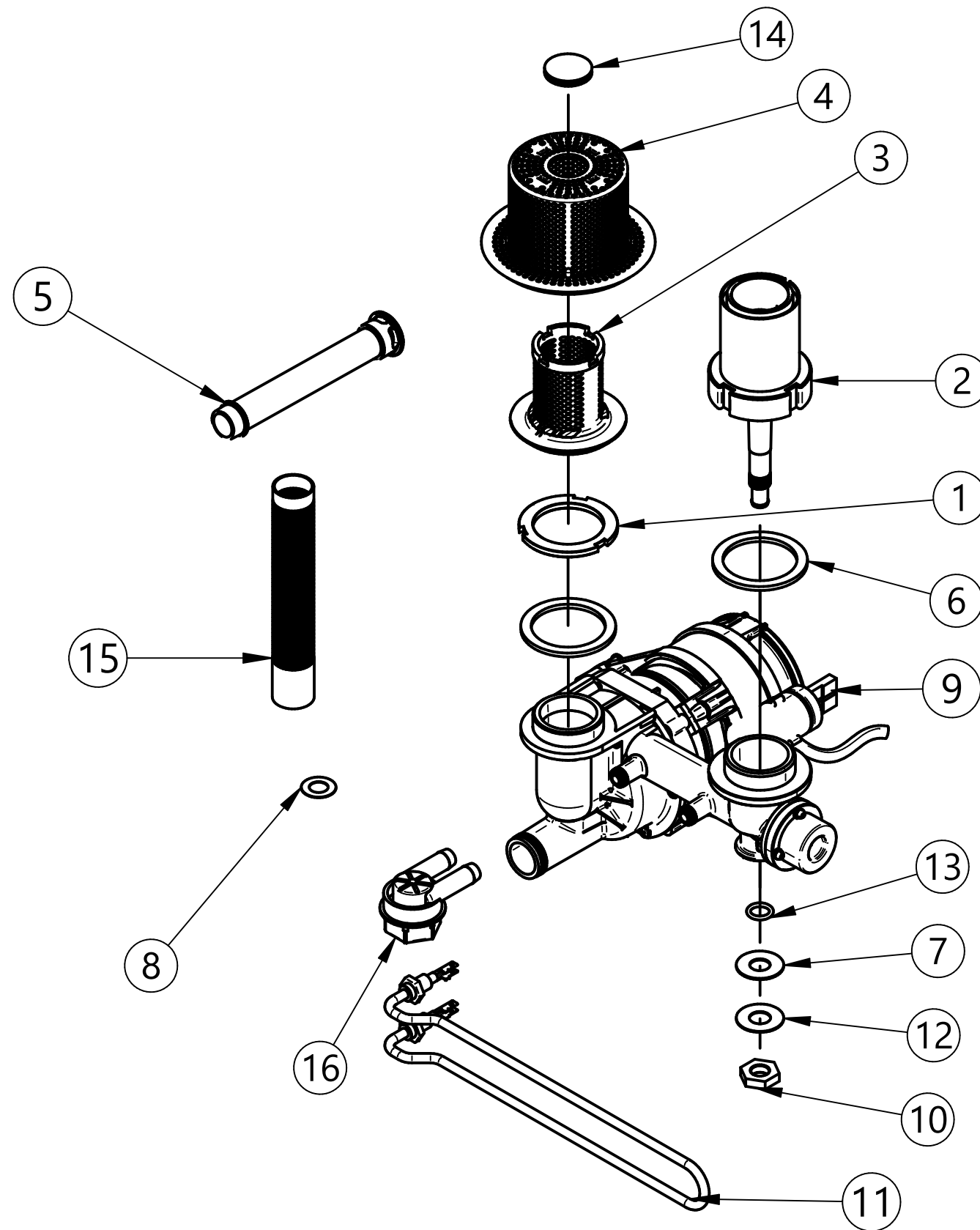


CABINET & PANELS



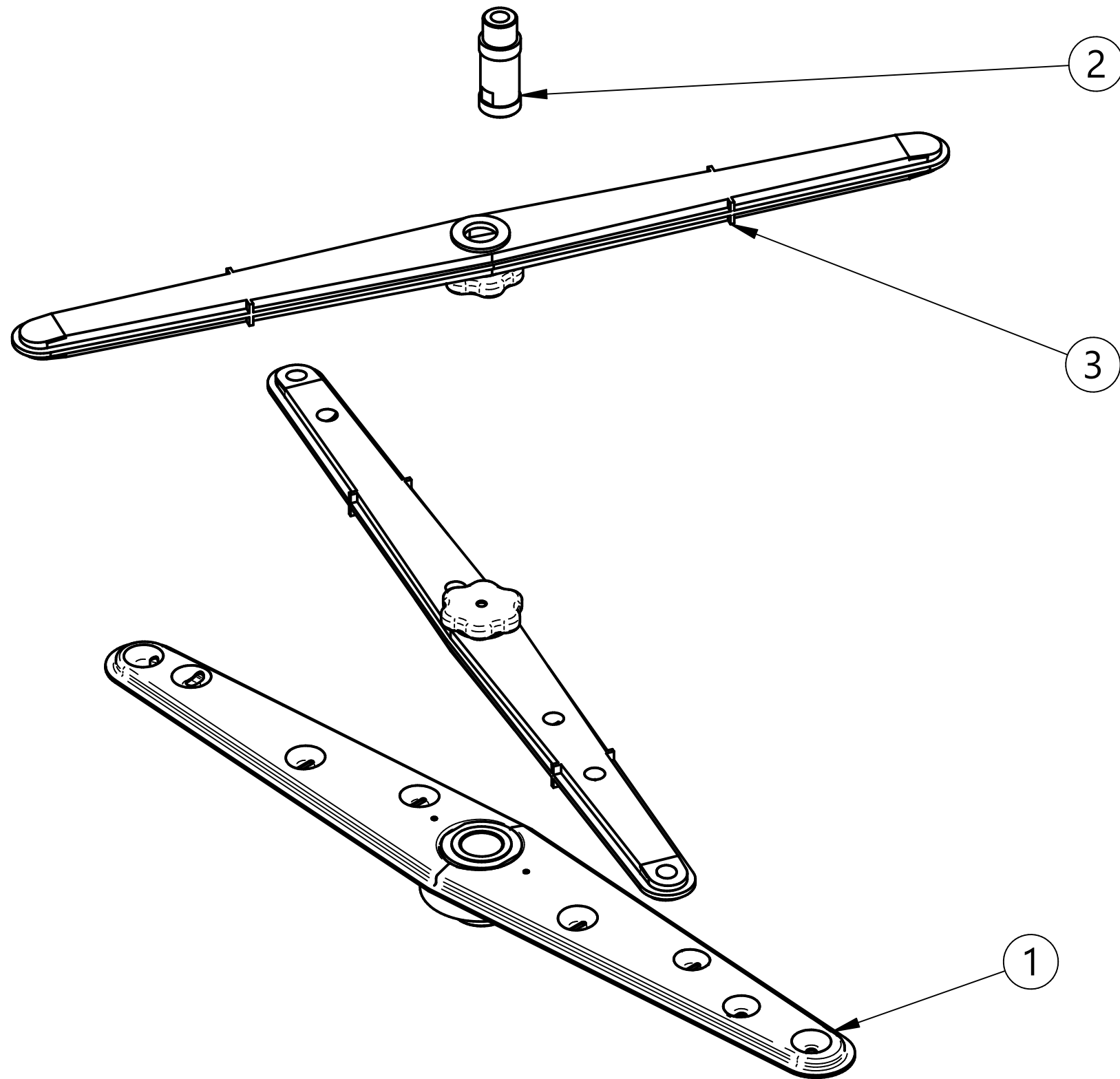
| Item number | Code | Description | Quantity |
|-------------|----------|---|----------|
| 1 | 901245 | HINGE FOR DISHWASHER DOOR | 2 |
| 2 | 901856_A | TUB + BASEMENT S030A | 1 |
| 3 | 902152_A | RH SIDE PANEL S030 IMPERIAL | 1 |
| 4 | 902153_A | LH SIDE PANEL S030 IMPERIAL | 1 |
| 5 | 902154_B | BACK PANEL S28-S030 IMPERIAL | 1 |
| 6 | 902155 | HOOD S28-S030 IMPERIAL | 1 |
| 7 | 902423 | LOWER PANEL S026-S28-S030 IMPERIAL | 1 |
| 8 | 903651_A | MAGNET + FRONTAL COVER | 1 |
| 9 | 904795_A | PIN FOR DOOR | 2 |
| 10 | 905000_A | DISHWASHER PVC FOOT NEW | 4 |
| 11 | 905173 | DOOR S28-S030 WITH M.I. 15-10 | 1 |
| 12 | 906121_A | LOCKER WITH WHEEL AND NUT M12 | 1 |
| 13 | 907986_A | BASEMENT CLOSING ASSEMBLY S026-S030 WITH PUMP SUPPORT | 1 |

WASHING SYSTEM



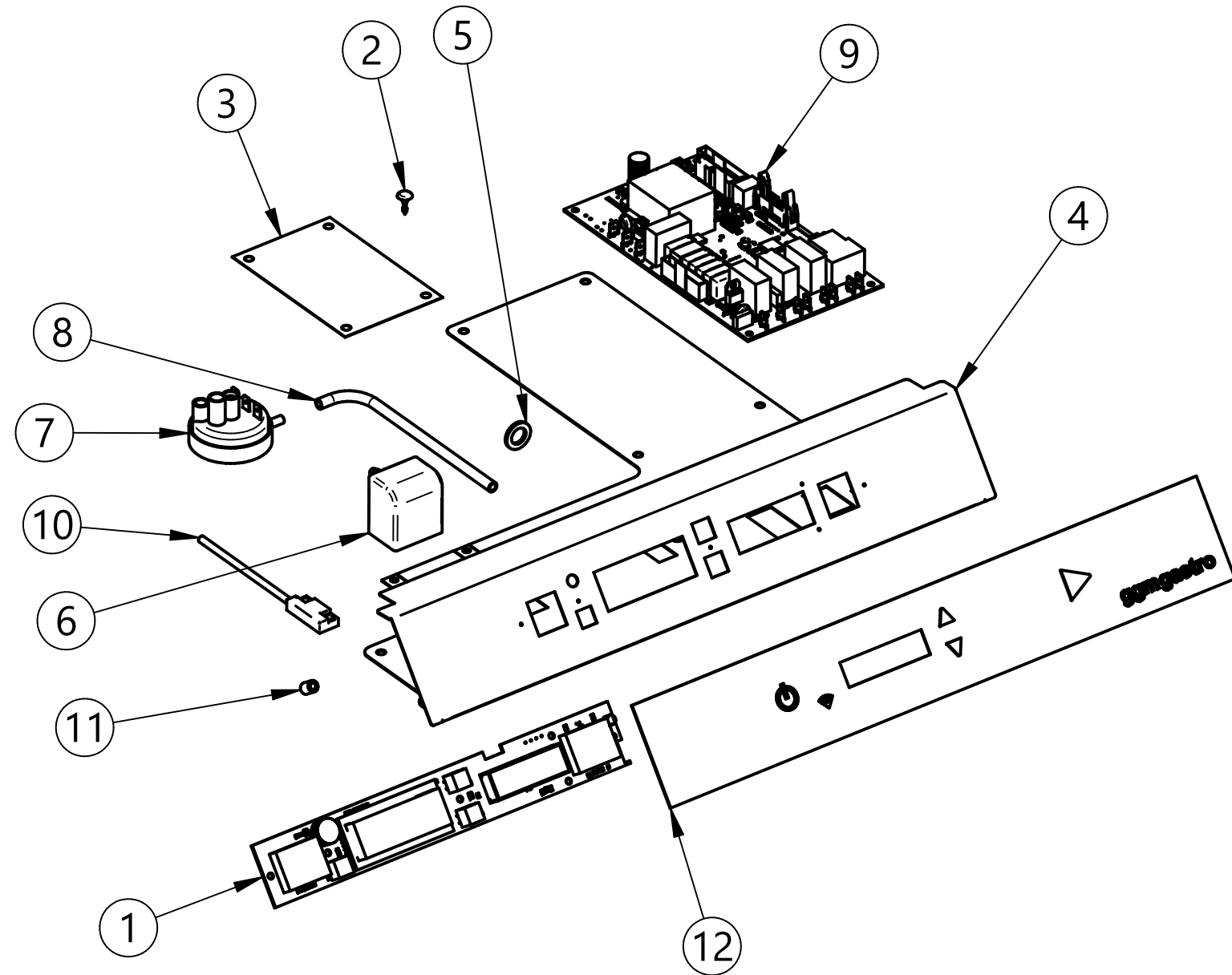
| Item number | Code | Description | Quantity |
|-------------|----------|--|----------|
| 1 | 902133_A | INOX NUT 1" 1/2 PUMP SERIE SS/E | 1 |
| 2 | 902268_A | WASHING/RINSING LOWER HUB SERIES S/E | 1 |
| 3 | 902271_A | THREADED FILTER FOR PUMP SERIES S/E | 1 |
| 4 | 902273_A | SUCTION FILTER SERIES S/E | 1 |
| 5 | 902274 | TOO-FULL PIPE H154 SERIE S-E | 1 |
| 6 | 903301 | HUB SEALING FOR SPRAY ARMS HUB TH.3MM | 2 |
| 7 | 903303_A | GUARN. RISCIAQUO POMPA SERIE S/E | 1 |
| 8 | 903351 | FIBER SEALING FOR UPPER RINSING CONNECTION | 1 |
| 9 | 903486_A | PUMP 0.17KW 230/1/50 SERIES S GIS | 1 |
| 10 | 904534_A | NUT HEX22 1/4 INOX | 1 |
| 11 | 905771_A | TUB RESIST. 1.6KW 230V | 1 |
| 12 | 906004_A | WASHER ϕ 30X13.5X0.8 | 1 |
| 13 | 906222_A | OR FOR NO-RETURN VALVE_RINSING | 1 |
| 14 | 906407_A | INOX CAP FOR SUCTION FILTER SERIES S/E | 1 |
| 15 | 907446_A | DRAIN PIPE 1500MM-NO DRAIN PUMP | 1 |
| 16 | 908762_A | EXTERNAL NO-RETURN VALVE 3/4 | 1 |

SPRAY ARMS



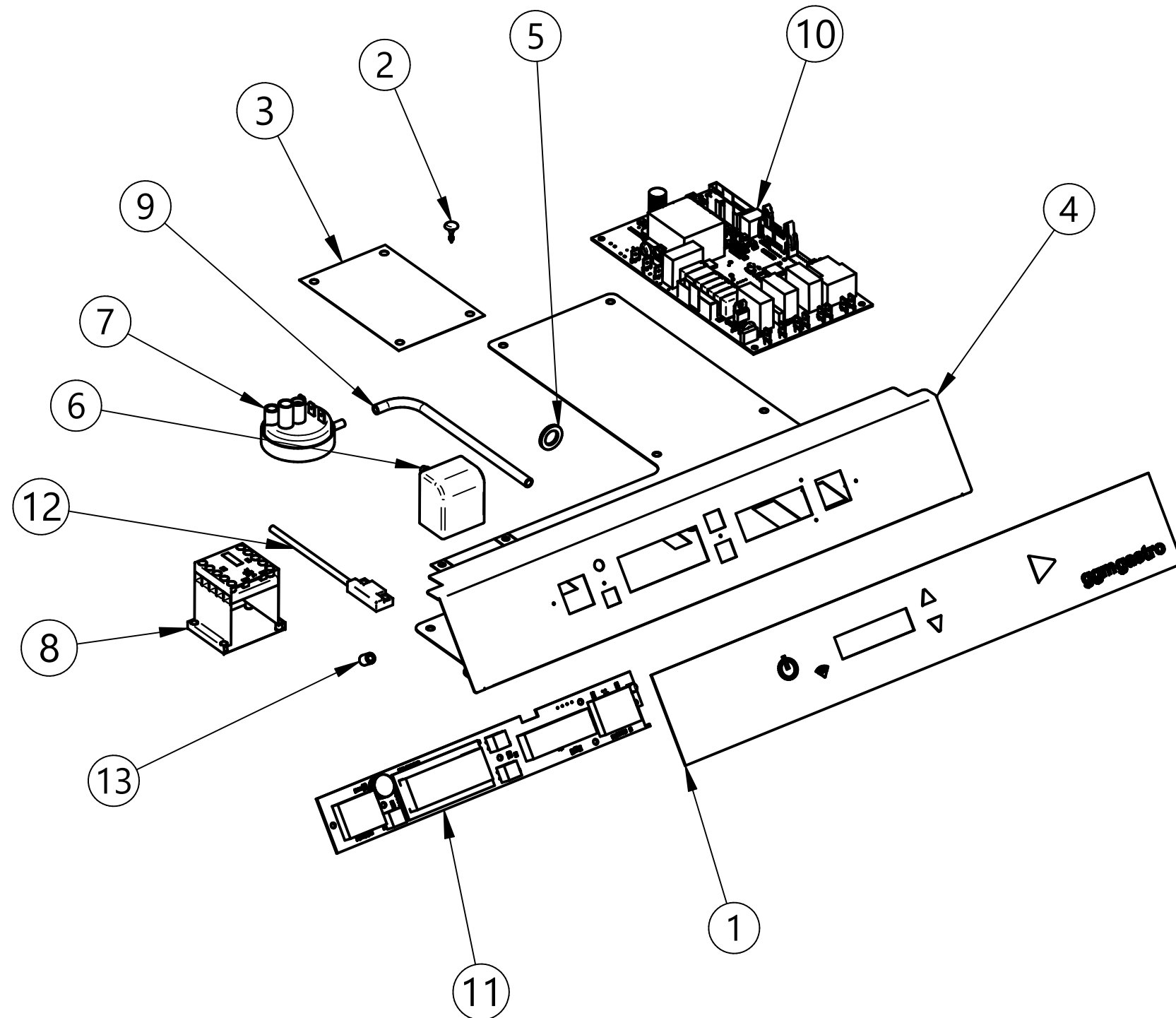
| Item number | Code | Description | Quantity |
|-------------|------------|--|----------|
| 1 | 903105_A | WASHING SPRAY ARM 2 WITH HUB | 2 |
| 2 | 904765 | UPPER LOWER/ WASHING PIN 32MM FOR SPRAY ARMS | 2 |
| 3 | 907956.202 | RINSING SPRAY ARM GROUP 2 PPL | 2 |

ELECTRONICS EVO3



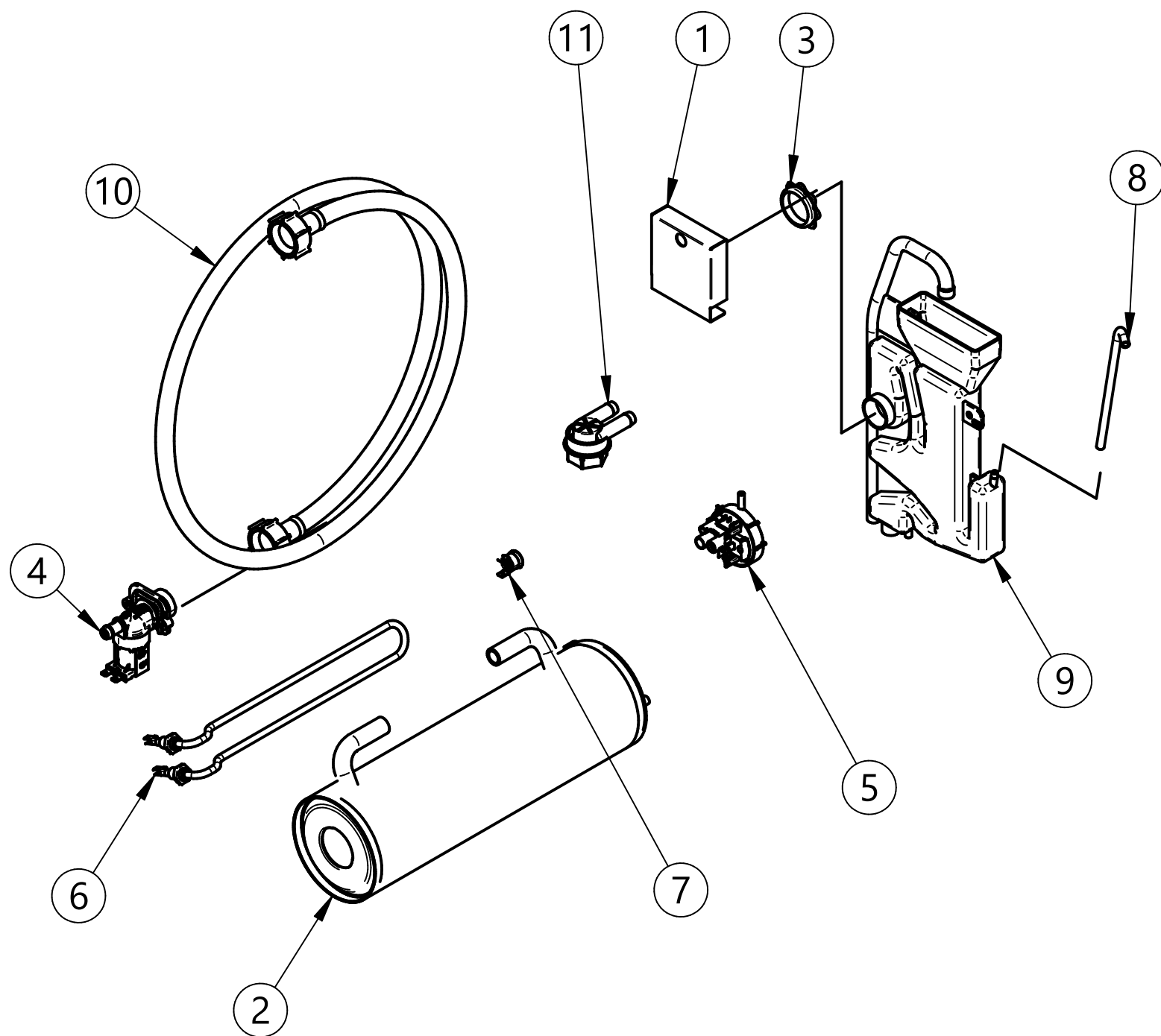
| Item number | Code | Description | Quantity |
|-------------|----------|--|----------|
| 1 | 901914_A | FRONT BOARD EVO3 ELCA | 1 |
| 2 | 902193_A | ELECTRIC TIMER SPACER | 4 |
| 3 | 902302_A | BASE BOARD INSULATOR EVO2/3 ELCA 200X100 | 1 |
| 4 | 902434 | PLATE HOLDER S28 S030 EVO3 IMPERIAL | 1 |
| 5 | 903263_A | AIR TRAP SEALER M12 | 1 |
| 6 | 905266_A | AIR TRAP 45MM GREY NEW | 1 |
| 7 | 905270_A | PRESSOSTAT 20-40 | 1 |
| 8 | 907279_A | SILICONE PIPE 4X7 | 1 |
| 9 | 907399_A | BASE BOARD EVO2/3 ELCA 10 RELAYS | 1 |
| 10 | 909285_A | MAGNETIC REED FOR ELECTRONIC DISHWASHER | 1 |
| 11 | 909366_A | FRONT BOARD SPACER H=10MM | 6 |
| 12 | 909604_A | PLATE S026-S28-S030 EVO3 GGM | 1 |

ELECTRONICS HY-NRG



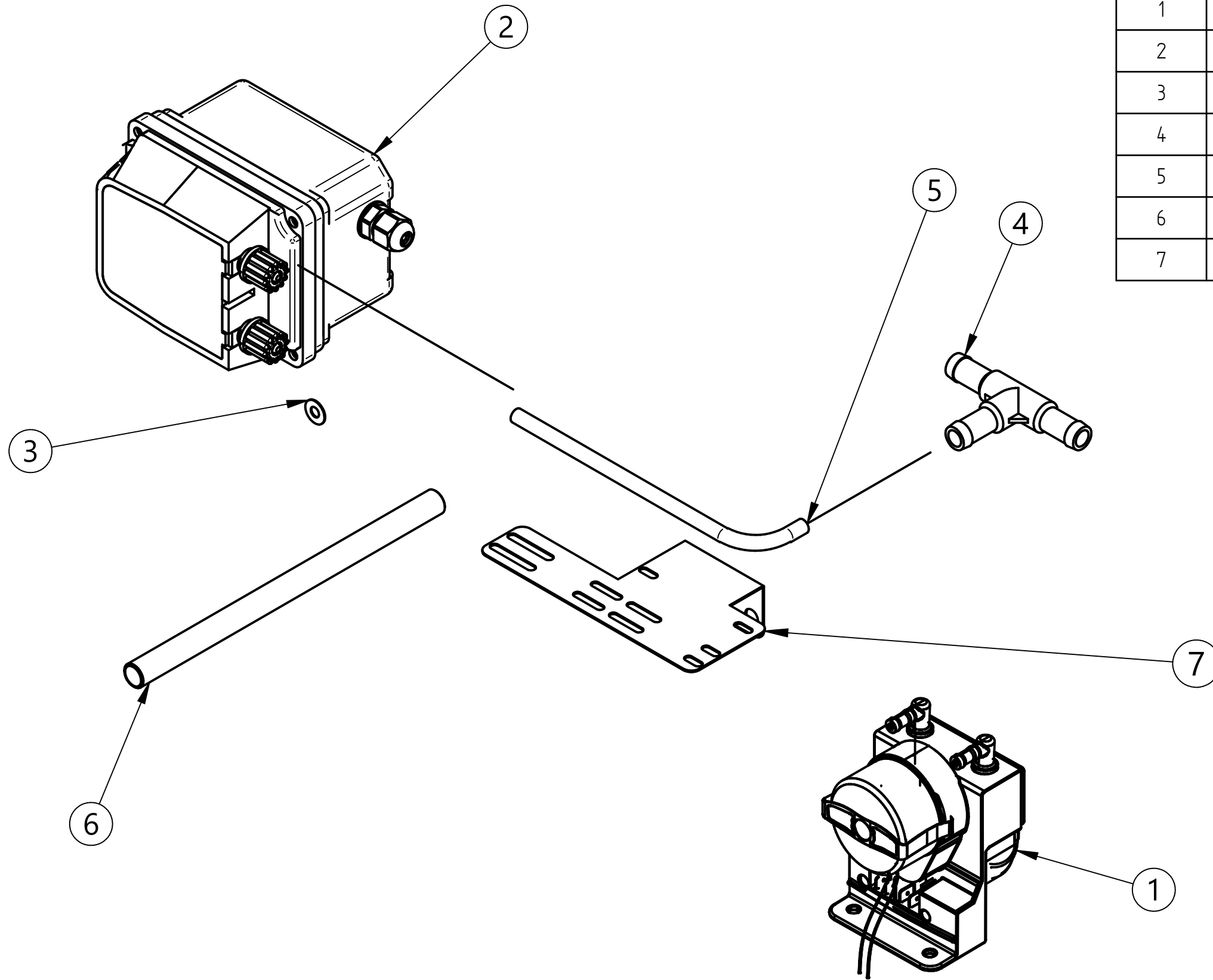
| Item number | Code | Description | Quantity |
|-------------|----------|--|----------|
| 1 | 901929 | PLATE S026-S28-S030 EVO3 GGM | 1 |
| 2 | 902193_A | ELECTRIC TIMER SPACER | 4 |
| 3 | 902302_A | BASE BOARD INSULATOR EVO2/3 ELCA 200X100 | 1 |
| 4 | 902434 | PLATE HOLDER S28 S030 EVO3 IMPERIAL | 1 |
| 5 | 903263_A | AIR TRAP SEALING M12 | 1 |
| 6 | 905266_A | AIR TRAP 45MM GREY NEW | 1 |
| 7 | 905270_A | PRESSOSTAT 20-40 | 1 |
| 8 | 907190 | SWITCH 9A 230V WITH LOVATO ACTUATOR | 1 |
| 9 | 907279_A | SILICONE PIPE 4X7 | 1 |
| 10 | 907398_A | BASE BOARD EVO2/3 ELCA 12 RELAYS | 1 |
| 11 | 907401_A | FRONT BASE EVO3 12 RELAYS | 1 |
| 12 | 909285_A | MAGNETIC REED FOR ELECTRONIC DISHWASHER | 1 |
| 13 | 909366_A | FRONT BOARD SPACER H=10MM | 6 |

HY-NRG



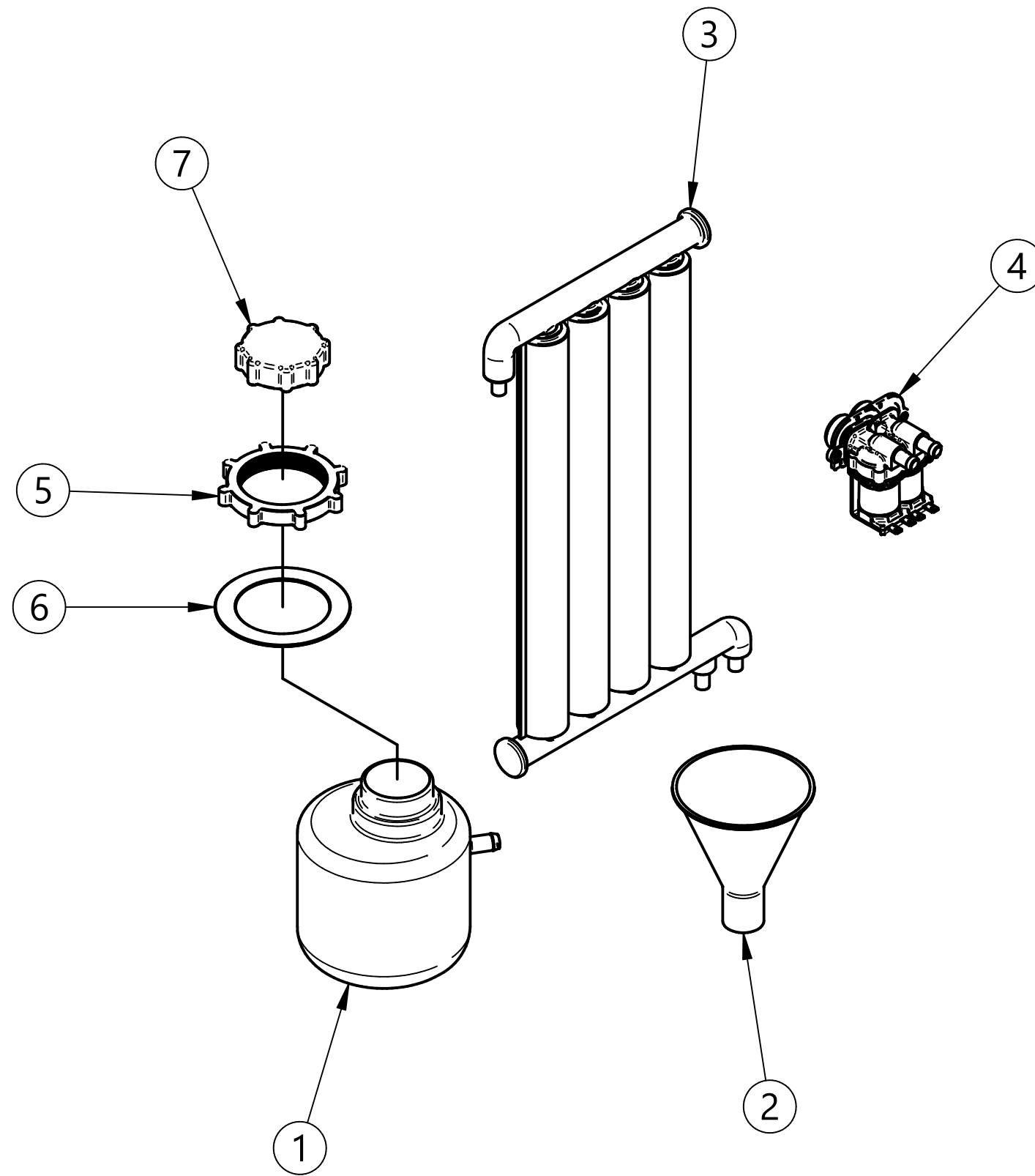
| Item number | Code | Description | Quantity |
|-------------|----------|---------------------------------------|----------|
| 1 | 900086_A | AIR GAP INTERNAL COVER | 1 |
| 2 | 900440_A | BOILER HY-NRG 3.6LT. + RES.2.8KW 2015 | 1 |
| 3 | 902091_A | AIR GAP RING | 1 |
| 4 | 902390_A | ELECTROVALVE 1 WAY $\phi 10$ | 1 |
| 5 | 905283_A | PRESSOSTAT 65/10 | 1 |
| 6 | 905771_A | TUB RESISTANCE 1.6KW 230V | 1 |
| 7 | 907243_A | SAFETY THERMOSTAT 95° | 1 |
| 8 | 907279_A | SILICONE PIPE 4X7 | 1 |
| 9 | 907313_A | AIR GAP | 1 |
| 10 | 907348_A | CHARGING PIPE 90° 1500MM S 800 HW | 1 |
| 11 | TR2434_A | SEMI-CLOSED NO-RETURN VALVE | 1 |

DISPENSER



| Item number | Code | Description | Quantity |
|-------------|----------|---|----------|
| 1 | 902053_A | PERISTALTIC SOAP DISPENSER SEKO NO REG. | 1 |
| 2 | 902095_A | PERISTALTIC RINS DISPENSER SEKO NO REG. | 1 |
| 3 | 903253_A | SEALING FOR DIS/VENT PS CONNECTION | 2 |
| 4 | 905434_A | 3 WAYS CONNECTION FOR DISPENSER ON PUMP | 1 |
| 5 | 907278_A | RED CRYSTAL PIPE 4X6 | 1 |
| 6 | 907456_A | INOX WEIGHT 190 mm RINS/SOAP PIPE | 2 |
| 7 | 952820_A | DOUBLE DISPENSER SUPPORT | 1 |

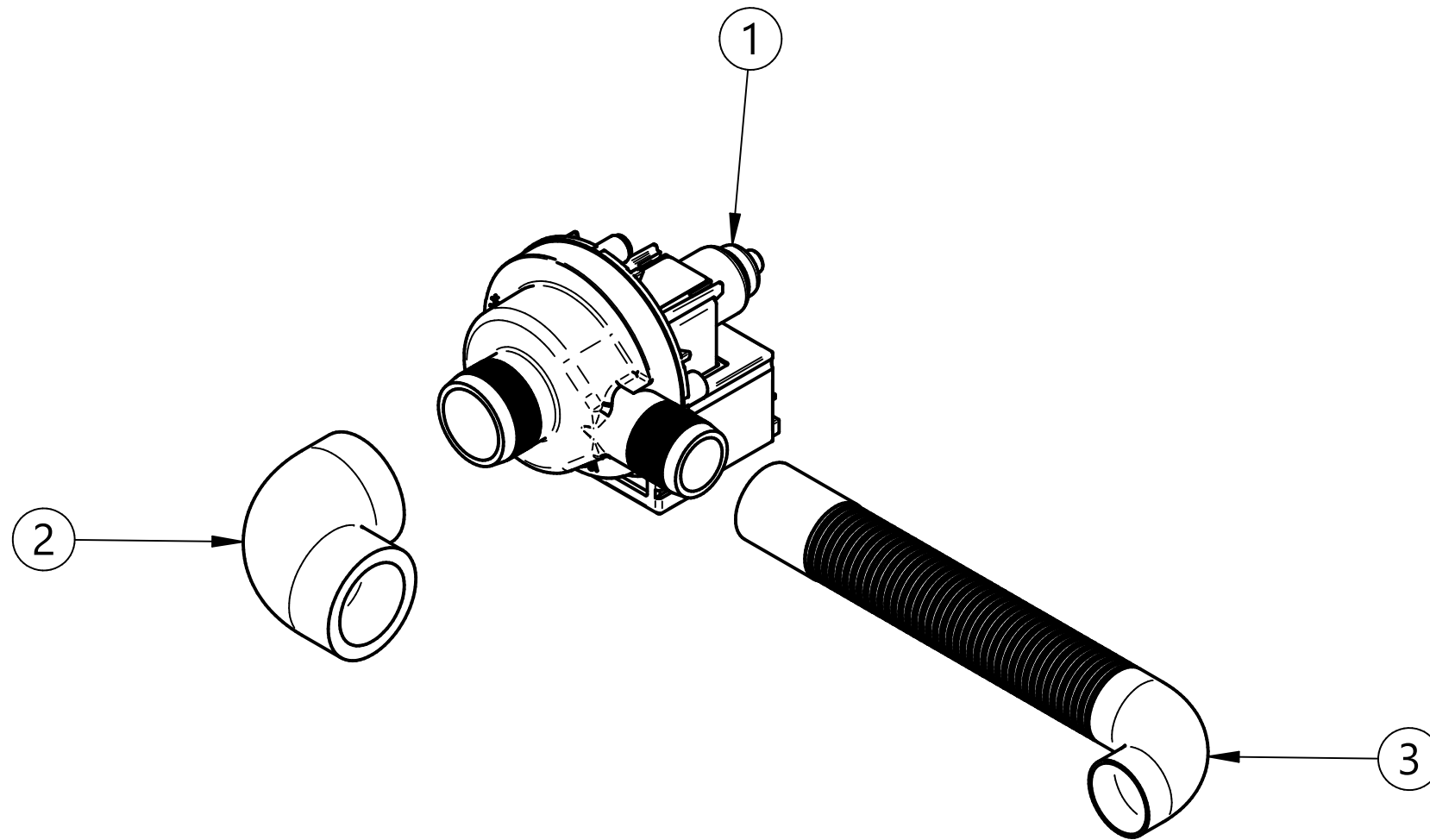
SOFTNER



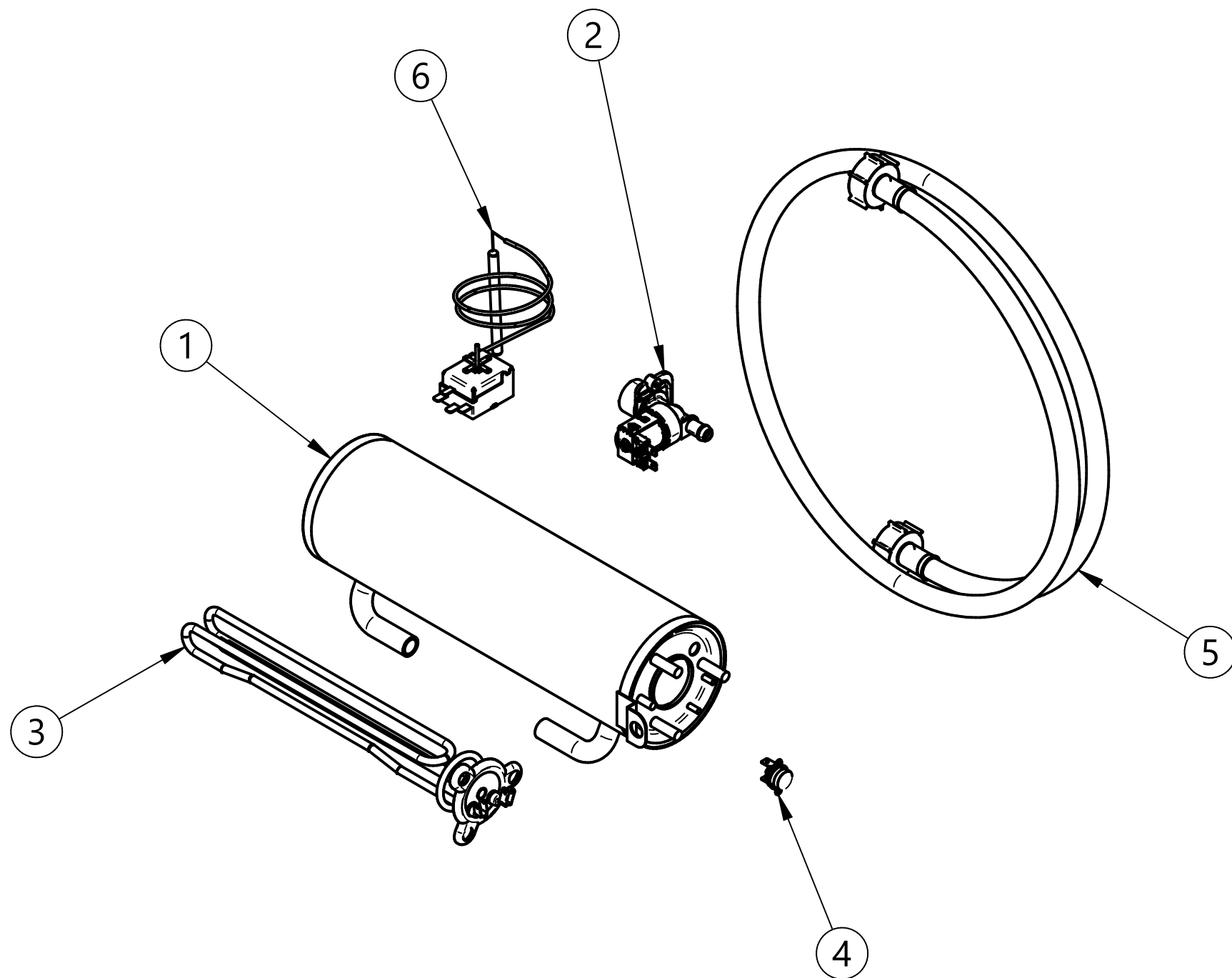
| Item number | Code | Description | Quantity |
|-------------|----------|--|----------|
| 1 | 901794_A | SALT TNAK WITH SENSOR | 1 |
| 2 | 901897_A | SALT FUNNEL | 1 |
| 3 | 902150_A | 4-COLUMN DESCALER | 1 |
| 4 | 902401_A | 2 WAYS ELECTROVALVE ϕ 10 WITH RED REDUCER | 1 |
| 5 | 902830_A | SALT TANK RING | 1 |
| 6 | 903340_A | SALT TANK SEALER | 1 |
| 7 | 906418_A | SALT TANK CAP | 1 |

DRAIN PUMP

| Item number | Code | Description | Quantity |
|-------------|----------|--|----------|
| 1 | 903269_A | DRAIN PUMP 220V 50HZ 30W Type P25 | 1 |
| 2 | 903672_A | SLEEVE FOR DRAIN PUMP E45-E50-N650-N750 | 1 |
| 3 | 907439_A | DRAIN PIPE ϕ 19 90° 2000MM PS | 1 |



BOILER



| Item number | Code | Description | Quantity |
|-------------|----------|--|----------|
| 1 | 900326_A | BOILER E40-E40H + RES.2.8KW ϕ 125 | 1 |
| 2 | 902390_A | 1-WAY ELECTROVALVE ϕ 10 | 1 |
| 3 | 905497_A | BOILER RESIST. 2.8KW 230V +OR | 1 |
| 4 | 907297_A | SAFETY THERMOSTAT 110° PAD | 1 |
| 5 | 907348_A | CHARGING PIPE 90° 1500MM S 800 HW | 1 |
| 6 | TR0440_A | BOILER THERMOSTAT 0/90 DISHWASHER | 1 |