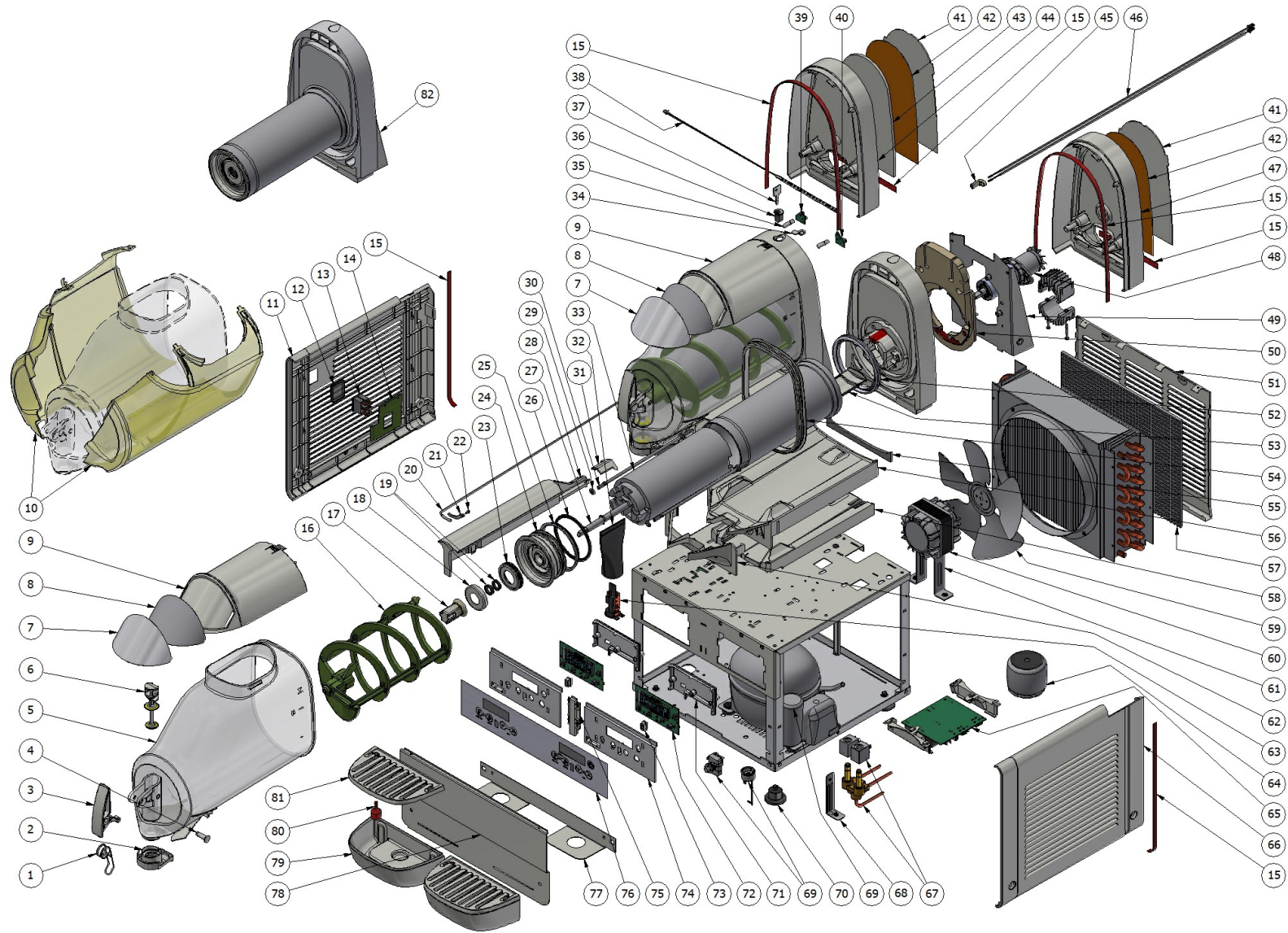


MiniGEL



MiniGEL

Pos.	Code	Description	Package quantity
82	3Q000-00101	EVAPORATOR ASSEMBLY 6L	1
82	3Q000-00102	EVAPORATOR ASSEMBLY GRANITORE MG 6	1
82	3Q000-00111	EVAPORATOR ASSEMBLY 6LT HD LIGHTED VERSION	1
82	3Q000-00112	EVAPORATOR ASSEMBLY GRANITORE MG 6 BLACK	1
81	2Q000-01100	DRIP TRAY COVER	2
81	2Q000-01101	DRIP TRAY COVER BLACK	2
80	22900-06300	FLOAT FOR MAX LEVEL	5
79	2Q000-01200	DRIP TRAY	1
79	2Q000-01201	DRIP TRAY BL	1
78	2Q000-03200	FRONT PANEL 6/10.1 WHITE	1
78	2Q000-03261	FRONT PANEL B-FROZEN 1 BLACK	1
78	2Q000-03260	FRONT PANEL B-CREAM 1	1
78	2Q000-03210	FRONT PANEL B-FROZEN 2 WHITE	1
78	2Q000-03271	FRONT PANEL B FROZEN 2 BLACK	1
78	2Q000-03270	FRONT PANEL B CREAM 2	1
78	2Q000-03220	FRONT PANEL B-FROZEN 3 WHITE	1
78	2Q000-03281	FRONT PANEL B-FROZEN 3 BLACK	1
78	2Q000-03280	DISPENSING SIDE PANEL	1
77	2Q000-05400	DRIP TRAY SUPPORT	1
77	2Q000-05411	DRIP TRAY SUPPORT BL	1

MiniGEL

Pos.	Code	Description	Package quantity
77	2Q000-05421	BRACKET FOR DRIP TRAY SUPPORT BLACK	1
76	2Q000-04471-999	*****	1
76	2Q000-04472-999	B-CREAM KEYBOARD STICKER 2BOWLS	1
75	2Q000-01310	CONNECTING PLATE FOR DISPLAY BOARD SUPPORT	1
75	2Q000-01311	CONNECTING PLATE FOR DISPLAY BOARD SUPPORT	1
74	2Q000-01301	SUPPORT DISPLAY CARD	1
74	2Q000-01302	SUPPORT DISPLY CARD	1
73	2Q000-01390	CUP SENSOR HOLDER	1
72	2Q000-01401	MASTER DISPLAY CARD	1
71	2Q000-04501	COVER FOR DISPLAY CARD SUPPORT	1
71	2Q000-04502	COVER FOR DISPLAY CARD SUPPORT	1
70	22800-10000	RUBBER LEG	10
70	22800-04100	4" UL RUBBER LEG	4
69	[[COMPRESSOR START RELAY	0
69	[[[COMPRESSOR MOTOR PROTECTOR	0
69	[[[[COMPRESSOR CONDENSER	0
68	10028-01002	FIXING BRACKET A	1
67	22800-23745	SOLENOID VALVE COIL 230-240V 50HZ OLAB	2
67	22800-23748	SOLENOID VALVE COIL 230/240V 50HZ CEME	2
67	22800-23746	SOLENOID VALVE COIL 115/60 OLAB	2

MiniGEL

Pos.	Code	Description	Package quantity
67	22800-23749	SOLENOID VALVE COIL 115/60	2
67	22800-23733	SOLENOID VALVE BODY 1WAY OLAB	1
67	22800-23734	SOLENOID VALVE BODY 1WAY CEME	1
67	22800-23735	2-WAYS VALVE BODY ?10mm OLAB	1
67	22800-23738	2-WAY VALVE BODY ?10mm CEME	1
67	22800-23736	3 WAY VALVE BODY ?10mm OLAB	1
67	22800-23739	3 WAY VALVE BODY ?10mm CEME	1
66	3U000-08000	RIGHT SIDE PANEL NG 6/10	1
66	3U000-08001	RIGHT SIDE PANEL NG 6/10	1
65	2Q000-02910	POWER BOARD MASTER 6 L	1
65	2Q000-02911	POWER BOARD SLAVE	1
64	2Q000-02810	TRANSFORMER 230/23- 10V 100VA	1
64	2Q000-02811	TRANSFORMER	1
64	2Q000-02812	TRANSFORMER	1
63	22800-05500	TERMINAL BLOCK WITH CABLE CLAMP	3
62	2Q000-00900	COVER FOR DRAINING	2
62	2Q000-00901	BLACK COVER FOR DRAINING	2
61	21679-00000	FAN MOTOR BRACKET	1
60	22800-07600	FAN MOTOR WITH BRACKET 230V 50/60HZ	1
60	33800-00600	FAN MOTOR 220-240V 50-60Hz 1P,2,3 BOWLS	1

MiniGEL

Pos.	Code	Description	Package quantity
60	22800-07601	MOTOR FOR FAN WITH BRACKET 115/60 HT20/1	1
60	33800-00601	FAN MOTOR 16W 115V 60HZ	1
59	22800-13200	? 230 mm SPECIAL SUCTION FAN 60 HZ	2
58	2Q000-06200	INSULATION FOR UPPER DRIP TRAY	1
57	2Q000-07600	CONDENSER FILTER 1 BOWL MACHINE	1
57	2Q000-07610	CONDENSER FILTER 2 BOWLS	1
57	2Q000-07620	CONDENSER FILTER 3 BOWLS	1
56	2Q000-00400	UPPER DRIP PLATE	1
56	2Q000-00402	UPPER DRIP PLATE	1
55	2Q000-05800	INSULATING BETWEEN EVAP.SUPPORT AND CONDENSATE COLLECTOR TRAY	1
54	2Q000-05100	BOWL GASKET 6L	5
53	2Q000-02600	EVAPORATOR IMPURITIES COLLECTOR TRAY	1
52	22700-00100	EVAPORATOR BACK GASKET	2
51	2Q000-03301	OPPOSITE FAUCET SIDE PANEL 1V	1
51	2Q000-03302	OPPOSITE FAUCET SIDE PANEL 1V	1
51	2U000-03700	OPPOSITE FAUCET SIDE PANEL 1V	1
51	2U000-03701	OPPOSITE FAUCET SIDE PANEL 1V	1
51	2U000-03800	OPPOSITE FAUCET SIDE PANEL 3V	1
51	2U000-03801	OPPOSITE FAUCET SIDE PANEL 3V	1
50	2Q000-06010	REAR WALL INSULATION	1

MiniGEL

Pos.	Code	Description	Package quantity
49	2U000-09800	REAR WALL SUPPORT	1
48	3Q000-05080	GEARMOTOR HD MODEL	1
48	3Q000-00081	GEARMOTOR 24V - 2013 VERSION(NO HD)	1
47	2Q000-01800	REAR COVER	1
47	2Q000-01802	REAR COVER	1
46	2Q000-03500	REED PROXIMITY SENSOR	1
45	2U000-14300	REED SENSOR HOLDER AF	2
44	2Q000-01810	LIGHT REAR COVER	1
44	2Q000-01812	LIGHT REAR COVER	1
43	2Q000-07000	LIGHTED BACK SCREEN	1
42	2Q000-04302	REAR COVER PICTURE PICTURE FOR REAR WALL COVER	10
41	2Q000-04200	REAR COVER PICTURE SCREEN	10
40	2U000-05600	RIGHT LED BOARD	1
39	2U000-05610	LEFT LED BOARD	1
38	2Q000-07100	LIGHTED STRIP FOR BACK COVER	1
37	22805-02360	KEY	1
36	22805-02210	LOCK FOR TOP COVER	1
35	2Q000-08500	MAGNIFIER FOR LEDS	1
34	2Q000-05000	LEVER FOR LOCK	1
33	2Q000-06600	INSULATION FOR EVAPORATOR	1

MiniGEL

Pos.	Code	Description	Package quantity
32	22800-12701	TERMINAL BLOCK PROTECTION	5
31	2Q000-08310	BACK CAP BEAM	1
31	2Q000-08311	BACK CAP BEAM	1
30	2Q000-06700	TIE-ROD FOR EVAPORATOR ICE CREAM MACHINE	1
29	10522-26000	PLAIN WASHER	1
28	2Q000-08300	PLASTIC BEAM FOR CONNECTION	1
28	2Q000-08301	PLASTIC BEAM FOR CONNECTION BLACK	1
27	2Q000-03700	EXTENSION FOR MOTOR SHAFT	1
26	22700-02300	ROTOR HOUSING O-RING	2
25	22700-00000	FRONT GASKET EVAPORATOR	2
24	2Q000-02000	EVAPORATOR CAP	1
23	2Q000-06300	GASKET FOR EVAPORATOR PLUG CAP	1
22	10511-12909	CROSS SCREW 2,9 x 9,5	1
21	22700-01001	TEMPERATURE PROBE HOLDER	2
20	22700-02900	TEMPERATURE PROBE	2
19	22800-22615	? 20 mm SEALING RING	5
18	2Q000-06400	CAP FOR EVAPORATOR PLUG	1
17	2Q000-01900	HEXAGONAL COUPLING FOR SHAFT	2
16	2Q000-02500	MIXER	2
16	2Q000-02501	MIXER	2

MiniGEL

Pos.	Code	Description	Package quantity
15	3V000-04000	STICKERS KIT	1
15	3V000-04100	STICKERS KIT	1
15	3V000-04200	STICKERS KIT	1
14	2Q000-09810	*****	1
13	2W000-00801	2-POSITION SWITCH	1
12	2W000-00890	SWITCH CAP	1
11	3U001-07030	LEFT SIDE PANEL	1
11	3U001-07031	LEFT SIDE PANEL	1
10	2Q000-00782	KIT ENERGY RECOVER	1
9	2Q000-00801	TOP COVER WITH MAGNET	1
9	2Q000-00804	BLACK TOP COVER WITH MAGNET	1
8	2Q000-04102	PICTURE FOR TOP COVER	10
7	2Q000-04000	TRANSPARENT COVER FOR PICTURE 6L	3
6	2Q000-01600	FAUCET PISTON	2
5	2Q000-00791	BOWL 6 LT	1
4	2Q000-05300	WHITE PIN FOR FAUCET LEVER	5
4	2Q000-05301	BLACK PIN FOR FAUCET LEVER	5
4	2Q000-05302	RED PIN FOR FAUCET LEVER	5
4	2Q000-05362	GREEN PIN FOR FAUCET LEVER	5
3	2Q000-01500	FAUCET HANDLE MINIGEL	2

MiniGEL

Pos.	Code	Description	Package quantity
3	2Q000-01501	BLACK FAUCET HANDLE 6/10 L	2
3	2Q000-01502	FAUCET HANDLE	2
2	2Q000-01000	RESTRICTOR CAP FOR MINIGEL	2
2	2Q000-01001	RESTRICTOR CAP BLACK 6L	2
1	2Q000-02100	FAUCET SPRING	2