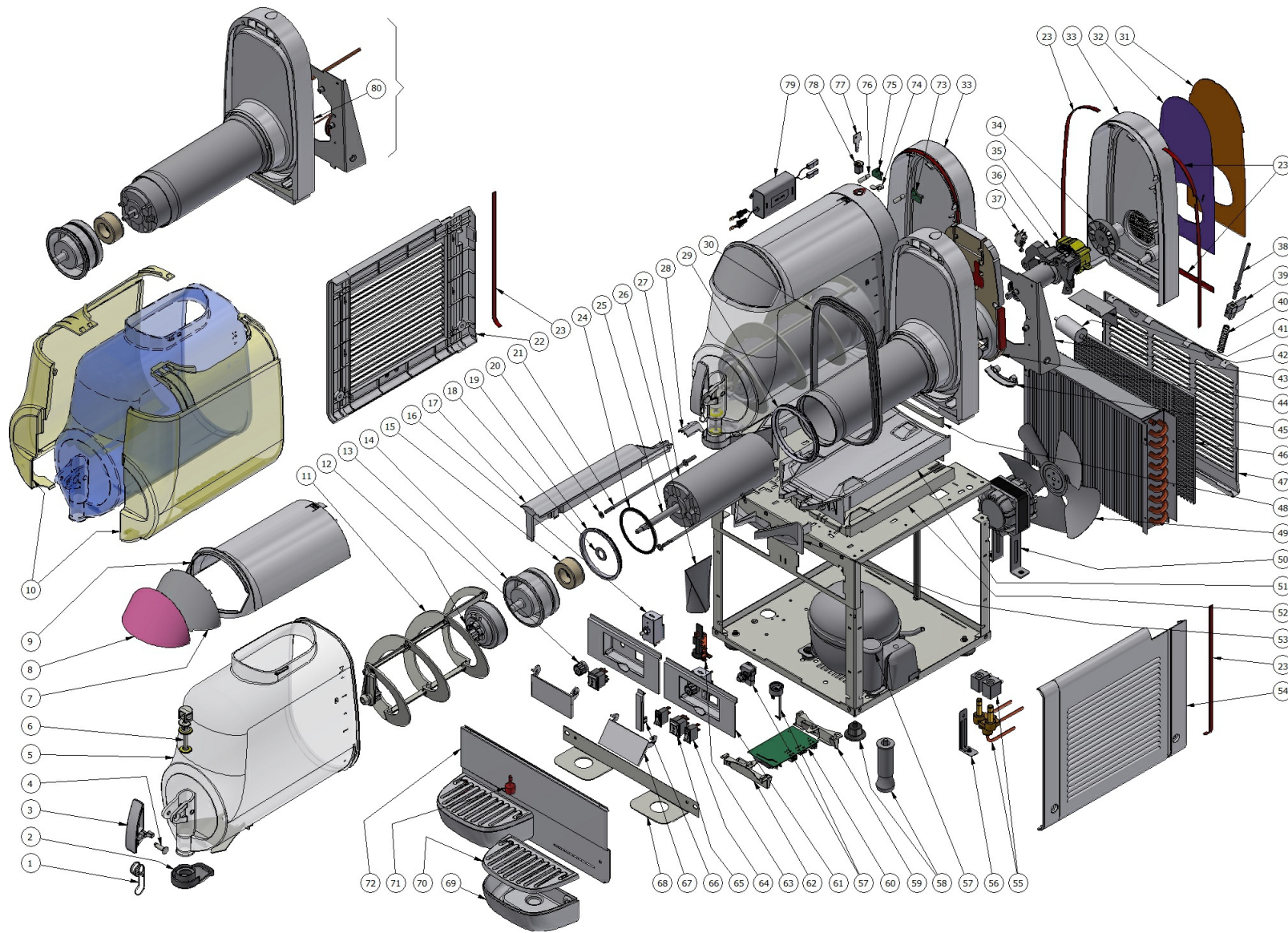


NG EASY - 10LT



NG EASY - 10LT

Pos.	Code	Description	Package quantity
80	3U000-00210	EVAPORATOR ASSEMBLY GRANITORE MGR10	1
80	3U000-00211	EVAPORATOR ASSEMBLY GRANITORE MGR10	1
80	3U000-00200	EVAPORATOR ASSEMBLY GRANITORE MGR10	1
80	3U000-00201	EVAPORATOR ASSEMBLY GRANITORE MGR10	1
79	2Q000-04602	POWER SUPPLY 25W-12V	1
78	22805-02210	LOCK FOR TOP COVER	1
77	22805-02360	KEY	1
76	2Q000-08500	MAGNIFIER FOR LEDS	1
75	2U000-05610	LEFT LED BOARD	1
74	2Q000-05000	LEVER FOR LOCK	1
73	2U000-05600	RIGHT LED BOARD	1
72	2Q000-03200	FRONT PANEL 6/10.1 WHITE	1
72	2Q000-03261	FRONT PANEL B-FROZEN 1 BLACK	1
72	2Q000-03260	FRONT PANEL B-CREAM 1	1
72	2Q000-03210	FRONT PANEL B-FROZEN 2 WHITE	1
72	2Q000-03271	FRONT PANEL B FROZEN 2 BLACK	1
72	2Q000-03270	FRONT PANEL B CREAM 2	1
72	2Q000-03220	FRONT PANEL B-FROZEN 3 WHITE	1
72	2Q000-03281	FRONT PANEL B-FROZEN 3 BLACK	1
72	2Q000-03280	DISPENSING SIDE PANEL	1

NG EASY - 10LT

Pos.	Code	Description	Package quantity
71	22900-06300	FLOAT FOR MAX LEVEL	5
70	2Q000-01100	DRIP TRAY COVER	2
70	2Q000-01101	DRIP TRAY COVER BLACK	2
69	2Q000-01200	DRIP TRAY	1
69	2Q000-01201	DRIP TRAY BL	1
68	2Q000-05400	DRIP TRAY SUPPORT	1
68	2Q000-05411	DRIP TRAY SUPPORT BL	1
68	2Q000-05421	BRACKET FOR DRIP TRAY SUPPORT BLACK	1
67	2U000-10300	SWITCH PANEL COVER	1
67	2U000-10301	BLACK SWITCH PANEL COVER	1
66	2U000-10400	JUNCTION	1
66	2U000-10401	BLACK JUNCTION	1
65	22800-24200	3-POSITIONS SWITCH	3
64	22800-24302	2-POSITION SWITCH	3
63	22800-05500	TERMINAL BLOCK WITH CABLE CLAMP	3
62	2Q000-03900	RIGHT HOLDER FOR POWER BOARD	1
61	2U000-09100	3 SWITCH BOX (3 SWITCH)	1
61	2U000-09101	3 BLACK SWITCH BOX (3 SWITCH)	1
61	2U000-09110	1 SWITCH BOX (1 SWITCH)	1
61	2U000-09111	1 BLACK SWITCH BOX (1 SWITCH)	1

NG EASY - 10LT

Pos.	Code	Description	Package quantity
61	2U000-09120	2 SWITCH BOX (2 SWITCH)	1
61	2U000-09121	BLACK SWITCH PANEL	1
60	22700-00600	DELAY ELECTRONIC DEVICE	1
60	2U000-12300	DELAY ELECTRONIC DEVICE B-FROZEN SMART 2/3 BOWLS	1
59	2Q000-03910	LEFT HOLDER FOR POWER BOARD	1
58	22800-10000	RUBBER LEG	10
58	22800-04100	4" UL RUBBER LEG	4
57	[[COMPRESSOR START RELAY	0
57	[[[COMPRESSOR MOTOR PROTECTOR	0
57	[[[[COMPRESSOR CONDENSER	0
56	10028-01002	FIXING BRACKET A	1
55	22800-23745	SOLENOID VALVE COIL 230-240V 50HZ OLAB	2
55	22800-23748	SOLENOID VALVE COIL 230/240V 50HZ CEME	2
55	22800-23746	SOLENOID VALVE COIL 115/60 OLAB	2
55	22800-23749	SOLENOID VALVE COIL 115/60	2
55	22800-23733	SOLENOID VALVE BODY 1WAY OLAB	1
55	22800-23734	SOLENOID VALVE BODY 1WAY CEME	1
55	22800-23735	2-WAYS VALVE BODY ?10mm OLAB	1
55	22800-23738	2-WAY VALVE BODY ?10mm CEME	1
55	22800-23736	3 WAY VALVE BODY ?10mm OLAB	1

NG EASY - 10LT

Pos.	Code	Description	Package quantity
55	22800-23739	3 WAY VALVE BODY ?10mm CEME	1
54	3U000-08000	RIGHT SIDE PANEL NG 6/10	1
54	3U000-08001	RIGHT SIDE PANEL NG 6/10	1
53	2Q000-00900	COVER FOR DRAINING	2
53	2Q000-00901	BLACK COVER FOR DRAINING	2
52	2Q000-06200	INSULATION FOR UPPER DRIP TRAY	1
51	2Q000-00400	UPPER DRIP PLATE	1
51	2Q000-00402	UPPER DRIP PLATE	1
50	22800-07600	FAN MOTOR WITH BRACKET 230V 50/60HZ	1
50	22800-07601	MOTOR FOR FAN WITH BRACKET 115/60 HT20/1	1
50	33800-00600	FAN MOTOR 220-240V 50-60Hz 1P,2,3 BOWLS	1
50	33800-00600	FAN MOTOR 220-240V 50-60Hz 1P,2,3 BOWLS	1
50	33800-00600	FAN MOTOR 220-240V 50-60Hz 1P,2,3 BOWLS	1
50	33800-00601	FAN MOTOR 16W 115V 60HZ	1
49	22800-13200	? 230 mm SPECIAL SUCTION FAN 60 HZ	2
48	2Q000-05800	INSULATING BETWEEN EVAP.SUPPORT AND CONDENSATE COLLECTOR TRAY	1
47	2Q000-03301	OPPOSITE FAUCET SIDE PANEL 1V	1
47	2Q000-03302	OPPOSITE FAUCET SIDE PANEL 1V	1
47	2Q000-03700	EXTENSION FOR MOTOR SHAFT	1
47	2U000-03701	OPPOSITE FAUCET SIDE PANEL 1V	1

NG EASY - 10LT

Pos.	Code	Description	Package quantity
47	2U000-03800	OPPOSITE FAUCET SIDE PANEL 3V	1
47	2U000-03801	OPPOSITE FAUCET SIDE PANEL 3V	1
46	2Q000-07600	CONDENSER FILTER 1 BOWL MACHINE	1
46	2Q000-07610	CONDENSER FILTER 2 BOWLS	1
46	2Q000-07620	CONDENSER FILTER 3 BOWLS	1
45	2U000-05910	THERMOSTAT HOLDER	1
44	2U000-05120	REAR WALL INSULATION NG/B-FROZEN 10	1
43	2U000-09820	*****	1
42	2U000-09990	CAPACITOR 1,5MF	1
42	2U000-09990	CAPACITOR 1,5MF	1
42	2U000-09991	CAPACITOR 6 ?F	1
41	2U000-13200	*****	1
40	2U000-13000	DENSITY REGULATION SPRING	1
39	2U000-09700	SHAPED NUT	1
38	2U000-10010	DENSITY REGURLATION SCREW B.FROZEN 10	1
37	2U000-10110	MICROSWITCH 6-10L R290	1
36	2U000-09000	MOTOR SUPPORT	1
35	3U000-09680	INDUCTION MOTOR 230V/50HZ 6/10 L	1
35	3U000-09681	INDUCTION MOTOR 115/60 SMART 6/10 L	1
35	3U000-09682	INDUCTION MOTOR 220/60	1

NG EASY - 10LT

Pos.	Code	Description	Package quantity
34	2U000-09030	FAN	1
33	2U000-09400	RWAR COVER 10 LT	1
33	2U000-09401	BLACK REAR COVER 10 LT	1
32	2U000-11000	10 LT REAR COVER PICTURE	1
31	2U000-11100	REAR COVER PICTURE SCREEN	10
30	2U000-00500	BOWL GASKET 10L	5
29	22700-00100	EVAPORATOR BACK GASKET	2
28	2Q000-08310	BACK CAP BEAM	1
28	2Q000-08311	BACK CAP BEAM	1
27	2U000-02400	EVAPORATOR INSULATING MATERIAL	1
26	22800-12701	TERMINAL BLOCK PROTECTION	5
26	2U000-00650	EXTENSION FOR MOTOR SHAFT	1
25	2U000-10210	EXTENTION MOTOR SHAFT 10L	1
24	22700-02300	ROTOR HOUSING O-RING	2
23	3U000-09000	STICKERS KIT	1
23	3U000-09100	STICKERS KIT	1
22	3U000-07000	LEFT SIDE PANEL	1
22	3U000-07001	LEFT SIDE PANEL	1
21	2U000-00700	BOLT FOR EVAP.FROZ.BEV.DISP FOR MGR 10/6	1
20	10522-26000	PLAIN WASHER	1

NG EASY - 10LT

Pos.	Code	Description	Package quantity
19	22700-00000	FRONT GASKET EVAPORATOR	2
18	10028-02805	INNER ROTOR WASHER	10
17	2Q000-08300	PLASTIC BEAM FOR CONNECTION	1
17	2Q000-08301	PLASTIC BEAM FOR CONNECTION BLACK	1
17	2Q000-08390	PLASTIC BEAM FOR CONNECTION	1
16	21087-00011	THERMOSTAT FOR GRANITA MACHINE	2
15	33800-09611	INNER ROTOR	1
14	22700-00500	ROTOR HOUSING FOR EVAPORATOR	1
13	22800-14500	GREY THERMOSTAT KNOB	5
12	3R000-00500	OUTSIDE MAGNETIC ROTOR ASSEMBLY	2
11	2U000-00910	MIXER	1
10	2U000-06001	*****	1
9	2U000-01000	COVER	1
9	2U000-01002	BLACK COVER	1
8	2U000-02010	TOP COVER PICTURE	3
7	2U000-02100	PICTURE SCREEN	3
6	2Q000-01600	FAUCET PISTON	2
5	2U000-00090	BOWL - NG 10L	1
4	2Q000-05300	WHITE PIN FOR FAUCET LEVER	5
4	2Q000-05301	BLACK PIN FOR FAUCET LEVER	5

NG EASY - 10LT

Pos.	Code	Description	Package quantity
4	2Q000-05302	RED PIN FOR FAUCET LEVER	5
4	2Q000-05362	GREEN PIN FOR FAUCET LEVER	5
3	2Q000-01500	FAUCET HANDLE MINIGEL	2
3	2Q000-01501	BLACK FAUCET HANDLE 6/10 L	2
3	2Q000-01502	FAUCET HANDLE	2
3	2Q000-01500-503	FAUCET HANDLE MINIGEL	2
2	2U000-00800	RIGHT CONDENSATION COLLECTOR	1
2	2U000-00801	BLACK CONDENSATION COLLECTING RING FOR 10 LT	1
1	2Q000-02100	FAUCET SPRING	2